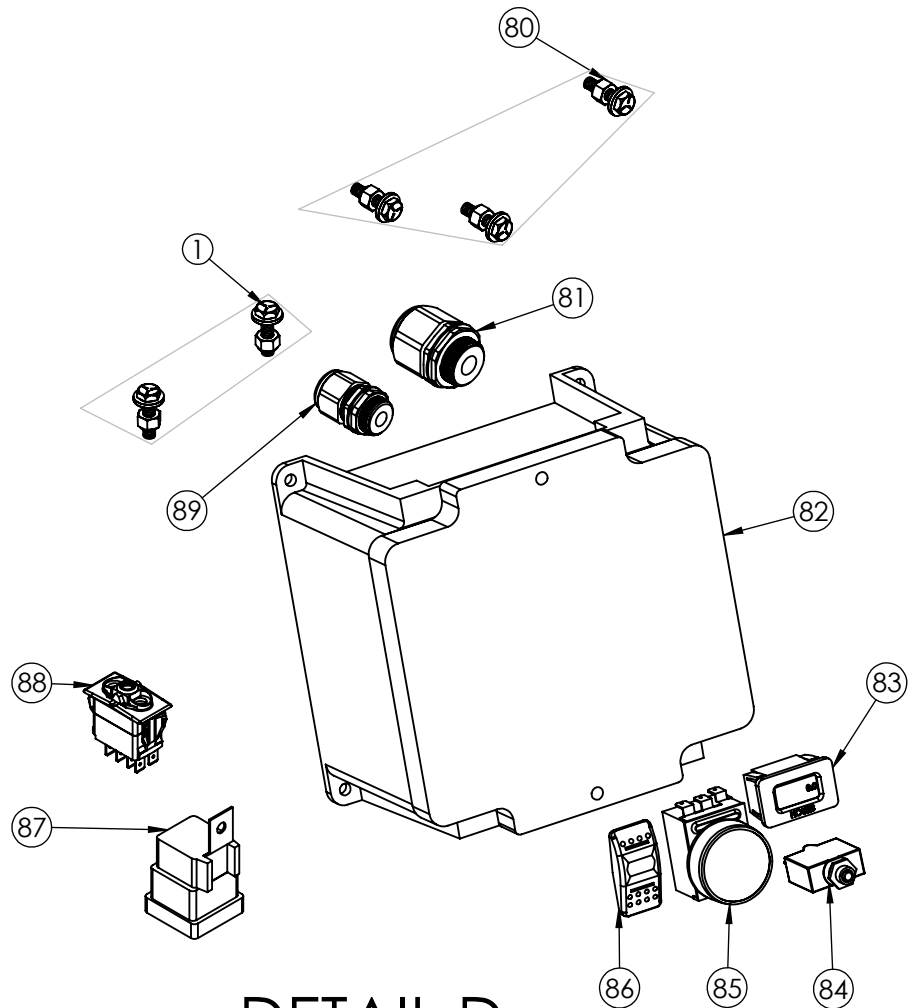
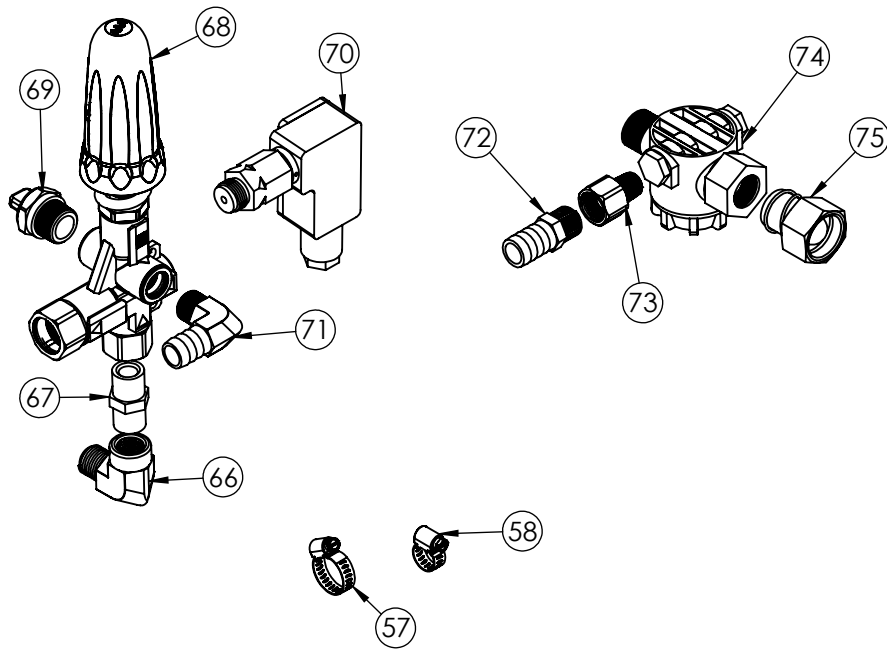


DETAIL C



DETAIL D

| ITEM NO. | PART NUMBER | DESCRIPTION | QTY. |
|----------|-------------|---|------|
| 1 | 7109417 | EVAP. CANISTER HARDWARE KIT | 1 |
| 2 | 7109024 | EVAPORATIVE CARBON CANISTER | 1 |
| 3 | 7108642 | HOSE BARB, 1/4" X 1/2" | 1 |
| 4 | 7109410 | HEATER COIL HARDWARE KIT | 1 |
| 5 | 7108952 | ASSY, COIL TANK | 1 |
| 6 | 7101781 | GASKET, BURNER | 2 |
| 7 | 7114881 | BURNER SERVICE ASSEMBLY | 1 |
| 8 | 7109006 | BURNER | 1 |
| 9 | 7100423 | 1/4" HOSE BARB x 1/4" NPTM | 1 |
| 10 | 7100284 | ELBOW HOSE BARB BRASS 1/4 MPT X 1/4 HB | 3 |
| 11 | 7105659 | FUEL CAP NON-VENTED | 1 |
| 12 | 7109025 | FUEL PICK UP TUBE | 2 |
| 13 | 7100551 | LANCE, 48", INSULATED, 1/4" MPT X 1/4" | 1 |
| 14 | 7107495 | HOSE, 3/8" x 50' | 1 |
| 15 | 7103708 | CHEMICAL HOSE KIT | 1 |
| 16 | 7100020 | PLUG, 3/8" QC X 3/8" NPT(F) | 1 |
| 17 | 7111619 | CHEMICAL INJECTOR, FIXED, GP | 1 |
| 18 | 7100019 | COUPLER, 3/8" QC(F) X 3/8" NPT(F) | 2 |
| 19 | 7102045 | TOOL, NOZZLE CLEANING, UNIVERSAL | 1 |
| 20 | 7108134 | GUN | 1 |
| 21 | 7102372 | NIPPLE, 3/8" NPTM x 3" SCH. 80 | 1 |
| 22 | 7100353 | REDUCER 1/2" NPTM x 3/8" NPTF | 1 |
| 23 | 7101261 | TEE, HYDRAULIC 1/2" NPTF | 2 |
| 24 | 7111254 | 1/2" ELBOW HYDRAULIC STREET 45 | 1 |
| 25 | 7103522 | RELIEF VALVE, 1/2" NPTM x 1/4" HB 4000PSI | 1 |
| 26 | 7111197 | DIESEL TANK LARGE BLACK | 1 |
| 27 | 7103585 | BRASS PLUG, 1/2 NPT-M SOCKET HEAD | 4 |
| 28 | 7111284 | PAINTED TANK ADAPTOR BRACKET | 2 |
| 29 | 7114869 | FUEL TANK MOUNTING HARDWARE | 2 |
| 30 | 7100189 | FUEL CAP CHROME VENTED | 1 |
| 31 | 7100337 | FUEL FILTER | 1 |
| 32 | 7111196 | GAS TANK LARGE RED | 1 |
| 33 | 7111575 | PAINTED SIDE COIL GUARD, BLACK | 2 |
| 34 | 7109407 | 3/8-16 X 3/4" HARDWARE KIT (QTY. 4) | 4 |
| 35 | 7101598 | NOZZLE, 6.0 X 25° GREEN 1/4 QC-M | 1 |

| ITEM NO. | PART NUMBER | DESCRIPTION | QTY. |
|----------|-------------|---------------------------------------|------|
| 36 | 7101729 | NOZZLE, 6.0-40°, WHITE 1/4 QC-M | 1 |
| 37 | 7101722 | NOZZLE, 6.0-15° YELLOW 1/4 QC-M | 1 |
| 38 | 7100668 | NOZZLE, SOAP, BRASS #40 X 65° 1/4 QC | 1 |
| 39 | 7106833 | HOLDER, NOZZLE SINGLE | 4 |
| 40 | 7109408 | VIBRATION DAMPING HARDWARE KIT | 1 |
| 41* | SEE PAGE 7 | SUBFRAME | 1 |
| 42 | 7100151 | BATTERY BOX W/ STRAP | 1 |
| 43 | 7103701 | HARDWARE KIT,ENGINE | 1 |
| 44 | 7111743 | PAINTED FRONT BELT GUARD | 1 |
| 45 | 7102308 | BX43 BELT, 21/32" x 46" | 1 |
| 46 | 7100173 | BUSHING, H x 1 | 1 |
| 47 | 7100174 | BUSHING, H x 24MM | 1 |
| 48 | 7101012 | PULLEY 2B36H | 1 |
| 49 | 7101007 | PULLEY 2BK90H | 1 |
| 50 | 7111742 | PAINTED REAR BELT GUARD | 1 |
| 51 | 7100522 | KEY | 1 |
| 52 | N/A | ENGINE, VANGUARD 18HP | 1 |
| 53 | 7103701 | HARDWARE KIT, ENGINE | 1 |
| 54 | 7111228 | HOSE FUEL LINE 1/2" | .75 |
| 55 | 7100432 | HOSE, FUEL LINE, 1/4" | 10 |
| 56 | 7108640 | COUPLER, HOSE 1/4" TO 3/16", BARB | 1 |
| 57 | 7100203 | HOSE CLAMP 5/8 W/ SET SCREW | 2 |
| 58 | 7100201 | CLAMP, HOSE 1/4 #4 SS | 13 |
| 59 | 7111334 | PAINTED AXALIGN RAIL | 1 |
| 60 | 7114864 | AXIALIGN RAIL AND SLIDE KIT | 1 |
| 61 | 7111335 | PAINTED AXALIGN PUMP FOOT BRACKET | 1 |
| 62 | 7111744 | PAINTED AXALIGN GUARD BRACKET | 1 |
| 63 | 7105574 | PUMP, COMET RW5535S 3500PSI @ 5.5GPM | 1 |
| 64 | 7112338 | BASE PLATE HARDWARE KIT | 1 |
| 65 | 7103245 | UNLOADER TO COIL HOSE 3/8" X 20" SWVL | 1 |
| 66 | 7100287 | ELBOW, 3/8" NPTM x 3/8" NPTF | 3 |
| 67 | 7100621 | NIPPLE 3/8 X 3/8 HEXSTEEL | 1 |
| 68 | 7110826 | UNLOADER- P1 3600 PSI | 1 |
| 69 | 7101331 | VALVE, THERMAL, 1/2" NPT | 1 |
| 70 | 7200234 | SWITCH, PRESSURE, 3/8" M | 1 |

| ITEM NO. | PART NUMBER | DESCRIPTION | QTY. |
|----------|-------------|--|------|
| 71 | 7105768 | ELBOW, 5/8" HOSE BARB x 3/8" NPTM | 1 |
| 72 | 7100427 | HOSEBARB 5/8HB X 3/8MPT BRASS | 1 |
| 73 | 7100041 | ADAPTER 3/8" FNPT x 1/4" MNPT | 1 |
| 74 | 7102176 | WATER FILTER GREEN CAP | 1 |
| 75 | 7100051 | INLET FITTING, 3/4GHT X 1/2NPTM | 1 |
| 76 | 7109406 | FOOT HARDWARE KIT | 4 |
| 77 | 7108944 | PAINTED SKID FOOT, BOLT ON, BLACK | 4 |
| 78 | 7109246 | PAINTED FRAME | 1 |
| 79 | 7110037 | HOSE EPDM RUBBER 5/8 ID | 3 |
| 80 | 7109418 | ELECTRICAL BOX MOUNTING HARDWARE | 1 |
| 81 | 7108345 | CORD GRIP, BLACK | 1 |
| 82 | 7108940 | ELECTRICAL BOX, PVC, NEMA 4 | 1 |
| 83 | 7107456 | HOUR METER, 277V AC/DC DIGITAL | 1 |
| 84 | 7108740 | CIRCUIT BREAKER, 12VDC | 1 |
| 85 | 7101283 | THERMOSTAT, PANEL MOUNT | 1 |
| 86 | 7108736 | ACTUATOR, ROCKER SWITCH, RED LENSE | 1 |
| 87 | 7108739 | RELAY, SPDT, 12VDC | 1 |
| 88 | 7108735 | ROCKER SWITCH, ON-OFF, DPST, 12VDC-20A | 1 |
| 89 | 7108964 | CORD GRIP, COMPACT PLASTIC, SUBMERSIBLE | 3 |
| 90 | 7109685 | SCREW KIT, COIL COVER HARDWARE KIT | 1 |
| 91 | 7108878 | SHELL, HEATER TOP | 1 |
| 92 | 7108879 | SHELL, HEATER BOTTOM | 1 |
| 93 | 7101543 | DURABLANKET 1"x24"x25' | 1 |
| 94 | 7108942 | HEAD PLATE, 18" COIL, BLACK | 1 |
| 95 | 7100006 | INSULATION HARD DISC (#6) 1/2" x 18" DIA | 1 |
| 96 | 7100210 | HEATER COIL - COBALT SKID | 1 |
| 97 | 7100619 | NIPPLE, 1/2" NPTM X 6" SCH. 80 | 2 |
| 98 | 7108953 | DOMED HEAD, 18", PTD BLACK | 1 |