



**WARNING:** To reduce the risk of injury, read the pressure washer instruction manual and the engine instruction manual before operating pressure washer.



**IF YOU EXPERIENCE ANY ISSUES WITH YOUR PRESSURE WASHER, WE ARE HERE TO HELP YOU.**

Visit our website [www.SimpsonCleaning.com](http://www.SimpsonCleaning.com) or call 1-877-362-4271

SHOULD YOU REQUIRE ASSISTANCE WITH A PART THAT MAY BE BROKEN OR MISSING OR YOU ARE HAVING DIFFICULTY WITH ASSEMBLY OR STARTING PLEASE CONTACT US. YOUR COMPLETE SATISFACTION IS OUR PRIMARY OBJECTIVE.

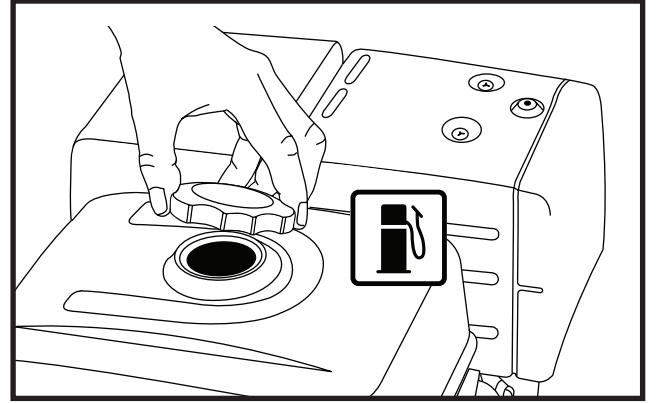
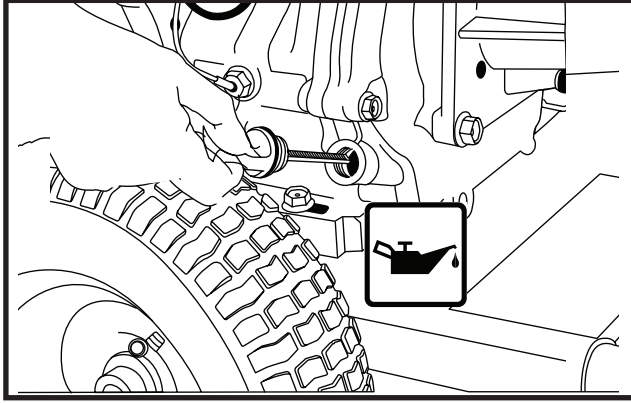
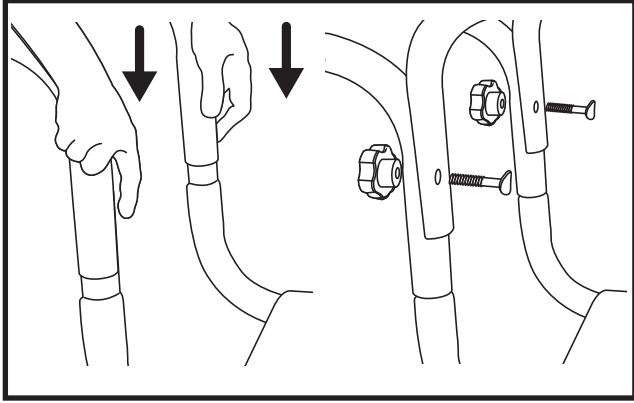
## QUICK SETUP GUIDE

(Letters A-C)

**A Install the Handle**  
Slide the handle assembly onto the frame. Align holes in the top handle with the mounting holes in the handle assembly. Secure with saddle bolts and knobs.

**B Add/Check Oil**  
The engine is shipped without oil. Before starting engine, add the oil provided. Check oil level prior to each use. Refer to Engine Owner's Manual for complete procedure.

**C Add Gasoline**  
In a well ventilated outdoor area add fresh, high quality, unleaded gasoline with a pump octane rating of 86 or higher. Do not overfill. Wipe up spilled fuel before starting the engine. Refer to Engine Owner's Manual for complete procedure.



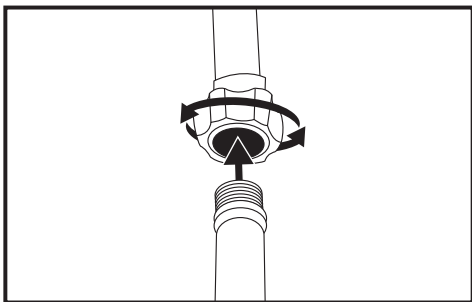
### DANGER:

- Never run engine indoors or in poorly ventilated areas. Engine exhaust contains carbon monoxide, an odorless and deadly gas.
- Risk of fluid injection and laceration. When using the high-pressure setting, DO NOT allow the high-pressure spray to come in contact with unprotected skin, eyes or with any pets or animals. Serious injury will occur.

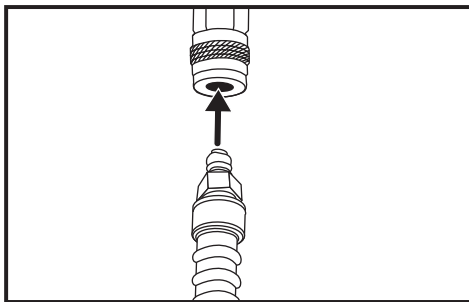
## QUICK START GUIDE

(Numbers 1-12)

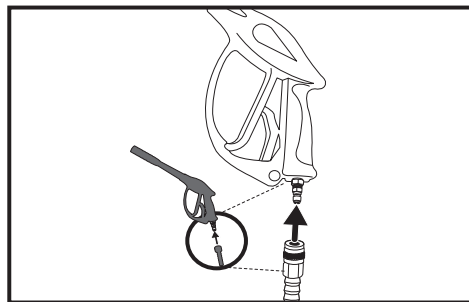
**1 Connect Garden Hose to Pump**  
Thread the garden hose to the pump inlet.



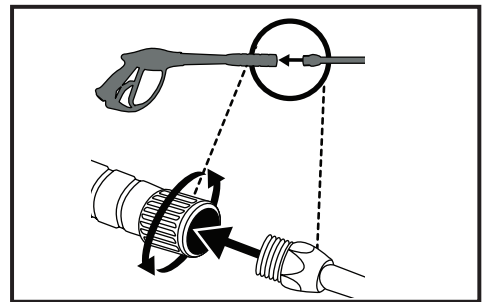
**2 Connect High Pressure Hose to Pump**  
Connect the high pressure hose to the pump outlet.



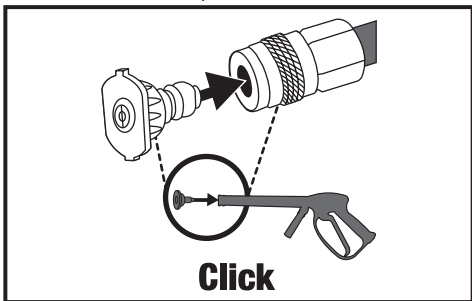
**3 Connect High Pressure Hose to Spray Gun**  
Connect the other end of the high pressure hose to the spray gun.



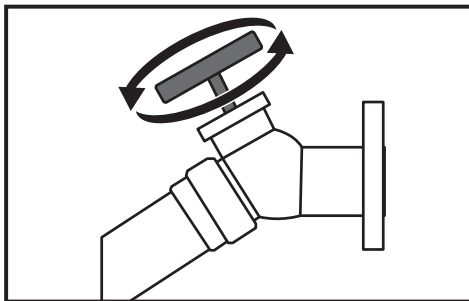
**4 Connect Spray Wand to Spray Gun**  
Thread the spray wand into the end of the spray gun.



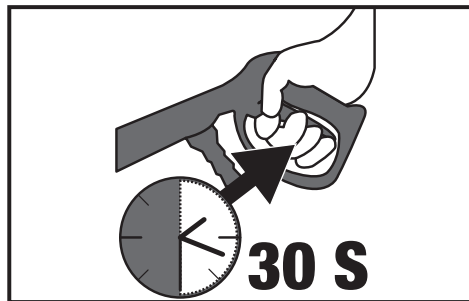
**5 Connect QC Nozzles to Spray Wand**  
Pull quick connect coupler back and insert nozzle. Release quick connect coupler and twist nozzle to make sure it is secure in coupler.



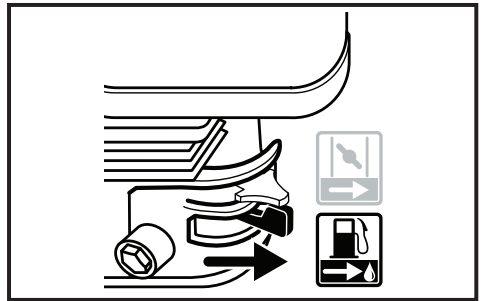
**6 Turn Water Faucet Completely On**  
Do not run the unit without water supply connected and turned on. Use Cold Water Only.



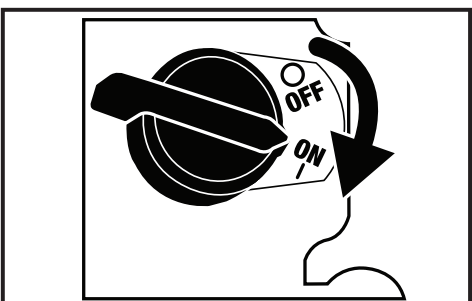
**7 Release Air from System**  
Release all air from pump and high pressure hose by depressing trigger until a steady stream of water is present. Approximately 30 seconds.



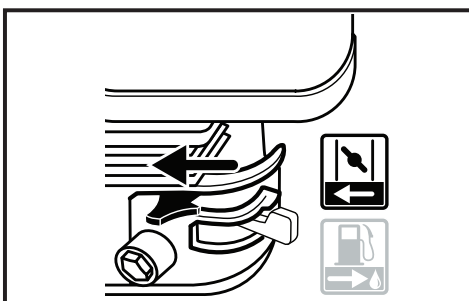
**8 Verify the Fuel Switch is turned to the ON Position**



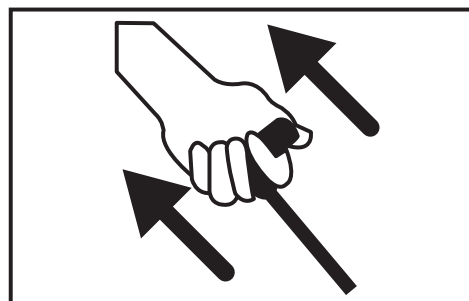
**9 Verify the Engine Switch is turned to the ON Position**



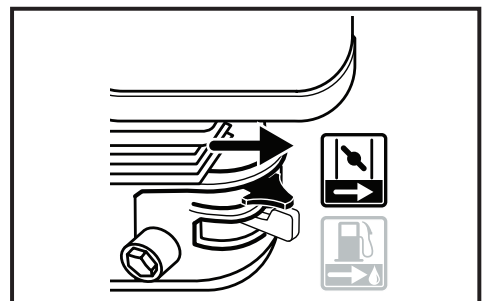
**10 Move the Choke to the CLOSED Position**



**11 Pull the Recoil Starter Grip**  
Pull the recoil starter grip to start the engine.



**12 Move the Choke to the OPEN Position**  
Gradually move the Choke to the OPEN Position after engine starts.



**WARNING:** This Guide is not a substitute for reading the operator's manual. User must read and understand operator's manual before using this product.