



WARNING: To reduce the risk of injury, read the pressure washer instruction manual and the engine instruction manual before operating pressure washer.



IF YOU EXPERIENCE ANY ISSUES WITH YOUR PRESSURE WASHER, WE ARE HERE TO HELP YOU.

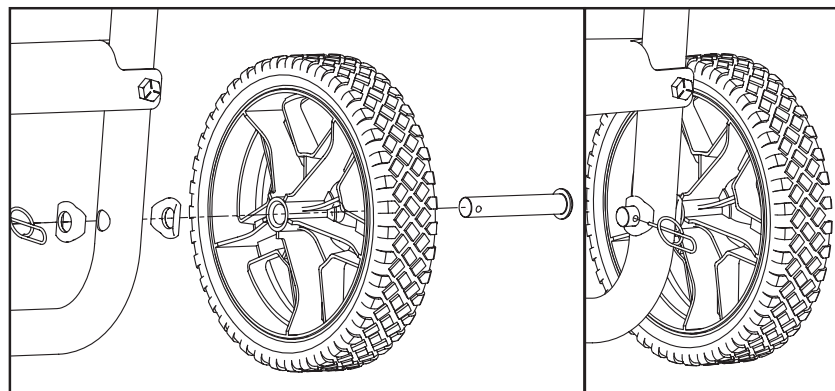
Visit our website www.SimpsonCleaning.com or call 1-877-362-4271

SHOULD YOU REQUIRE ASSISTANCE WITH A PART THAT MAY BE BROKEN OR MISSING OR YOU ARE HAVING DIFFICULTY WITH ASSEMBLY OR STARTING PLEASE CONTACT US. YOUR COMPLETE SATISFACTION IS OUR PRIMARY OBJECTIVE.

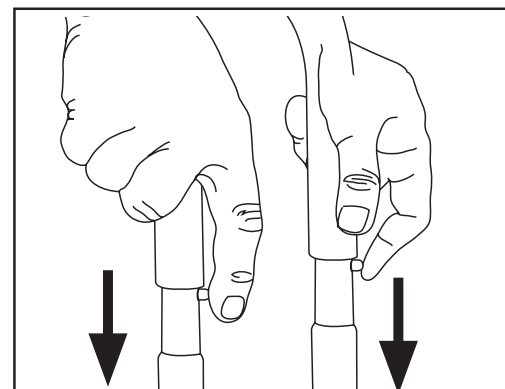
QUICK SETUP GUIDE

(Letters A-B)

- A Install the Wheels**
Slide the axle pin through the wheel, formed washer, frame and other formed washer. Slide clip through hole in axle pin to secure wheel in place. Repeat steps for second wheel.



- B Install the Handle**
Place handle onto frame, depress the snap buttons, and slide the handle assembly onto the frame until snap buttons snap into place.



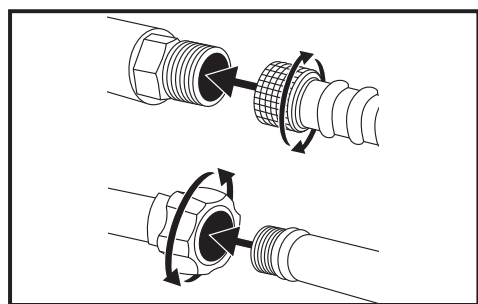
DANGER:

- Risk of fluid injection and laceration. When using the high-pressure setting, DO NOT allow the high-pressure spray to come in contact with unprotected skin, eyes or with any pets or animals. Serious injury will occur.

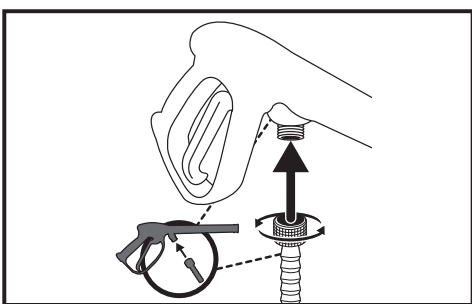
QUICK START GUIDE

(Numbers 1-8)

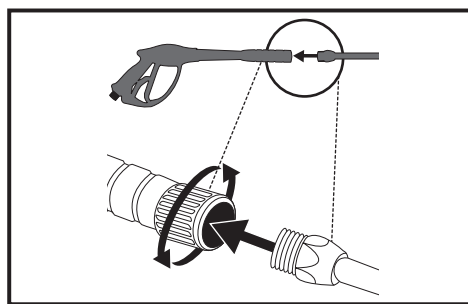
- 1-2 Connect Hoses to Pump**
Thread the garden hose to the pump inlet (bottom). Thread the high pressure hose to the pump outlet (top).



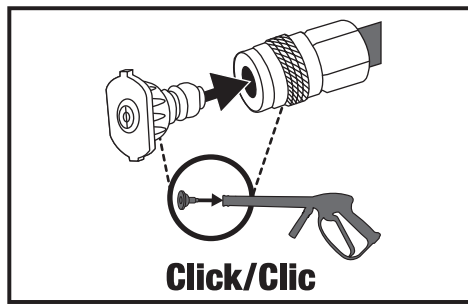
- 3 Connect High Pressure Hose to Spray Gun**
Thread the other end of the high pressure hose to the spray gun.



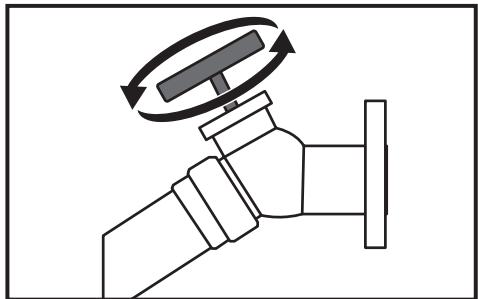
- 4 Connect Spray Wand to Spray Gun**
Thread the spray wand into the end of the spray gun.



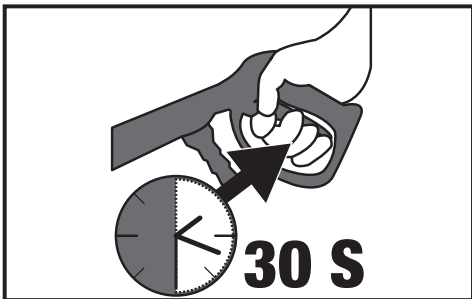
- 5 Connect QC Nozzle to Spray Wand**
Pull quick connect coupler back and insert nozzle. Release quick connect coupler and twist nozzle to make sure it is secure in coupler.



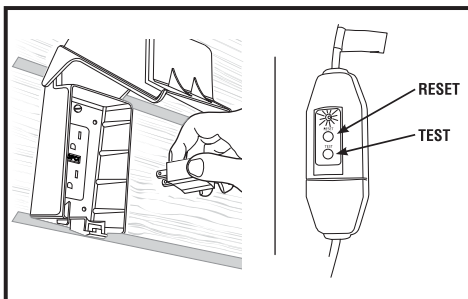
- 6 Turn Water Faucet Completely On**
Do not run the unit without water supply connected and turned on. Use Cold Water Only.



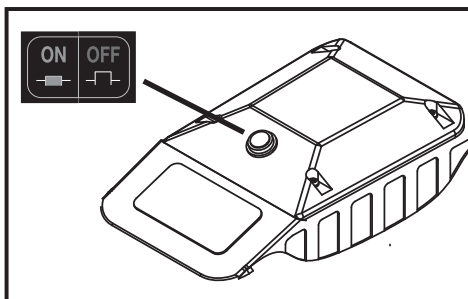
- 7 Release Air from System**
Release all air from pump and high pressure hose by depressing trigger until a steady stream of water is present. Approximately 30 seconds.



- 8 Plug GFCI into power receptacle**
Firmly press and release the TEST button, then press and release the RESET button. The light on the GFCI should be illuminated.



- 9 Press ON/OFF Button into the ON position**
Squeeze trigger to start pressure washing.



WARNING: This Guide is not a substitute for reading the operator's manual. User must read and understand operator's manual before using this product.