



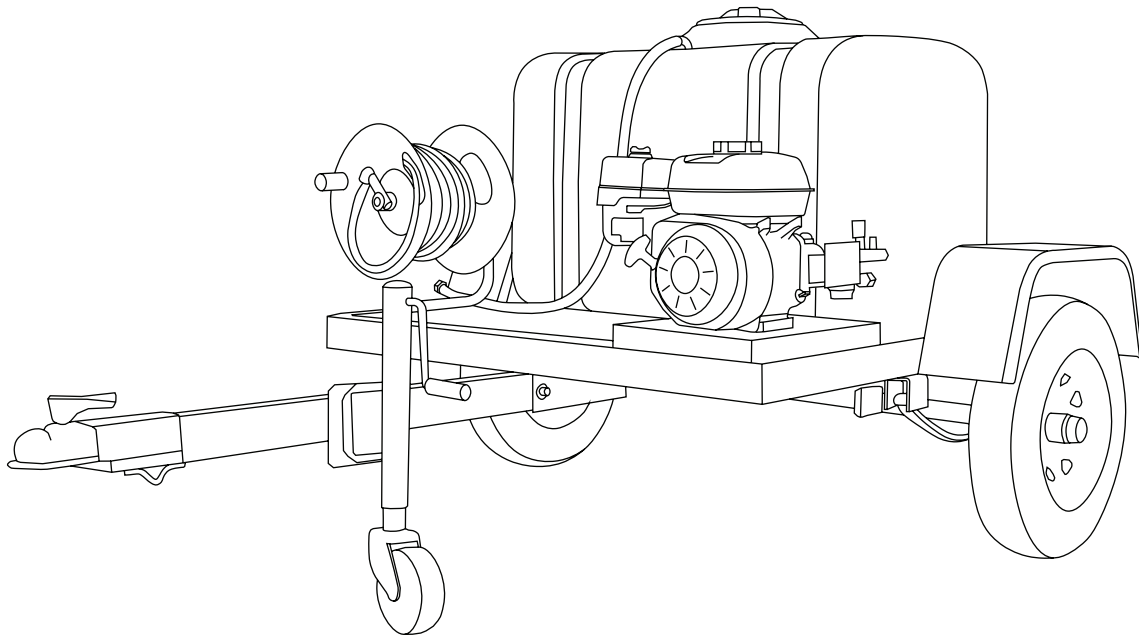
PRESSURE WASHER


USE AND CARE MANUAL

For Cold Water Pressure Washing Trailers



NOT FOR SALE IN THE
STATE OF CALIFORNIA



 **LOOK BEFORE YOU PUMP!**

Ethanol Percentage

<10%	OK	NO	15% - 30%	85%
------	----	----	-----------	-----



READ THIS MANUAL CAREFULLY BEFORE OPERATION

Failure to follow the instructions and safety precautions in this manual can result in property damage, serious injury and/or death.

If your pressure washer is not working or if there are parts missing or broken, please DO NOT RETURN IT TO THE PLACE OF PURCHASE. Contact our Customer Service Department by calling 1-833-362-7368 or emailing cservice@fna-group.com

SAVE THIS MANUAL FOR FUTURE REFERENCE

NOTE: Photographs and line drawings used in this manual are for reference only and may not represent your specific model.

SAVE THIS MANUAL FOR FUTURE USE

Keep this manual for future reference. This manual should be considered a permanent part of the product and stay with it. This manual should be available to anyone operating the product(s) it covers. This manual should remain with the product(s) it covers if sold to a new owner. If the manual becomes damaged, lost, or otherwise unusable, you may download a new copy from the product pages at:

www.simpsoncleaning.com

Write down the model number, serial number, and purchase date of this product in the spaces provided below then keep this manual with the purchase receipt(s) for future reference.

Model
Number: _____

Serial
Number: _____

Purchase
Date: _____



CALIFORNIA PROPOSITION 65 WARNING

This product and the engine exhaust can expose you to chemicals which are known to the state of California to cause cancer, birth defects, or other reproductive harm. For more information on California Proposition 65, go to www.P65Warnings.ca.gov.



POLYCYCLIC AROMATIC HYDROCARBON WARNING

The air filter element and air box assembly may contain polycyclic aromatic hydrocarbons (PAHs). Some PAHs may cause cancer. To avoid exposure to PAHs, wear gloves when performing air filter maintenance.

DANGER:

Be sure to read and completely understand both the "Utility Trailer Owner's Manual" and the "Mobile Pressure Cleaning Trailer / Water Trailer Additional Instructions" sheet before towing the trailer. If you have misplaced your copy of the manual, contact our Customer Service Department by calling **1-833-362-7368** or emailing cservice@fna-group.com

TABLE OF CONTENTS

SAFETY INSTRUCTIONS	1
Read this Manual Before Operating	1
Additional Instructions	1
Hazard Alert Symbols	1
DISCLAIMERS	2
PERSONAL PROTECTIVE EQUIPMENT	2
UNPACKING / TONGUE INSTALLATION	2
Installing the Trailer Tongue	2
Breakaway Hinge Trailer Tongue	3
ASSEMBLY	3
Pump Breather Vent	3
Assemble the Spray Gun	4
Nozzle Placement	4
Connecting a Battery	4
COMPONENT LOCATION	5
Single-cylinder Engine Trailer	5
Dual-cylinder Engine Trailer	5
Trailer Rear-view	5
High-pressure Pump Components	5
Single-cylinder Engine Controls	5
WATER TANK VALVE	6
FILLING THE WATER TANK	6
CONNECTING THE SPRAY GUN	7
NOZZLES	7
Nozzle Selection	7
Nozzle Installation	7
USING CHEMICALS	7
OPERATING CHECKLIST	8
Location	8
High Altitude Operation	8
Operating Conditions	8
Checking the Engine Oil	9
Checking Fuel	10
STARTING THE ENGINE	11
Single-cylinder Engine	11
Dual-cylinder Engine	12
SHUTTING OFF THE ENGINE	12
OPERATION TIPS	13
Terms	13
Preparation	13
Pressure Washing	13
Adjusting Surface Pressure	13
Adjusting Unloader Hand Control Knob to Adjust Pressure	13

SAFETY INSTRUCTIONS

TROUBLESHOOTING	13
MAINTENANCE	14
Maintenance	14
Cleaning the Pressure Washer	15
Connections	15
Nozzle Cleaning	15
Water Inlet Filter	15
Pump Maintenance	16
Engine Maintenance	16
STORAGE AND TRANSPORTATION	16
Storing for Two Months or Less	16
Storing for More Than Two Months	16
Transportation	16
USING SIMPSON® PUMP GUARD	17
WARRANTY	18



READ THIS MANUAL BEFORE OPERATING

This manual contains important safety information and instructions. **Do not** operate this product until you have read, and completely understand all safety, operation, and maintenance instructions listed in this manual. Failure to follow the information contained in this manual will result in property damage, injury, and/or death.

NOTE: The warnings and precautions discussed in this manual cannot cover all conditions and situations that may occur. The operator must understand awareness and caution are factors which cannot be built into this product and so must be exercised by the operator.



ADDITIONAL INSTRUCTIONS

Along with this manual, be sure to read any additional instructions provided both on and with the product, attached equipment, accessories, and the engine powering the product. Pay careful attention to all additional safety rules and instructions on proper startup, operation, and shutdown procedures. Always use any recommended protective apparel that may be needed to operate the equipment safely.



HAZARD ALERT SYMBOLS

Be sure to understand the safety symbols and definitions listed below. Each symbol contains one of four words: **DANGER**, **WARNING**, **CAUTION**, **NOTICE**, indicating different levels of hazard severity. These symbols are used throughout this manual and are followed by information about a specific hazard, the consequences of the hazard, and instructions on how to avoid the hazard. Failure to heed these symbols and follow the instructions provided with them will result in property damage, injury, and/or death.



Indicates an imminently dangerous situation, which if not avoided, will result in property damage, serious injury, and/or death.



Indicates a potentially hazardous situation, which if not avoided, could result in property damage, serious injury, and/or death.



Indicates a hazardous situation, which if not avoided, could result in property damage and/or minor to moderate injury.



Indicates information considered important, but not directly hazard related.



WARNING: UNSAFE PRACTICES

Do not operate the unit when fatigued or under the influence of drugs and/or alcohol. Stay alert at all times. Do not overreach or stand on an unstable surface. Do not use pressure washer while standing on a ladder. Reactive force of the spray will cause spray gun/wand to kickback and could cause the operator to slip or fall or misdirect the spray. Improper control of the spray gun/wand can result in injuries to self or others. Grip gun/wand firmly with both hands. Expect the gun to kickback when triggered. Never point wand at or spray people and/or animals.

CAUTION



TRIPPING HAZARD

Hoses may pose a tripping hazard that can cause injuries resulting from a fall

CAUTION:

SLIP / TRIP HAZARDS

When pressure washing in public areas, signs should be posted that indicate to stay clear of the area as high-pressure washing is being performed. Also, signs should be posted that the surface may be slippery and trip hazards may be present.

Special consideration needs to be made to the safety of not just the operator of the pressure washer, but also people who may be adjacent to the area being cleaned. The best way to warn unsuspecting individuals is with signage and barriers.

Barriers can be as simple as plastic traffic cones or barricades to using barrier belts around the area being cleaned. Remember, pressure washing can dislodge weak or broken pavement turning it into projectiles that may injure others. Keeping people clear of the area is the best way to avoid injury.

Wet pavement can be slippery to unsuspecting individuals causing injury from slips and falls. High-pressure and low-pressure hoses can be trip hazards. Segregating the area and placing appropriate signage can reduce injury.

Sign examples



Barrier examples



NOTICE

This appliance is not intended to be used by persons with reduced physical, sensory, or mental capabilities, or lack of experience and knowledge, unless they have been given supervision or instruction concerning use of the appliance by a person responsible for their safety.

Children should be supervised to ensure that they do not use or play with the appliance.

DISCLAIMERS

- All information in this publication was based on the latest product information available at the time of printing. The FNA Group reserves the right to update, change, and/or improve the product and this document at any time, without notice, and without incurring any obligation.
- This manual may cover more than one machine. The pictures and figures in the manual should be used for reference only. There may be differences between your product and the pictures, drawings, and diagrams in this manual.

PERSONAL PROTECTIVE EQUIPMENT (PPE)

It is important to understand what personal protective equipment (PPE) should be utilized when using your pressure washer as light or unsecured objects can become hazardous projectiles. Below is a list of PPE items that should be utilized at all times when using the pressure washer.

Hearing - Ear plugs or muffs to protect your hearing.

Vision - ANSI-approved Z87.1 safety glasses or goggles to protect your eyes.

Clothing - Long pants and a long-sleeved shirt to protect your legs and arms from flying debris.

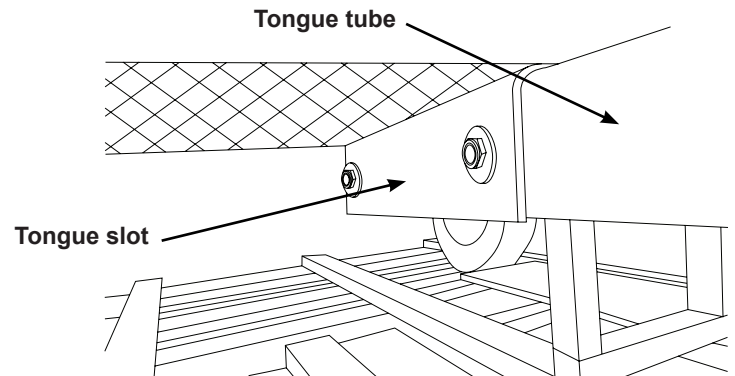
Shoes - Rubber-soled shoes that fully cover your feet to protect against debris, over spray, and electric shock.

UNPACKING / TONGUE INSTALLATION

Follow the steps outlined in this section to uncrate and assemble your pressure washing trailer. If you have any questions regarding the unpacking or assembly of your pressure washing trailer, please have your model number and serial number ready, then contact customer support at 1-833-362-7368 or email cservice@fna-group.com.

Installing the Trailer Tongue (if equipped)

1. Unfasten and unwrap tongue assembly from the trailer crate.
2. Slide tongue assembly into the slot located under the front section of the trailer.

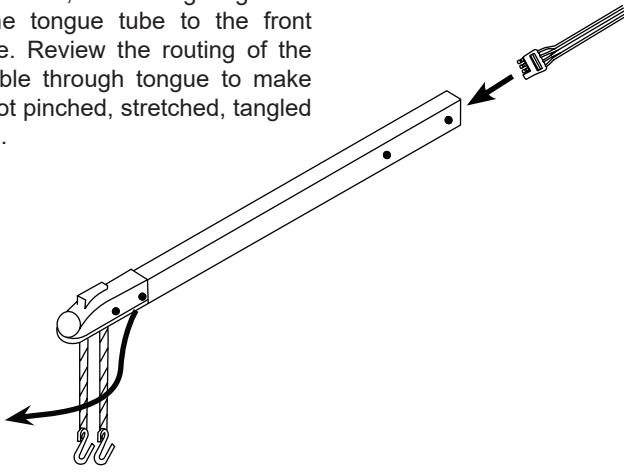


CAUTION:

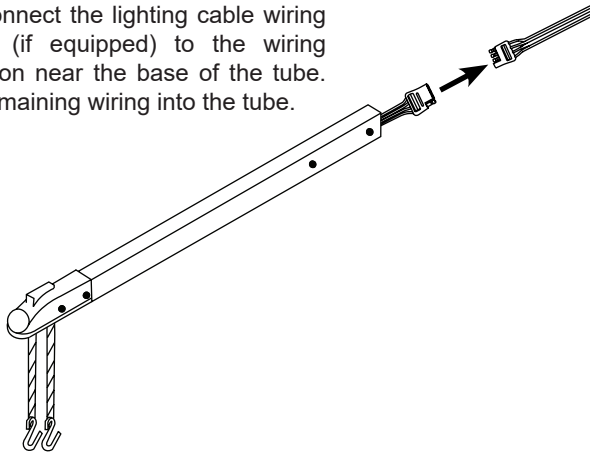
PINCH POINT

Avoid placing hands between handle and frame when assembling to prevent pinching.

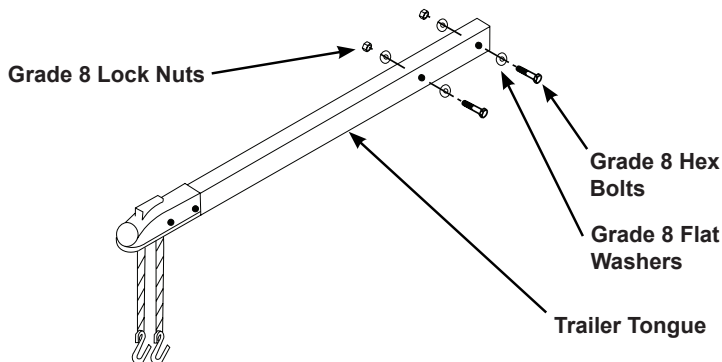
3A. If applicable, slide the lighting cable through the tongue tube to the front of the tube. Review the routing of the lighting cable through tongue to make sure it is not pinched, stretched, tangled or hung up.



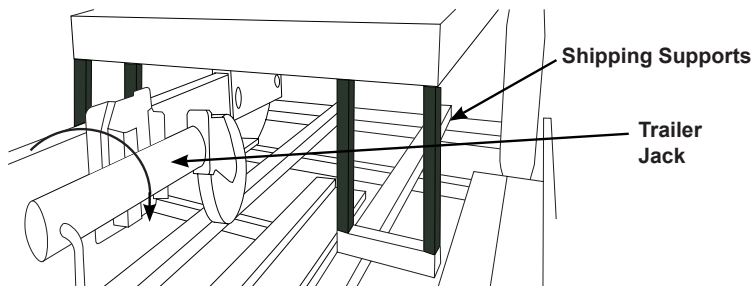
3B. Connect the lighting cable wiring harness (if equipped) to the wiring connection near the base of the tube. Insert remaining wiring into the tube.



4. The hardware is located on the front wire mesh tray. Mount tongue hardware through the tongue slot and tongue tube, ensuring the lighting cable does not get pinched. Tighten.



5. Swivel down the jack. Crank the jack down further to take weight off of the front wooden shipping supports. With the weight removed, the supports can be removed.



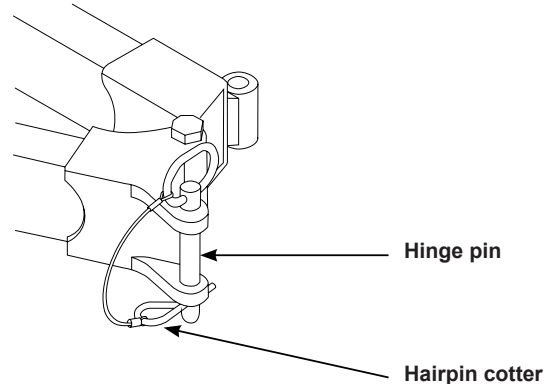
6. Remove ratchet tie down strap from rear of the trailer.

Breakaway Hinge Trailer Tongue (if equipped)

The breakaway hinge trailer tongue has been installed for you at the factory.

The purpose of the hinge is to allow you to fold the tongue back when not in use, allowing the trailer length to be shortened for storage.

When you are ready to tow the trailer, swing the tongue forward then lock the hinge with the hinge pin; secure it with the hairpin cotter. Once the trailer tongue is connected to the tow vehicle hitch ball, connect the safety chains to the tow vehicle.

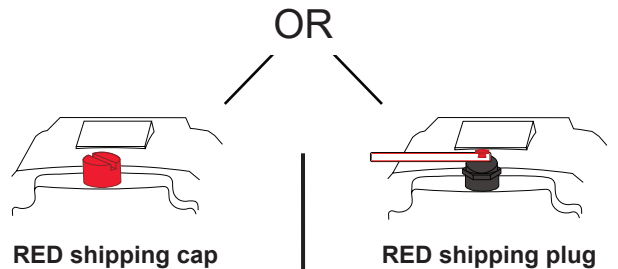


Be sure to read and completely understand both the "Utility Trailer Owner's Manual" and the "Mobile Pressure Cleaning Trailer / Water Trailer Additional Instructions" sheet before towing the trailer.

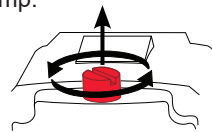
ASSEMBLY

Pump breather vent

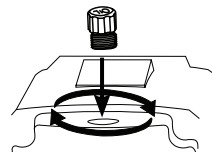
The high-pressure pump may have a breather vent that will need your attention before using the washer for the first time. Please see below for the style you may have.



1. Using a bladed screw driver, remove the RED shipping plug from the top of the pump.

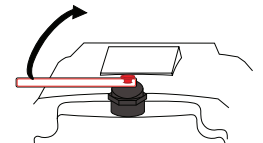


2. Hand thread the BLACK breather cap into the pump.

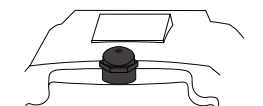


3. Snug the cap with your fingers.

1. Grasp the label and remove both it and the RED shipping plug.

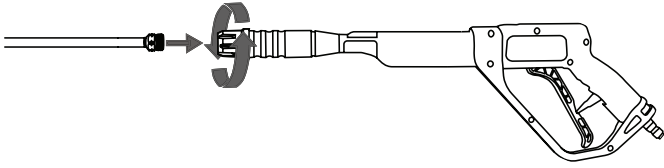


2. The breather is now open properly.



Assemble the spray gun

Hand thread the lance clockwise into the gun. Be careful not to cross-thread the gun and lance. Using an adjustable wrench, tighten the lance by placing the wrench on the flats of the nozzle quick-connector.

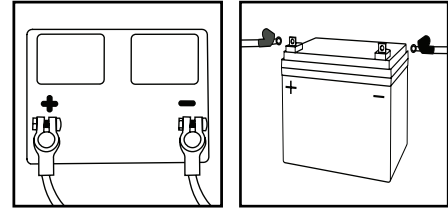


Connecting a Battery (if equipped)

The pressure washer does not come with a battery. You must install a Group 24 -OR- U1 sized battery before using the pressure washer. See your pressure washer to determine the size required, as indicated below. Before using the electric start feature, the battery must be fully charged and the starter cable on the pressure washer connected to the connection port on the battery.

Group 24

U1



*Battery styles may vary

1. Remove the cover from the battery box.
2. Carefully place the battery into the battery box.
3. Place the red, positive (+) battery cable onto the positive (+) battery post. Tighten.
4. Place the black, negative (-) battery cable onto the negative (-) battery post. Tighten.
5. Place the cover back onto the battery box.



! WARNING: INJECTION INJURY

Risk of fluid injection. When using replacement wands or spray guns with this pressure washer, do not use a lance and/or lance/spray gun combination that is shorter in length than what was provided with this pressure washer as measured from the nozzle end of the lance to the spray gun trigger.

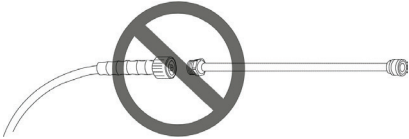


! WARNING: IMPROPER ASSEMBLY

Ensure all parts are assembled in the order and orientation as directed in this manual. Failure to correctly assemble parts may lead to serious injuries and/or property damage.

The threads on the lance and gun coupler can be easily cross threaded resulting in an improper assembly. An improper assembly of the gun and lance can result in personal injury. Do not use if the threads on the gun coupler and/or lance are cross threaded.

Do not thread the lance directly to the high-pressure hose. Always attach the lance to the spray gun, and the spray gun to the high-pressure hose, to prevent serious injuries.



! DANGER: RISK OF ACID BURNS

Batteries contain acid which may cause severe skin burns and/or eye damage, and may be fatal if swallowed. Do not attempt to disassemble the battery, and do not tip the battery. When handling the battery, wear safety glasses and chemical-resistant gloves. Do not eat, drink, smoke, or have an open flame near the battery. Wash hands thoroughly after handling the battery. If exposed to battery acid or experiencing swelling, redness, painful breathing, vomiting, blindness, and/or burns, contact a Poison Control Center or physician immediately!

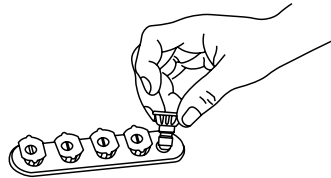


! WARNING: ELECTRICAL SHOCK

Always remove the black, negative (-) battery cable first and always connect the black, negative (-) battery cable last.

Nozzle placement

Remove the colored quick-connect nozzles from the plastic bag and insert them into the rubber grommets next to their corresponding color on the label.



! CAUTION: PRESSURE RATING

Only use accessories or replacement parts rated equal to or higher than the rating of the pressure washer to prevent serious injuries, pressure washer damage and/or accessory damage.

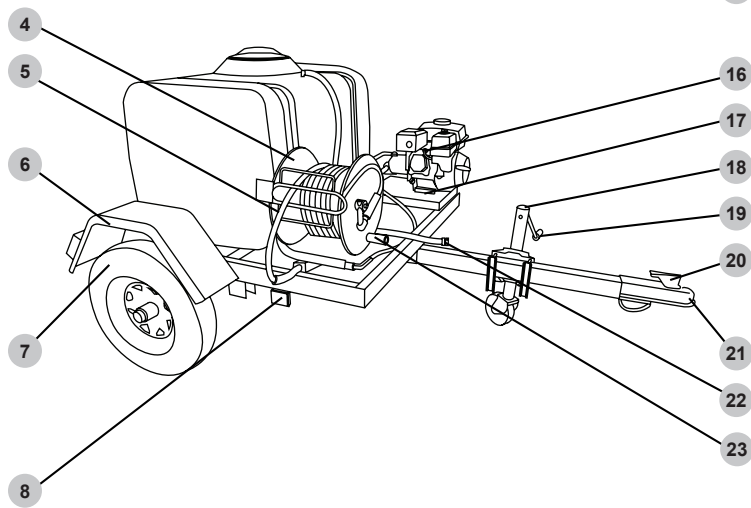
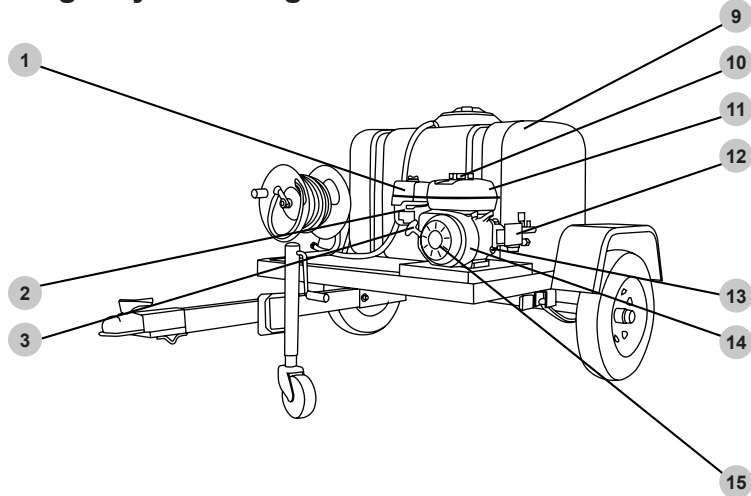


! DANGER: RISK OF EXPLOSION OR FIRE

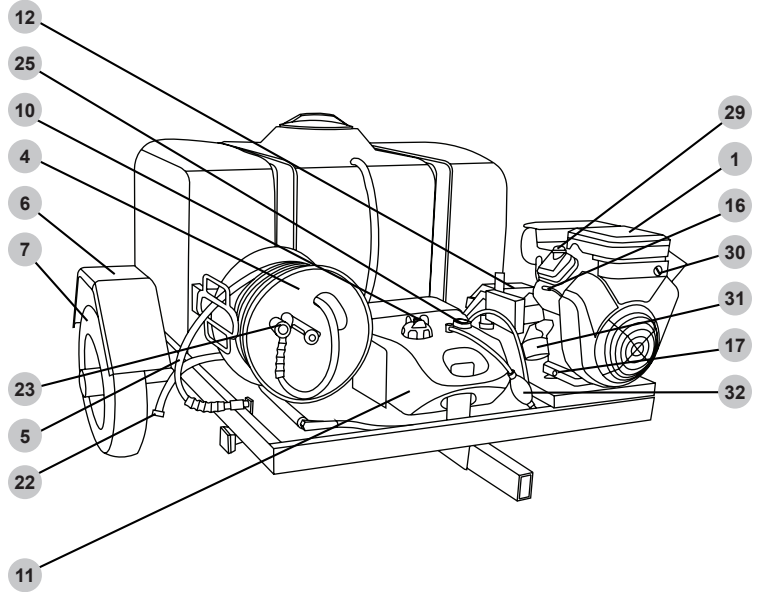
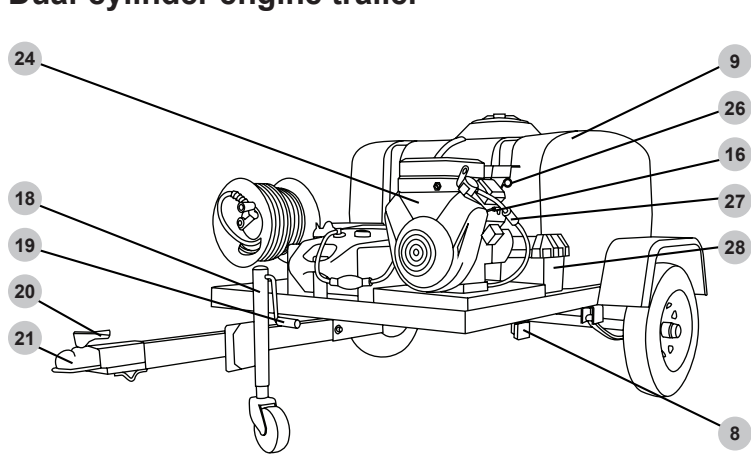
To reduce the risk of electric shock or explosion, do not short circuit the battery terminals or charge in a sealed container. Keep sparks and flame away. Keep battery away from other metal objects like paper clips, coins, keys, nails, screws, or other small metal objects that can make a connection from one terminal to another. Do not use metal tools for connections. Metal objects can make a connection from one terminal to another. Shorting the battery terminals together can cause sparks, burns, or a fire.

COMPONENT LOCATION

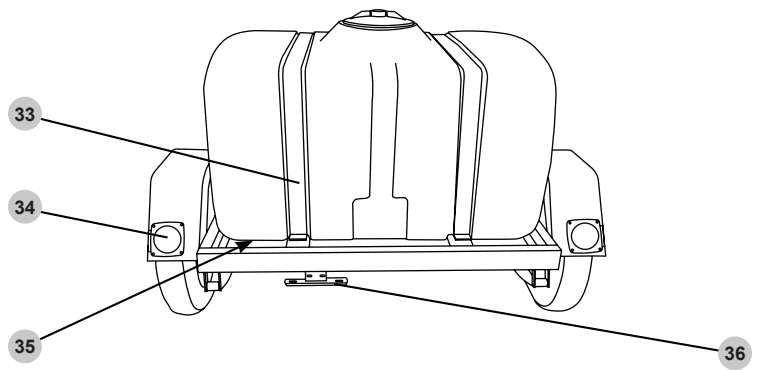
Single-cylinder engine trailer



Dual-cylinder engine trailer

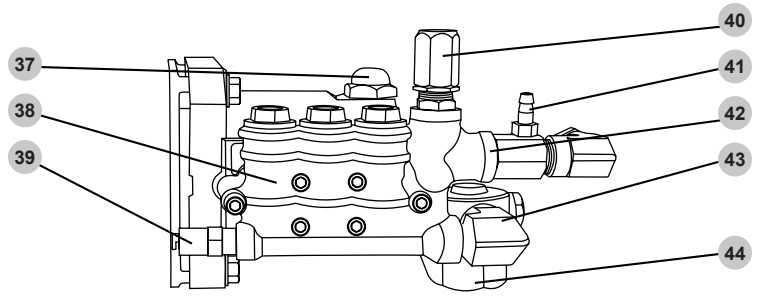


Trailer rear-view

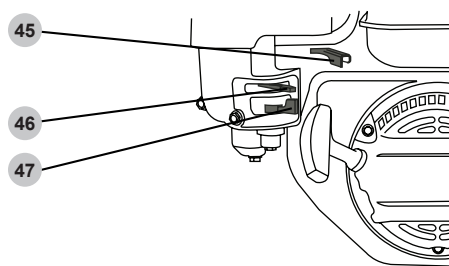


High-pressure pump components

(pump style and components may vary)



Single-cylinder engine controls



1. Engine air filter housing
2. Engine controls
3. Engine starting recoil handle
4. High-pressure hose reel
5. High-pressure hose
6. Wheel fender
7. Tire
8. Side marker light (amber)
9. Water tank
10. Fuel filler cap
11. Fuel tank
12. High-pressure pump
13. Oil filler cap / dipstick
14. Engine ON/OFF switch
15. Single-cylinder engine
16. Spark plug
17. Engine oil drain plug
18. Trailer jack
19. Jack handle
20. Hitch locking lever
21. Ball hitch
22. Garden hose coupler for filling water tank
23. Hose reel handle
24. Dual-cylinder engine
25. Fuel gauge
26. Engine oil dipstick
27. Fuel filter
28. Battery box
29. Engine oil filler cap
30. Engine Key ON/OFF switch
31. Engine oil filter
32. Fuel primer bulb
33. Tank straps
34. Brake lights (red)
35. Water tank valve (not shown)
36. License plate holder
37. Pump oil filler / breather cap
38. Pump manifold
39. Thermal relief valve
40. Unloader
41. Detergent (soap) injection barb
42. Pump outlet
43. Pump inlet
44. Water filter housing
45. Engine throttle (if equipped)
46. Engine choke (if equipped)
47. Engine fuel valve (if equipped)

WATER TANK VALVE *(If equipped)*

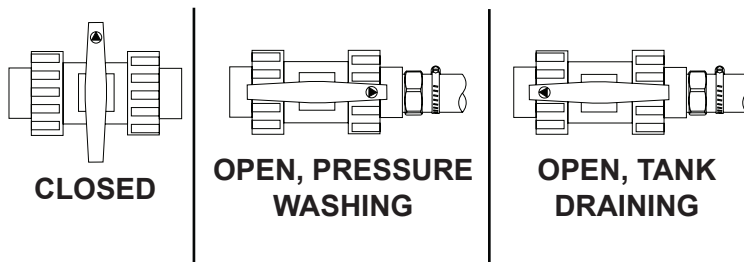
Located beneath the water tank, is a three-way valve. This valve allows you to control the flow of water from the tank, including draining the tank during freezing weather.

When the valve handle is perpendicular to the valve body, the valve is in the closed position (no water will flow from the tank).

Placing the valve handle parallel to the valve body, the valve is open allowing water to flow in the direction of the arrow on the valve handle.

When the arrow is pointing toward the hose leading to the high-pressure pump, the tank is ready to supply water to the pump.

Placing the handle with the arrow pointing toward the open connection, the tank will now drain allowing the tank to be cleaned or in preparation for freezing weather.



FILLING THE WATER TANK

The water used in the tank should be clean, potable water. Do not use recycled, gray or pond water. These types of water will quickly clog the water filter and may lead to pump damage. Never use any types of water cleaners / conditioners in the tank. These may lead to costly pump repairs that are not covered under warranty. DO NOT use hot water. Use cold water only.

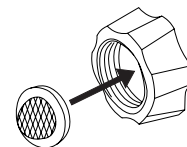


WARNING: BACKFLOW PREVENTION

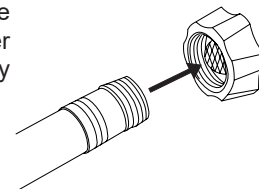
To reduce the possibility of contamination always protect against backflow when connected to the potable water system. A backflow preventer may be required in some municipalities. The backflow preventer should be connected between the source system hose bib and the water supply hose.

1. Rotate the tank valve to the CLOSED position.

2. Verify the inlet screen is free of any dirt or debris and is in place with the convex side facing out.



3. Turn on the water supply and run for 30 seconds to purge any debris from the supply hose. Then, turn off the water supply and thread the water supply hose into the tank filler hose.



4. Turn on the water supply. Allow the tank to fill to the FULL level.

5. Once the tank is filled, turn the water supply off then disconnect the water supply hose.

DO NOT move the trailer unless the water supply hose is disconnected! Damage to the tank filler hose, the water supply hose and the water system hose bib will occur.

CONNECTING THE SPRAY GUN



NOTICE PUMP PURGING

Running a pressure washer pump without water will severely damage the pump seals and other internal components. To avoid this hazard, make sure the water tank is filled with enough water for the application. Never allow the tank to be pumped dry, severe pump damage will occur.

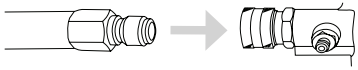


WARNING: INJECTION INJURY

The high pressures created by a pressure washer can cause fluid injection injuries, severe lacerations, amputations, and / or death. To avoid these hazards, always aim the spray gun and lance in a safe direction when using the pressure washer and never attempt to touch a leak in a high-pressure hose or fitting.

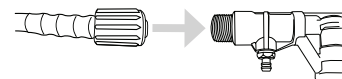
A pressure washer pump is designed to operate with water flowing through it. Water lubricates and cools the internal components of the pump. Running a pressure washer pump without water will severely damage the pump seals and other internal components. Damage caused by running a pressure washer pump without water is not covered under warranty.

1. While pulling back on the pump outlet collar, insert the hose connector then release the collar. Gently tug on the hose to make sure it is locked

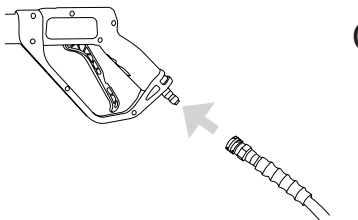


OR

1. Thread the high-pressure hose connector onto the pump high-pressure outlet.

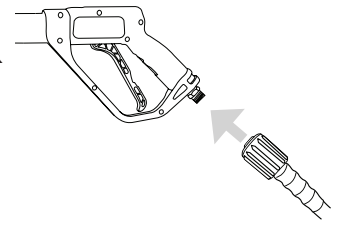


2. While pulling back on the hose outlet collar, insert the gun connector then release the collar. Gently tug on the hose to make sure it is locked.



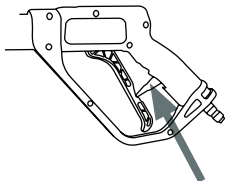
OR

2. Thread the high-pressure hose connector onto the spray gun.



3. Aim the spray gun in a safe direction then squeeze and hold the trigger for at least 30 seconds or until the water runs steady and all the air is purged from the pump and hoses.
4. Check hoses and connections for leaks. If leaks are found, tighten hose connections or replace all damaged hoses immediately. Never attempt to touch a leak in a high-pressure hose or fitting. Never attempt to repair a high-pressure hose.

5. Engage the trigger lock.



NOZZLES

Nozzle Selection

The nozzles supplied with the pressure washer have specific spray patterns designed to clean different surfaces. Using the incorrect nozzle can damage surfaces. Refer to the table below to select the correct nozzle before using the pressure washer. **NOTE:** The selection of nozzles included may vary with pressure washer models.

Color	Uses	Surface
Red	Spot cleaning hard, unpainted surfaces and high-reach areas	Unpainted metal and concrete DO NOT use on wood.
Yellow	Intense cleaning of unpainted surfaces	Grills, driveways, concrete and brick walkways, unpainted brick and stucco
Green	Standard cleaning nozzle for most applications	Yard tools, sidewalks, lawn furniture, unpainted siding, stucco, gutters, eaves, concrete, and brick surfaces
White	Cleaning painted or delicate surfaces	Auto, truck, RV, marine, wood, painted brick, painted stucco, vinyl, and painted siding
Black	Applies cleaning solutions	Safe on all surfaces. Always verify compatibility of cleaning solution(s) prior to use.



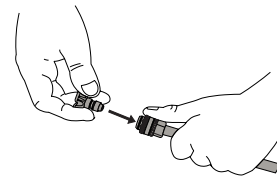
NOTICE SPRAY DAMAGE

High-pressure spray can damage plants and other surfaces such as wood, glass, automobile paint, auto striping and trim, and delicate objects. To avoid causing damage, cover plants before spraying near them, refer to the Nozzle Selection table in this manual for correct nozzle selection, and test surfaces before spraying to make sure they are strong enough to withstand high-pressure spray.

Nozzle Installation

If the engine is running, make sure the trigger lock is in the locked position before removing and installing nozzles.

To place a nozzle into the spray wand, pull the quick-connect coupler back, insert the nozzle, then release the coupler allowing it to snap back in place. Once installed, pull on the nozzle to make sure it is secure.



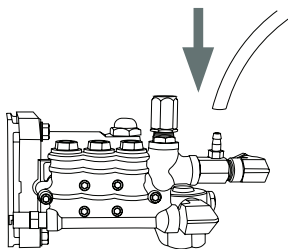
USING CHEMICALS *(If equipped)*



NOTICE VOLATILE LIQUIDS

Pressure washing with volatile, flammable, or corrosive liquids could cause pressure washer damage, fire, or explosion resulting in severe injury and/or death. To avoid these hazards, use only approved soaps and chemicals, do not attempt to pressure wash with volatile, flammable, or corrosive liquids, and NEVER use bleach.

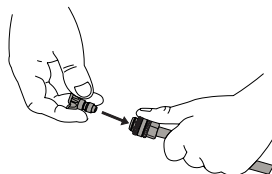
1. Attach the open end of the soap hose to the barbed fitting on the pump.



2. Place the filtered end of the soap hose into a container of soap.



3. If the engine is running, make sure the trigger lock is in the locked position before removing and installing nozzles.



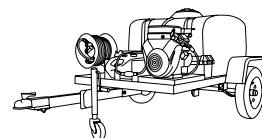
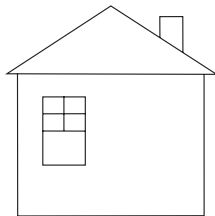
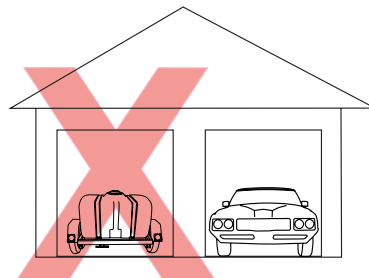
4. Insert the black nozzle into the spray wand per the Nozzle Installation section of this manual. **NOTE:** Soaps will not siphon if the black soap nozzle is not installed on the spray wand.

5. After using soap, place the filtered end of the soap hose into a container of clean water and run pressure washer drawing clean water through the hose and pump until the system is thoroughly rinsed. If soap or other chemicals remain in the pump, the pump could be damaged. Pump damage from soap or chemical residue is not covered under warranty.



WARNING: TOXIC FUMES

Engine exhaust contains carbon monoxide, an odorless, colorless, poisonous gas. Running an engine indoors will kill you in minutes. Never use this product inside a house, garage, or any other kind of enclosure even if doors and windows are open. Run engine outside at least 20 feet (6 meters) away from windows, doors, and vents. Carefully consider wind direction and air currents when using this product outside to avoid breathing in engine exhaust. Always use a carbon monoxide detector in any occupied buildings near the running engine.



OPERATING CHECKLIST



WARNING: OPERATING CHECKLIST

Attempting to start the engine incorrectly or using the pressure washer incorrectly can result in engine and/or pressure washer damage, and may cause serious injury or death. To avoid these hazards, be sure to read, understand, and follow the steps outlined in the OPERATING CHECKLIST section of the owner's manual before starting the engine, and follow all the guidelines for proper use of the pressure washer.

Location

Place the pressure washer on a level surface outside in a well-ventilated area before operating. Keep all flammable materials at least five feet away from all sides of the product.

- Never use pressure washer inside a house, garage, or any other kind of enclosure even if doors and windows are open. Run engine outside at least 20 feet (6 meters) away from windows, doors, and vents. Carefully consider wind direction and air currents when using pressure washer outside to avoid breathing in engine exhaust.
- Following the manufacturer's instructions and recommendations, install battery operated carbon monoxide alarms in any occupied buildings near the running engine.
- If you experience headache, nausea, dizziness, sleepiness, or weakness while pressure washer is running, move to fresh air and seek medical attention immediately.

High Altitude Operation

This engine will have proper engine performance and emission control when it is operated at or below an altitude of 5000 feet (1524 meters). This engine requires a high-altitude carburetor kit to ensure proper engine performance and emission control when operated at altitudes above 5000 feet (1524 meters). Operating the machine with the wrong engine configuration above 5000 feet (1524 meters) may increase its emissions, decrease fuel efficiency, and hurt performance. To obtain a high altitude carburetor kit, contact your nearest authorized service center.



NOTICE ALTITUDE

Operating the engine with a high-altitude carburetor jet kit at an altitude below 5000 feet (1524 meters) will cause the engine to run too hot. Overheating the engine could result in serious engine damage. To avoid this hazard, make sure the correct carburetor kit is installed and the air/fuel mixture is set correctly for your altitude.

Operating Conditions

Before each use, check for loose or damaged parts, leaks, and/or any other condition that may affect proper operation. Repair or replace all damaged and/or defective parts with authorized parts immediately. Do not operate the machine with missing, broken, or unauthorized parts. Always keep all safety guards in place and in proper working order. For safety reasons, the manufacturer recommends all maintenance and repairs be performed by an authorized service center. Never compromise the safety features of this product.

Before starting engine, remove any excessive dirt and debris from cooling vents, exhaust, and starter recoil areas. Always operate the pressure washer on a level surface and never move or tip the pressure washer while operating. Use pressure washer only for its intended purpose. Never pull water supply hose or high-pressure hose to move pressure washer. This could damage hose, pump inlet, and/or pump outlet. If you have questions about the proper use of your pressure washer, please contact customer support at 1-833-362-7368 or cservice@fna-group.com.



! WARNING: CHILDREN AND UNTRAINED ADULTS

Do not allow children or untrained adults to operate or play with the pressure washer as they can be seriously injured or killed. Anyone operating the pressure washer should receive proper instructions, understand safe operation, and thoroughly read the owner's manual before operating this product. Keep children and pets away from the pressure washer while it is running. Always turn off the pressure washer before leaving the area.



! WARNING: INSPECT BEFORE OPERATING

Failure to inspect this product before use could create a hazardous situation resulting in product damage, serious injury, and/or death. To avoid these hazards, inspect the pressure washer before each use. Check for loose or damaged parts, signs of oil or fuel leaks, missing guards, plugged cooling vents, or any other condition that may affect proper operation. Repair or replace all damaged or defective parts with authorized parts and keep all safety guards in place and in proper working order before using the pressure washer.



! DANGER: ELECTRICAL SHOCK

Spray directed at electrical receptacles or switches, or objects connected to an electrical circuit, could result in a fatal electrical shock. Direct spray away from electric receptacles, switches and equipment. Never clean any electrically operated device, even when disconnected, unless it clearly states in its manual that such cleaning is approved.



! WARNING: RISK OF BURSTING

Over inflation of tires could result in serious injury and property damage. Use a tire gauge to check the tires' pressure before each use and while inflating tires (if applicable); see the tire sidewall for the correct pressure. High-velocity spray directed at pneumatic tire sidewalls (such as found on automobiles, trailers and the like) could damage the sidewall resulting in serious injury. On pressure washers rated above 1600 psi (11032 kPa) use the widest fan spray (40° nozzle) and keep the spray a minimum of 8" (20cm) from the pneumatic tire sidewall. Do not aim spray directly at the bead between the tire and rim.



! WARNING: INJECTION INJURY

The high pressures created by a pressure washer can cause fluid injection injuries to human and animal flesh, severe lacerations, amputations, and/or death. To avoid these hazards, always aim the spray gun and lance in a safe direction when using the pressure washer and never attempt to touch a leak in a high-pressure hose or fitting. Never place hands in front of the nozzle. Never hold onto the hose or fittings during operation. Never attach or remove wand or hose fittings while system is pressurized. Never point wand at or spray people and/or animals. **DO NOT TREAT FLUID INJECTION AS A SIMPLE CUT!** See a physician immediately!



! DANGER: RISK OF EXPLOSION OR FIRE

Operating the pressure washer in an explosive environment could result in a fire. Operate and fuel equipment in well-ventilated areas free from obstructions. Equip areas with fire extinguisher suitable for gasoline fires.



! CAUTION: HOT SURFACES

A running engine produces heat. The surfaces of the engine, other related components, and engine exhaust gas get hot enough to cause mild moderate burns or ignite materials on contact (such as siding, plastic, rubber, vinyl, or the pressure hose itself), and damage live plants. To avoid burns, do not touch engine surfaces or exhaust gases while operating and allow engine to cool completely before moving, touching, or performing any maintenance. To avoid a fire, keep all flammable materials at least five feet away from all sides of the product. Never cover the pressure washer during operation or directly after being used.



! WARNING: MOVING PARTS

This product has many parts that move at high speeds. Moving parts can cause crushing injuries, broken bones, severe lacerations, and/or traumatic amputations. To prevent injury, never place fingers, hands, feet, or other body parts near running engine. Never operate product with covers, shrouds, or other guards removed. Do not wear loose-fitting clothing, dangling drawstrings, or any other hanging items that could become entangled in moving parts while operating. Tie up long hair and remove jewelry before operating.

Checking the Engine Oil



NOTICE FILL ENGINE OIL BEFORE USE

The engine is shipped from the factory without oil. Running the engine without oil will result in severe engine damage and void the warranty. To avoid causing engine damage and voiding the warranty, fill the engine with the recommended oil type before starting.



NOTICE USE CORRECT ENGINE OIL

Oil is a major factor in the performance and service life of any engine. Using the incorrect oil may damage the engine and void the warranty. To avoid causing engine damage and voiding the warranty, check and change oil as required using the correct engine oil.



NOTICE LOW OIL SENSOR

The low oil sensor (if equipped) will automatically stop the engine when the oil level falls below the safe limit. To avoid an unexpected shutdown, check the oil level before each use, fill to the upper limit, and always operate engine on a level surface.

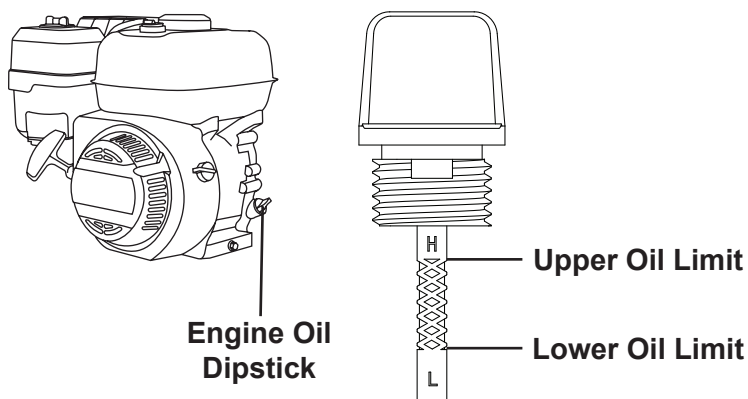


! CAUTION: HOT OIL

Hot oil can cause serious burns. To prevent getting burned when changing or checking the engine oil, wear appropriate gloves and change the oil when the engine is warm but not hot.

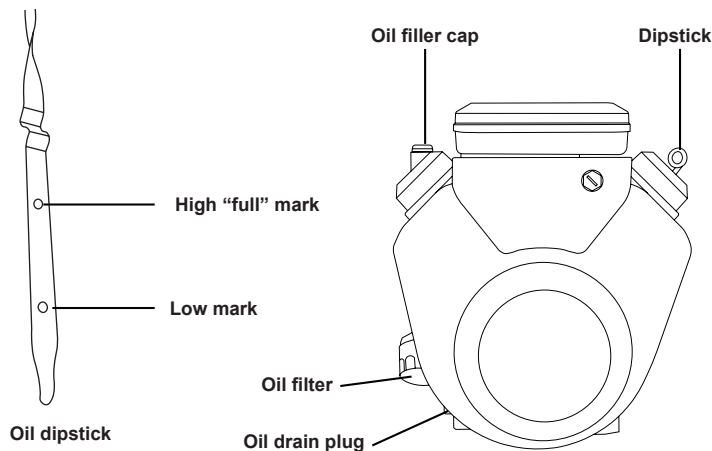
Single-cylinder (if applicable)

1. Check oil with the trailer level and the engine off.
2. Unscrew the engine oil dipstick and pull it out, then wipe dipstick clean.
3. Place clean dipstick into filler neck but do not thread it in, leave it rest it on the filler neck.
4. Remove the dipstick from filler neck and check oil level. Oil level should be at the upper oil limit on the dipstick.
5. If level is low, add the recommended oil to the crankcase until the level reaches the upper limit on the dipstick. See the engine manual for recommended oil.
6. Install the dipstick and tighten cap by threading it into the filler neck.

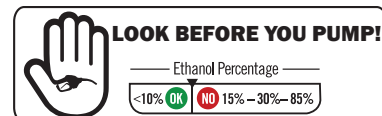


Dual-cylinder engine (if applicable)

1. Check oil with the trailer level and the engine off.
2. Remove the oil dipstick; wipe it clean with paper towel.
3. Insert the clean dipstick into the spout fully.
4. Remove the dipstick. The oil level should be at, but not above, the full or high mark.
5. If the oil level is low, add the recommended oil to the crankcase until the level reaches the full or high mark on the dipstick. See the engine manual for the recommended oil.
6. Place the dipstick back into the spout fully.



Checking Fuel



WARNING: REFUELING

Gasoline is highly flammable and gasoline vapors are extremely explosive. Fire and explosions can cause severe burns and/or death. Keep gasoline away from flames, sparks, and other ignition sources. Refuel outdoors in a well-ventilated area with the engine stopped and cool. Wipe up any spilled gasoline and allow engine to dry before starting. Keep a fire extinguisher handy while refueling. Do not operate engine with leaks in the fuel system. Do not store gasoline near other flammable materials. Store fuel in a clean, OSHA-approved container in a secured location away from the work area.



NOTICE OLD GASOLINE

Old gasoline can create deposits that clog fuel systems causing hard starting and poor performance. Damage caused by old fuel is not covered by warranty. To minimize deposits, avoid old fuel related performance issues, and prevent costly repair work, do not use gasoline that is older than 30 days.



NOTICE ALCOHOL BLENDS

Using gasoline with an alcohol blend greater than 10% (E10) will damage the engine. Damage caused by using an alcohol blend of 15% (E15), 85% (E85), or any other alcohol blend higher than 10% (E10) is not covered under warranty. To avoid engine damage caused by an alcohol blend that is too high, use gasoline with 10% (E10) alcohol or lower.



NOTICE GASOLINE ADDITIVES

The use of fuel system cleaning additives can damage the engine and fuel systems. Damage caused by the use of fuel system cleaning additives is not covered by warranty. To avoid engine and fuel system damage, do not use any fuel system cleaning additives.



NOTICE GASOLINE STORAGE

It is important to prevent gum deposits from forming in essential fuel system parts, such as the carburetor, fuel filter, fuel hose or tank during storage. Alcohol-blended fuels (also called gasohol, ethanol, or methanol) attract moisture, which leads to separation and formation of acids during storage. Acidic fuel and gum deposits can damage the engine's fuel system while in storage. Damage caused by the use of old, stale, or contaminated fuel are not covered under warranty.

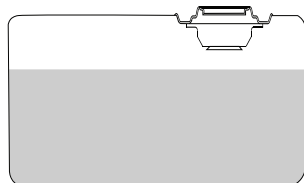


NOTICE DO NOT OVERFILL FUEL TANK

Overfilling the fuel tank can result in carbon canister damage (if equipped), poor engine performance, and void the warranty. To avoid these hazards, do not fill the fuel tank above the maximum level.

Single-cylinder engine

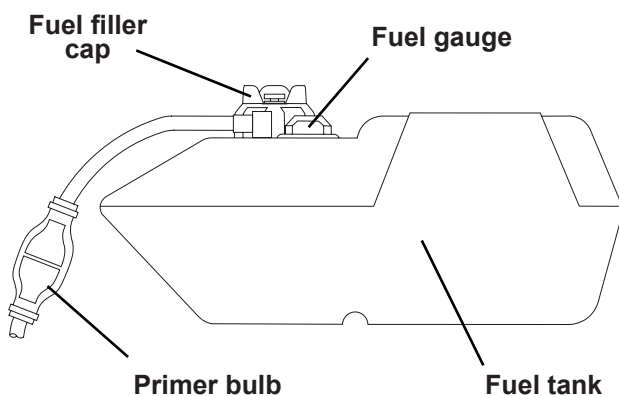
1. Check fuel with the engine off and the trailer level.
2. Remove fuel tank cap, check fuel level, then fill fuel tank if needed. For fuel cap location see the COMPONENT LOCATIONS section of this manual.
3. Do not fill the fuel tank above the maximum fuel level to allow room for fuel expansion. For fuel capacity see the specifications section of the engine manual.
4. Do not use gasoline that is older than 30 days. Use only clean and fresh regular unleaded gasoline with a minimum octane rating of 87. Do not mix oil with gasoline. Do not use gasoline that contains more than 10% ethyl alcohol. E15, E20, and E85 are not approved fuels and should not be used.
5. Replace fuel tank cap. Never run engine without fuel cap installed.



Maximum Fuel Level

Dual-cylinder engine

1. Remove the fuel filler cap then proceed to fill the tank until the gauge reaches the FULL mark. Do not use gasoline that is older than 30 days. Use only clean and fresh regular unleaded gasoline with a minimum octane rating of 87. Do not mix oil with gasoline. Do not use gasoline that contains more than 10% ethyl alcohol. E15, E20, and E85 are not approved fuels and should not be used.
2. Place the filler cap back onto the spout, hand thread the cap until snug.
3. Use the primer bulb to pump gasoline into the engine. Starting the engine without priming the fuel line will cause the engine not to start quickly leading to possible starter damage from excessive cranking.



NOTE: Using a fuel stabilizer (sold separately) when storing gasoline can help prevent problems related to storing ethanol alcohol blended gasoline. Always follow the instructions provided by the fuel stabilizer manufacturer to mix and use correctly.

STARTING THE ENGINE



WARNING: OPERATING CHECKLIST

Attempting to start the engine incorrectly or using the pressure washer incorrectly can result in engine and/or pressure washer damage, and may cause serious injury or death. To avoid these hazards, be sure to read, understand, and follow the steps outlined in the OPERATING CHECKLIST section of the owner's manual before starting the engine, and follow all the guidelines for proper use of the pressure washer.



NOTICE PUMP DAMAGE

Running the pressure washer for more than two minutes without the spray gun trigger pulled will overheat the pump and possibly cause damage. The thermal relief valve will open and spray water to help cool the pump as it overheats. Never tamper with the thermal relief valve. To avoid overheating the pump, shut off the engine if not being used for longer than two minutes.

Starting the Engine (Single-cylinder engine)

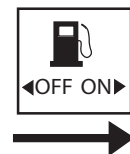
1. Complete the steps in the OPERATING CHECKLIST section of this manual before starting the engine. Failure to do so could cause damage to the pump or engine. If needed, refer to your Engine Owner's Manual for specific starting instructions.

The water tank should be filled with water and the spray gun/lance assembly attached to the high-pressure hose. If equipped, place the tank valve in the **OPEN** position.

2. Turn the engine switch to the ON position.



3. Slide the fuel valve to the ON position (if equipped).



4. Slide the throttle to the RUN position (if equipped).



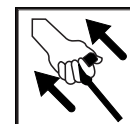
5. If equipped, slide the choke to CHOKE for starting a COLD engine. Slide to RUN for a warm engine.



NOTE: The starting position of the choke will vary depending on the engine temperature. If starting a cold engine, move the choke lever towards the CHOKE position. If starting a warm engine, move the choke lever towards the RUN position.

- 6A. **(Manual start)** Pull the recoil slowly until resistance is felt, then pull rapidly to start the engine. Do not allow the starter grip to snap back. Return it gently by hand.

NOTE: If the engine should not start after two pulls, squeeze the gun trigger to release stored pressure. Then, try again to start the engine.



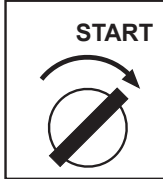


WARNING: RAPID RETRACTION

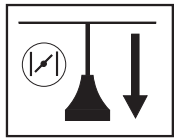
Rapid retraction (also known as kickback) of the engine recoil starter cord will pull your hand and arm towards the engine faster than you can let go of the handle resulting in sprains, broken bones, lacerations, and/or traumatic amputations. Kickback is often caused by internal engine failure, and/or improper starting techniques. To avoid kickback follow the appropriate maintenance schedule, starting instructions and have repair work done by an authorized service center.

6B. **(Electric start)** Turn the key past the ON position to the START position. Allow the engine to start. If the engine does not start after 5 seconds. Release the key and allow the starter to cool for one minute.

Once the engine has started, allow the key to return to the ON position.



4. Pull the choke out for starting a COLD engine. Push in for a warm engine (if equipped).



NOTE: The starting position of the choke will vary depending on the engine temperature. If starting a cold engine, move the choke lever towards the CHOKE position. If starting a warm engine, move the choke lever towards the RUN position.

5. Turn the key past the ON position to the START position. Allow the engine to start. If the engine does not start after 5 seconds. Release the key and allow the starter to cool for one minute.



WARNING: STARTER DAMAGE

Do not try to continuously crank the engine for more than five seconds at one time. If the engine fails to start, allow the starter to cool for one minute before trying to restart the engine. Continuously trying to start the engine will damage the starter.



WARNING: STARTER DAMAGE

Do not try to continuously crank the engine for more than five seconds at one time. If the engine fails to start, allow the starter to cool for one minute before trying to restart the engine. Continuously trying to start the engine will damage the starter.

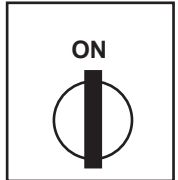
7. Once the engine starts, slowly move the choke lever to RUN as the engine runs. If the engine falters, move the choke toward CHOKE until the engine has warmed up (if equipped).



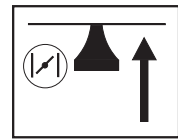
8. Allow engine to warm for 1-2 minutes before using the product, occasionally pulling the spray gun trigger to allow water to flow through the pump and avoid overheating and causing damage to the pump.

NOTE: Always secure trigger lock when spray gun is not in use to prevent accidental operation. Never permanently secure trigger in pull-back (open) position.

6. Once the engine has started, allow the key to return to the ON position.



7. If equipped, slowly push the choke lever in as the engine warms. If the engine falters, pull the choke out until the engine has warmed up.



8. Allow engine to warm for 1-2 minutes before using the product, occasionally pulling the spray gun trigger to allow water to flow through the pump and avoid overheating and causing damage to the pump.

NOTE: Always secure trigger lock when spray gun is not in use to prevent accidental operation. Never permanently secure trigger in pull-back (open) position.

Starting the Engine (Dual-cylinder engine)

1. Complete the steps in the OPERATING CHECKLIST and ENGINE PREPARATION sections of this manual before starting the engine. Failure to do so could cause damage to the pump or engine. If needed, refer to your Engine Owner's Manual for specific starting instructions.

The water tank should be filled with water and the spray gun/lance assembly attached to the high-pressure hose. If equipped, place the tank valve in the **OPEN** position.

2. Prime the fuel line as described under the CHECKING FUEL section of this manual.

3. Slide the throttle to the RUN position (if equipped).



SHUTTING OFF THE ENGINE



NOTICE PUMP DAMAGE

Turning off the water supply to your pump with the engine running will damage the pump. Damage caused by running the pump without water is not covered under warranty. To avoid this hazard always turn off the engine before shutting off the water supply.

1. Set the trigger lock on the spray gun.
2. Slide the throttle to the SLOW position (if equipped).
3. Turn the engine switch to the OFF position.
4. Slide the fuel valve to the OFF position (if equipped).
5. Release the trigger lock then squeeze the spray gun trigger to relieve the pressure in the hose and pump. Disconnect the gun from the high-pressure hose; store it properly before moving the trailer.
6. Rotate the tank valve to CLOSED (if equipped).
7. Respool the high-pressure hose onto the hose reel.
8. Allow the engine to cool completely before maintenance or refueling.

OPERATION TIPS

Terms

- PSI - Pounds per square inch (PSI) is the unit to measure the pressure of water. In relation to a pressure washer, the higher the PSI number, the greater the pressure and stripping power produced.
- GPM - Gallons per minute (GPM) is the flow rate of water. In relation to a pressure washer, the greater the GPM, the greater the flow or rinsing power produced.
- CU - Cleaning units express the efficiency of the pressure washer. Cleaning units are calculated by multiply the PSI by the GPM. The higher the CU, the more efficient the pressure washer.

Preparation

- Read all warning and instructions in this and all manuals that came with the pressure washer.
- Remove all toys, bikes, lawn furniture, etc. from the work area if they are not to be cleaned.
- Sweep any loose dirt and debris from the surface you will be pressure washing.
- Cover nearby plants to avoid damaging them with the pressure washer spray.
- Use caution when spraying windows. Always use the white, 40° nozzle and stay at least 4 feet away.
- Lay tarps down to collect paint chips and other debris blown off by the spray. Exterior paints used before 1977 may contain lead and will produce chips that will need to be collected and disposed of at a hazardous waste facility.
- To minimize water infiltration to the pressure washer motor, locate the pressure washer as far as possible from the cleaning site during operation.

Pressure Washing

- A wider spray equals faster cleaning, while a tighter spray equals deeper cleaning.
- Keep the nozzle about 4 feet away from siding to avoid damage.
- Start washing siding at the bottom and work your way up, then rinse from the top down.
- Avoid driving water up behind siding.
- Use overlapping strokes for even cleaning.
- Work in small areas to keep the soap from drying.
- Do not aim the nozzle straight at the surface. Hold the wand at a 45° angle to the surface at a distance that cleans well without causing damage.

Adjusting Surface Pressure

- Back away from the surface to be cleaned. The further you position the nozzle from the surface to be cleaned, the lower the pressure to reach the surface.
- Change to the white, 40° nozzle. This nozzle produces a lower pressure, wider width spray.

Adjusting Unloader Hand Control Knob to Adjust Pressure *(if equipped)*

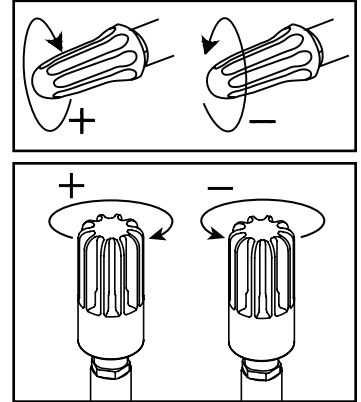


WARNING: HIGH PRESSURE

Do not remove the unloader hand control knob. Do not overtighten the unloader hand control knob. Overtightening the knob past the built-in stop may result in serious injuries, the knob breaking and/or costly repairs. Do not attempt to increase the pressure past the factory preset pressure.

The highest pressure setting is preset at the factory to achieve optimum pressure for cleaning. If you should need to lower the pressure, your unit may be equipped with an unloader hand control knob that allows you to adjust the pressure. The unloader hand control knob style may differ from those shown below.

- If equipped with an unloader hand control knob, lower the pressure by turning the unloader hand control knob counter-clockwise to the desired pressure.
- Turn the unloader hand control knob clockwise until it stops to return to the highest pressure setting preset at the factory.



TROUBLE SHOOTING

ISSUE	POSSIBLE CAUSE	SOLUTION
Engine will not start. Refer to the Engine Owner's Manual for more engine troubleshooting information.	The fuel tank is empty.	Add fresh fuel.
	Water pressure in the pump is preventing the engine from rotating.	Aim the spray gun in a safe direction then pull the trigger to release water pressure in the pump.
	Engine choke is in the wrong position.	Refer to the STARTING ENGINE section of this manual for the correct choke position.
	The spark plug lead is not attached to the plug.	Connect spark plug lead.
	Engine switch is in the OFF position.	Turn the engine switch to the ON position.
	Engine fuel valve is turned OFF.	Turn fuel valve ON.
	Engine oil is low. If the engine is equipped with a Low Oil Sensor, the engine will not start.	Check engine oil level. Fill per engine manual.

ISSUE	POSSIBLE CAUSE	SOLUTION
The pressure washer creates low or no water pressure.	There is air trapped in the pump and/or hoses.	Refer to the PURGING THE PUMP section of this manual to remove air from the pump and hoses
	Water source is insufficient.	Make sure the water source can supply at least 5 GPM at 20 PSI.
	The nozzle is clogged.	Clean nozzle per the MAINTENANCE section of this manual.
	The water inlet screen is clogged.	Clean the water inlet screen per the MAINTENANCE section of this manual.
	The high-pressure hose is too long.	The high-pressure hose should be less than 100 feet in length.
	Engine choke is in the CHOKE position.	Move engine choke to the RUN position.
	Will not draw in detergent.	Chemical build up in chemical injector.
Spray wand not in low pressure.		Insert black "soap" nozzle.
Detergent filter clogged.		Clean the filter.
Detergent filter is not submerged in the detergent.		Make sure the filter end of the detergent siphon hose is fully submerged in the detergent.
Detergent is too thick.		Dilute detergent. The detergent should be the same consistency as water.
High-pressure hose is too long.		Lengthen the water supply hose and shorten the high-pressure hose.
Detergent is dried inside of the detergent injector.		Contact customer service at 1-833-362-7368 or at cservice@fna-group.com
Water leaking at pump.	Loose connections.	Tighten the connections.
	Worn or torn O-ring.	Check and replace.
	Piston packing worn.	Contact customer service at 1-833-362-7368 or at cservice@fna-group.com
	Pump head or tubes damaged from freezing.	Contact customer service at 1-833-362-7368 or at cservice@fna-group.com
Pump or nozzle pulsates.	Nozzle obstructed.	Clean nozzle per the MAINTENANCE section of this manual.

ISSUE	POSSIBLE CAUSE	SOLUTION
Oil leaking from pump.	Loose drain plug.	Tighten.
	Worn drain plug O-ring.	Check and replace.
	Worn fill plug O-ring.	Check and replace.
	Pump oil overfilled.	Check for correct amount.
	Incorrect oil used.	Drain and fill with correct type and amount of oil.
	Vent plug is clogged.	Clean vent plug; blow air through vent to remove blockage. If problem persists, replace the plug.
Water leaking at gun/spray wand connection.	Oil seals worn.	Contact customer service at 1-833-362-7368 or at cservice@fna-group.com
	Worn or broken O-ring.	Check and replace.
E-start feature not working (if equipped).	Loose hose connection.	Tighten.
	Battery is not charged.	Charge the battery.
	Positive and negative battery wires disconnected.	Connect the positive and negative battery wires.

For additional help or to find your local authorized service location, call **1-833-362-7368** or email cservice@fna-group.com

MAINTENANCE



! DANGER: ELECTRICAL SHOCK

Disconnect battery ground [Negative (-)] terminal before servicing to avoid injury (if equipped).

For safety reasons, the manufacturer recommends all pressure washer service and repairs be performed by an authorized service center. All warranty replacements or repairs must be performed by an authorized distribution or service center. To find an authorized service center near you, make a warranty claim, or get authorized warranty repair, call 1-833-362-7368 or email cservice@fna-group.com.

It is the responsibility of the owner and/or operator to have all scheduled maintenance completed before operating the pressure washer. Be sure to follow the inspection and maintenance recommendations as listed in all the manuals that came with this unit.

Maintenance

Before each use, check pressure washer for leaks, loose or damaged parts, and any other condition that may affect proper operation. Be sure all safety guards are in place and in proper working order. Inspect all air vents and cooling slots to ensure they are clean and unobstructed. Repair or replace all damaged or defective parts with authorized parts immediately. For safety reasons, the manufacturer recommends all pressure washer service and repairs be performed by an authorized service center. Never attempt to repair a high-pressure hose.



WARNING: RISK OF BURNING

When performing maintenance, you may be exposed to hot surfaces, water pressure, or moving parts that can cause serious injury or death.



WARNING: RISK OF FIRE

Always disconnect spark plug wire, let the engine cool, and release all water pressure before performing any maintenance or repair. Injuries can result if system pressure is not reduced before attempting maintenance or disassembly. The engine contains flammable fuel. Do not smoke or work near open flames while performing maintenance.



WARNING: MODIFICATION INJURY

Never modify the product or any part of it. Damage or personal injury could result.

Cleaning the Pressure Washer

Always clean the pressure washer with the engine off and cool. To clean the pressure washer, first use an air compressor set at no more than 25 PSI to clear dirt and debris from the pressure washer surfaces, vents, and cooling slots. Then, wipe the exterior clean with a damp cloth.



NOTICE CLEANING

Water can damage the pressure washer engine components if allowed to enter through cooling slots or other holes. Damage caused by water intrusion is not covered under warranty. To avoid engine water damage, do not use a pressure washer, garden hose, or any other sources of running water to clean the pressure washer engine, and never submerge the pressure washer engine in any liquids.



NOTICE CHEMICAL CLEANERS

Using chemical cleaners and/or corrosive liquids can damage the pressure washer seals and internal components. Damage caused by chemical cleaners and corrosive liquids is not covered under warranty. To avoid these hazard, only use approved cleaning chemicals, never use bleach, and always run clean water through the pressure washer after using cleaning chemicals.

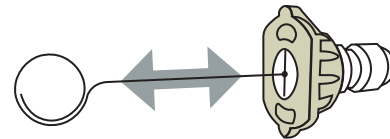
Connections

Hose, spray gun, and pump connections should be cleaned and lubricated with a thin film of lithium grease regularly to prevent o-ring damage and leaks.

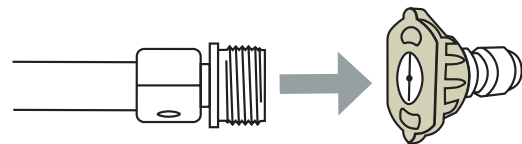
Nozzle Cleaning

If a nozzle becomes clogged, the pump may pulsate and spray patterns could change. If the nozzle is not cleaned, excessive pressure may develop possibly damaging the pump, or other accessories. Inspect nozzles before using them and follow the instructions in this section for the proper nozzle cleaning procedure.

1. Shut off the pressure washer.
2. Turn off the water supply.
3. Point the spray gun in a safe direction and squeeze the trigger to relieve water pressure.
4. Set the trigger lock.
5. Remove the nozzle from the lance quick connector.
6. Clear any obstructions from the nozzle by inserting the nozzle cleaning tool provided.

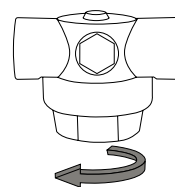


7. Rinse any loose debris from the nozzle by directing a running garden hose into the output of the nozzle for at least 30 seconds.

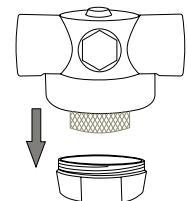


High-Pressure Pump Water Inlet Filter

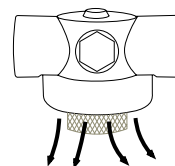
Before each use, check the inlet filter and clean by following the steps below. Never operate the pressure washer without the inlet filter properly installed.



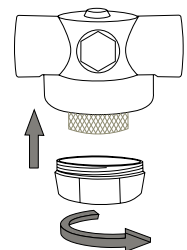
1. With the tank valve closed, unscrew the housing cover on the bottom of the water filter.



2. Remove any debris from around the mesh screen, inside the housing and the cover.



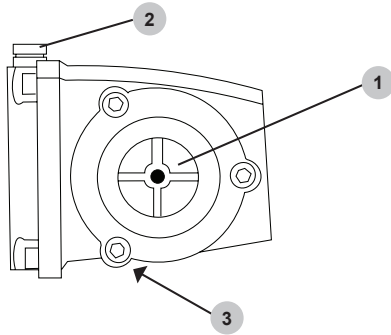
3. Turn the tank valve on for a few seconds to flush any debris out of the hose line from the tank.



4. Thread the housing cover into the bottom of the water filter housing; hand tighten.

Pump Maintenance

Note: The pump was filled with oil at the factory. The preferred oil is CAT or SIMPSON® Premium Pump Crankcase Oil. If this oil is not available, an SAE 15W-40 oil may be used. Change the oil after the first 50 hours of operation and every 100 hours thereafter or every 3 months.



1. Oil sight glass
2. Oil fill plug / vent cap
3. Oil drain plug (not shown)

How to Change the Pump Oil

1. Loosen the pump oil fill plug / vent cap.
2. Place a container under the oil drain plug.
3. Remove the oil drain plug.
4. After the oil has drained, insert the oil drain plug; tighten securely.
5. For AAA® pumps, refill with SIMPSON® Premium Pump Crankcase Oil. If this oil is not available, an SAE 15W-40 oil may be used. For CAT Pumps®***, refill using a non-detergent hydraulic oil (ISO68).
6. Make sure the oil level meets but does not exceed the dot in the center of the sight glass.
7. Insert the oil fill plug; tighten securely.

*** CAT Pumps® is a registered trademark of Diversified Dynamics Corporation.

Engine Maintenance

Before each use, check engine for loose or damaged parts, signs of oil or fuel leaks, and/or any other condition that may affect proper operation. Always keep all safety guards in place and in proper working order. Repair or replace all damaged or defective parts immediately.

For safety reasons, the manufacturer recommends all engine service and repairs (including emission control devices and systems) be performed by an authorized service center. All warranty replacements or repairs must be performed by an authorized distribution or service center. To find an authorized service center near you, obtain information about how to make a warranty claim, or to make arrangements for authorized warranty repairs, please call 1-833-362-7368 or email cservice@fna-group.com.

For all other information on engine maintenance, refer to the engine manual.

STORAGE AND TRANSPORTATION

Storing for Two Months or Less

(or when freezing temperatures are expected).

1. Fill fuel tank per the ENGINE PREPARATION section of this manual then add a fuel stabilizer per the manufacturer's recommendations. **NOTE:** Using a fuel stabilizer (sold separately) when storing gasoline may help prevent problems related to alcohol blended fuels in outdoor power equipment engines. Always follow the instructions provided by the fuel stabilizer manufacturer to mix and use correctly.
2. Make sure the tank has enough water to run the pump for about ten minutes.
3. Complete the steps in the OPERATING CHECKLIST and CONNECTING SPRAY GUN sections of this manual
4. Start the engine per the STARTING section of this manual and run it for ten (10) minutes to allow the stabilized fuel to circulate through the entire fuel system. Be sure to squeeze the trigger to keep water flowing through the pump and spray gun to avoid overheating.
5. Turn the engine switch to the OFF position.
6. Squeeze the spray gun trigger to relieve the pressure in the hose and pump then drain the high pressure hose.
7. Using the three-way valve under the water tank, drain the tank.
8. Allow the engine to cool completely.
9. Protect the pump by using SIMPSON® Pump Guard per the USING PUMP GUARD section of this manual.
10. Store the trailer in a clean, dry area out of direct sunlight.

Storing for More Than Two Months

1. Make sure the engine is completely cool.
2. Remove all the fuel from fuel tank, fuel lines, and carburetor by loosening the drain screw at the bottom of the carburetor and draining fuel into an appropriate container.
3. With the spark plug(s) disconnected, change the engine oil.
4. Remove any dirt and debris from the area around the spark plug(s), then use a spark plug socket or wrench to remove the spark plug(s).
5. Pour .5 ounces (15 ml) of new oil into the engine combustion chamber, then slowly crank the engine by pulling the recoil two (2) times -or- use the electric starter for one second, to distribute oil and lubricate the cylinder.
6. Install the spark plug(s).
7. Unreel the high-pressure hose to drain it; re-spool onto the reel.
8. Using the three-way valve under the water tank, drain the tank.
9. Using SIMPSON Pump Guard or an equivalent is recommended when storing the unit for more than 30 days and/or when freezing temperatures are expected.
10. Store the trailer in a clean, dry area out of direct sunlight.

Transportation

Be sure to read and completely understand both the "Utility Trailer Owner's Manual" and the "Mobile Pressure Cleaning Trailer / Water Trailer Additional Instructions" sheet before towing the trailer.

USING SIMPSON® PUMP GUARD



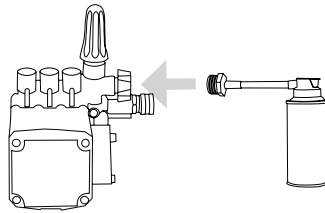
NOTICE PUMP DAMAGE

Leaving water inside the pump during freezing weather will cause severe damage to the pump. To avoid costly damage, always treat the pump with SIMPSON® Pump Guard to remove the trapped water and to fill the pump with a lubricating, antifreeze solution.

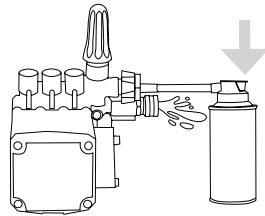
SIMPSON® Pump Guard (purchase separately) is formulated to protect your pump during long-term storage and from freezing damage. Pump Guard should be used throughout the season to keep the seals pliable and well lubricated. Before storing the unit for winter or for when there is a chance of freezing weather, use pump guard to remove all traces of water from the internal cavities while filling them with an antifreeze solution. Pump Guard is insurance for your investment, use it.

Simply use Pump Guard by following these easy steps:

1. Screw the Pump Guard adapter into the garden hose input on the pump.



2. Press and hold down on the button until all the water and the Pump Guard starts to come out of the high pressure port.



3. Unscrew the Pump Guard from the pump then prepare the pressure washer for storage as outlined in STORAGE AND TRANSPORTATION.

COMMERCIAL LIMITED WARRANTY

WARRANTY COVERAGE TERMS:

The manufacturer of this product agrees to repair or replace designated parts that prove defective within the warranty period listed below at the manufacturer's sole discretion. Specific limitations / extensions and exclusions apply.

This warranty covers defects in material and workmanship and not parts failure due to normal wear, depreciation, abuse, accidental damage, negligence, improper use, maintenance, water quality or storage. Normal wear items include, but are not limited to, items such as valves and seals, which are not covered by this warranty. To make a claim under the terms of the warranty, all parts said to be defective must be retained and available for return upon request to a designated Warranty Service Center for warranty inspection. The judgments and decisions of the manufacturer concerning the validity of warranty claims are final.

This limited warranty extends only to the consumer who originally purchased the new product from the manufacturer or from an authorized seller of the product. It does not extend to any subsequent owner or through consumer transfer of the product, and cannot be provided by any unauthorized seller of the product. Factory authorized and trained Warranty Service Centers will honor the terms of all component warranties and satisfy claims of the appropriate warranty provisions.

This warranty replaces all other warranties, express or implied, including without limitation and warranties of merchantability or fitness for a particular purpose and all such warranties are hereby disclaimed and excluded by the manufacturer. The manufacturer's warranty obligation is limited to repair and replacement of defective products and provided herein and the manufacturer shall not be liable for any further loss, damages, or expenses - including damages from shipping, accident, abuse, acts of God, misuse, or neglect. Neither is damage from repairs using parts not purchases from the manufacturer or alterations performed by non-factory authorized personnel. Failure to install and operate equipment according to the guidelines put forth in the instruction manual shall void warranty.

THIS WARRANTY DOES NOT COVER:

Damage resulting from shipping (claims must be filed with freighter), accident, abuse, act of God, misuse, or neglect. This warranty also does not cover damage from repairs or alterations performed by non-factory authorized personnel or failure to install and operate equipment according to the guidelines put forth in the instruction manual. The manufacturer will not be liable to any persons for consequential damage, for personal injury, or for commercial loss.

RESPONSIBILITY OF ORIGINAL PURCHASER (INITIAL USER):

To process a warranty claim on your SIMPSON® pressure washer, report the concern to 1-833-362-7368 or cservice@FNA-GROUP.COM for authorization and direction to the nearest authorized service center in your area. Retain original cash register sales receipt as proof of purchase for warranty work. Use reasonable care in the operation and maintenance of the product as described in the Operator's Manual(s).

WHAT THE WARRANTY DOES NOT COVER:

- Freight damage
- Damage due to chemical deterioration, salt water, rust or corrosion
- Damage caused by parts or accessories not obtained from an authorized dealer or not approved by the manufacturer
- Normal wear of moving parts or components affected by moving parts
- Consumable parts such as: Fuel filter, air filter, spark plug(s), recoil starter rope, oil and lubricant(s)
- Normal periodic maintenance work such as carburetor cleaning and engine oil draining
- Freeze damage

WARRANTY COVERAGE PERIODS:

ENGINE AND EMISSIONS CONTROL SYSTEM

- Covered by engine manufacturer warranty. See engine manual.

HIGH PRESSURE PUMP (DEFECTS IN MATERIAL AND WORKMANSHIP)

- FIVE (5) years from date of purchase

FRAME (DEFECTS IN MATERIAL AND WORKMANSHIP)

- ONE (1) year from date of purchase

ACCESSORIES (DEFECTS IN MATERIAL AND WORKMANSHIP)

- Nozzles, hoses, spray guns, wands, tires, rubber feet: Ninety (90) days from date of purchase

NOTES

THIS PAGE WAS INTENTIONALLY LEFT BLANK



READ THIS MANUAL CAREFULLY BEFORE OPERATION

Failure to follow the instructions and safety precautions in this manual can result in property damage, serious injury and/or death.

SAVE THIS MANUAL FOR FUTURE REFERENCE

Copyright © 2026 FNA-Group, Inc. All rights reserved.



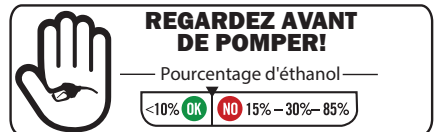
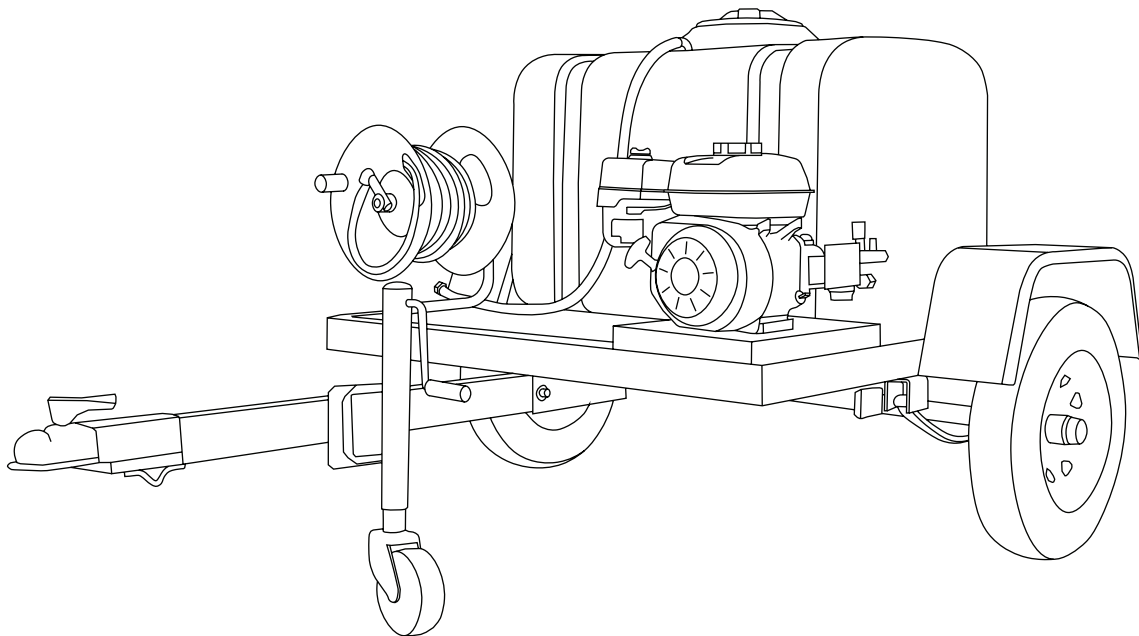
LAVEUR SOUS PRESSION

GUIDE D'UTILISATION ET D'ENTRETIEN

Pour les remorques de lavage sous pression à l'eau froide



**PAS À VENDRE DANS
L'ÉTAT DE CALIFORNIE**



LIRE ATTENTIVEMENT CE GUIDE AVANT L'UTILISATION

Le fait de ne pas suivre les instructions et les précautions de sécurité de ce guide peut entraîner des dommages matériels, des blessures graves et/ou la mort.

Si le laveur sous pression ne fonctionne pas ou si des pièces sont manquantes ou endommagées, veuillez **NE PAS LE RETOURNER AU LIEU D'ACHAT**. Contactez notre service à la clientèle par téléphone au **1-833-362-7368** ou par courriel à **cservice@fna-group.com**

CONSERVEZ CE GUIDE POUR RÉFÉRENCE ULTÉRIEURE

REMARQUE : Les photographies et les schémas utilisés dans ce guide sont donnés à titre indicatif uniquement et peuvent ne pas représenter votre modèle spécifique.

CONSERVER CE GUIDE POUR UNE UTILISATION ULTÉRIEURE

Conservez ce manuel pour référence future. Ce manuel doit être considéré comme une partie permanente du produit et rester avec lui. Ce manuel doit être accessible à toute personne utilisant le(s) produit(s) qu'il couvre. Ce manuel doit accompagner le(s) produit(s) qu'il couvre s'il est vendu à un nouveau propriétaire. Si le manuel est endommagé, perdu ou inutilisable, vous pouvez télécharger une nouvelle copie à partir des pages produits à l'adresse :

www.simpsoncleaning.com

Notez le numéro de modèle, le numéro de série et la date d'achat de ce produit dans les espaces prévus ci-dessous, puis conservez ce guide avec le(s) reçu(s) d'achat pour toute référence ultérieure.

Numéro de modèle : _____

Numéro de série : _____

Date d'achat : _____



AVERTISSEMENT DE LA PROPOSITION 65 DE LA CALIFORNIE

Ce produit et les gaz d'échappement du moteur peuvent vous exposer à des produits chimiques connus dans l'État de Californie pour provoquer des cancers, des anomalies congénitales ou d'autres problèmes de reproduction. Pour plus d'informations sur la proposition 65 de l'État de Californie, consultez le site www.P65Warnings.ca.gov.



AVERTISSEMENT SUR LES HYDROCARBURES AROMATIQUES POLYCYCLIQUES

L'élément du filtre à air et l'ensemble de la boîte à air peuvent contenir des hydrocarbures aromatiques polycycliques (HAP). Certains HAP peuvent provoquer le cancer. Pour éviter toute exposition aux HAP, portez des gants lors de l'entretien du filtre à air.

DANGER:

Assurez-vous de lire et de bien comprendre le « Manuel du propriétaire de la remorque utilitaire » et la feuille « Instructions supplémentaires pour la remorque de nettoyage à pression mobile / remorque à eau » avant de remorquer la remorque. Si vous avez égaré votre copie du manuel, contactez notre service client en appelant le **1-833-362-7368** ou en envoyant un e-mail à cservice@fna-group.com

TABLE DES MATIÈRES

INSTRUCTIONS DE SÉCURITÉ	1
Lire ce guide avant l'utilisation	1
Instructions supplémentaires	1
Symboles d'alerte de danger	1
CLAUSES DE NON-RESPONSABILITÉ	2
ÉQUIPEMENT DE PROTECTION INDIVIDUELLE	2
DÉBALLAGE / INSTALLATION DE LA LANGUETTE DE LANGUE	2
Installation de la langue de remorque	2
Languette de remorque à charnière rabattable	3
ASSEMBLAGE	4
Évent de ventilation de la pompe	4
Assembler le pistolet de pulvérisation	4
Placement des buses	4
Connexion d'une batterie	4
EMPLACEMENT DES COMPOSANTS	5
Remorque à moteur monocylindre	5
Remorque à moteur bicylindre	5
Vue arrière de la remorque	5
Composants de pompe haute pression	5
Commandes moteur monocylindre	5
SOUPAPE DU RÉSERVOIR D'EAU	6
REEMPLIR LE RÉSERVOIR D'EAU	7
RACCORDEMENT DU PISTOLET PULVÉRISATEUR	7
BUSES	8
Sélection de la buse	8
Installation de la buse	8
UTILISATION DE PRODUITS CHIMIQUES	8
LISTE DE CONTRÔLE DE FONCTIONNEMENT	8
Emplacement	8
Fonctionnement à haute altitude	9
Conditions de fonctionnement	9
Vérification de l'huile moteur - Moteur monocylindre	10
Vérification de l'huile moteur - Moteur bicylindre	11
Vérification du carburant - Moteur monocylindre	11
Vérification du carburant - Moteur bicylindre	12
DÉMARRAGE DU MOTEUR	12
Démarrage du moteur - Moteur monocylindre	12
Démarrage du moteur - Moteur bicylindre	13
ARRÊT DU MOTEUR	14

CONSEILS D'UTILISATION	14
Termes	14
Préparation	14
Lavage sous pression	14
Réglage de la pression de surface	14
Réglage du bouton de commande manuelle du déchargeur pour régler la pression	15
DÉPANNAGE	15
ENTRETIEN	16
Entretien	16
Nettoyage du laveur sous pression	17
Raccords	17
Nettoyage des buses	17
Filtre d'entrée d'eau de pompe haute pression	17
Entretien de la pompe	17
Entretien du moteur	18
ENTREPOSAGE ET TRANSPORT	18
Entreposage pendant deux mois ou moins	18
Stockage pendant plus de deux mois	18
Transport	18
UTILISATION DE LA PROTECTION DE POMPE SIMPSON®	19
GARANTIE	20

INSTRUCTIONS DE SÉCURITÉ



LIRE CE GUIDE AVANT L'UTILISATION

Ce guide contient des informations et des instructions de sécurité importantes. **N'utilisez pas** ce produit avant d'avoir lu et compris toutes les instructions de sécurité, d'utilisation et d'entretien figurant dans ce guide. Le fait de ne pas suivre les instructions et les précautions de sécurité de ce guide peut entraîner des dommages matériels, des blessures graves et/ou la mort.

REMARQUE : Les avertissements et les précautions abordés dans ce guide ne peuvent pas couvrir toutes les conditions et situations pouvant se produire. L'utilisateur doit comprendre que la sensibilisation et la prudence sont des facteurs qui ne peuvent pas être intégrés à ce produit et qu'ils doivent donc être exercés par l'utilisateur.



INSTRUCTIONS SUPPLÉMENTAIRES

En plus de ce guide, lisez attentivement toutes les instructions supplémentaires fournies sur et avec le produit, l'équipement annexe, les accessoires et le moteur qui alimente le produit. Portez une attention particulière à toutes les règles de sécurité supplémentaires et aux instructions concernant les procédures de démarrage, d'utilisation et d'arrêt. Utilisez toujours les vêtements de protection recommandés qui peuvent être nécessaires pour utiliser l'équipement en toute sécurité.



SYMBOLES D'ALERTE DE DANGER

Veillez à bien comprendre les symboles de sécurité et les définitions énumérés ci-dessous. Chaque symbole contient l'un des quatre mots suivants : **DANGER**, **AVERTISSEMENT**, **ATTENTION**, **AVIS**, indiquant différents niveaux de risque. Ces symboles sont utilisés tout au long de ce guide et sont suivis d'informations sur un danger précis, les conséquences de ce danger et des instructions sur la façon d'éviter ce danger. Si vous ne tenez pas compte de ces symboles et ne suivez pas les instructions qui leur sont fournies, vous risquez de subir des dommages matériels, des blessures et/ou la mort.

! DANGER:

Indique une situation dangereuse imminente qui, si elle n'est pas évitée, entraînera des dommages matériels, des blessures graves et/ou la mort.

! AVERTISSEMENT:

Indique une situation potentiellement dangereuse qui, si elle n'est pas évitée, peut entraîner des dommages matériels, des blessures graves et/ou la mort.

! ATTENTION:

Indique une situation dangereuse qui, si elle n'est pas évitée, peut entraîner des dommages matériels et/ou des blessures légères à modérées.

AVIS

Indique des informations considérées comme importantes, mais qui ne sont pas directement liées au danger.



AVERTISSEMENT: PRATIQUES DANGEREUSES

N'utilisez pas l'appareil lorsque vous êtes fatigué ou sous l'influence de drogues et/ou d'alcool. Restez vigilant à tout moment. Ne vous étendez pas trop ou ne vous tenez pas sur une surface instable. La pulvérisation ne doit pas se faire en se tenant sur une échelle. La force réactive de la pulvérisation provoque un rebond du pistolet de pulvérisation et risque de faire glisser ou tomber l'opérateur ou de mal orienter la pulvérisation. Une mauvaise maîtrise du pistolet de pulvérisation peut entraîner des blessures à soi-même ou à d'autres personnes. Saisissez fermement le pistolet de pulvérisation à deux mains. Prévoyez un rebond du pistolet de pulvérisation lorsqu'il est déclenché. Ne pointez jamais le pistolet de pulvérisation vers des personnes et/ou des animaux et ne les aspergez pas.

ATTENTION



RISQUE DE TRÉBUCHE

Les tuyaux peuvent présenter un risque de trébuchement pouvant entraîner des blessures résultant d'une chute.

ATTENTION:

RISQUES DE GLISSEMENT ET DE TRÉBUTS

Lors du lavage à haute pression dans les espaces publics, des panneaux doivent être affichés indiquant de rester à l'écart de la zone pendant le lavage à haute pression. De plus, des panneaux doivent être affichés indiquant que la surface peut être glissante et qu'il peut y avoir des risques de trébuchement.

Une attention particulière doit être portée à la sécurité non seulement de l'opérateur du nettoyeur haute pression, mais également des personnes qui peuvent se trouver à proximité de la zone à nettoyer. La meilleure façon d'avertir les personnes sans méfiance est d'utiliser des panneaux de signalisation et des barrières.

Les barrières peuvent être aussi simples que des cônes de signalisation en plastique ou des barricades à l'aide de ceintures de barrière autour de la zone à nettoyer. N'oubliez pas que le lavage à pression peut déloger une chaussée faible ou cassée, la transformant en projectiles pouvant blesser d'autres personnes. Garder les gens à l'écart de la zone est le meilleur moyen d'éviter les blessures.

La chaussée mouillée peut être glissante pour les personnes sans méfiance, causant des blessures causées par des glissades et des chutes. Les flexibles à haute et basse pression peuvent être des risques de trébuchement. Séparer la zone et placer une signalisation appropriée peut réduire les blessures.

Exemples de panneaux



Exemples de barrières



AVIS

Cet appareil n'est pas destiné à être utilisé par des personnes dont les capacités physiques, sensorielles ou mentales sont réduites, ou qui manquent d'expérience et de connaissances, à moins qu'elles n'aient bénéficié d'une surveillance ou d'instructions concernant l'utilisation de l'appareil de la part d'une personne responsable de leur sécurité.

Les enfants doivent être surveillés afin de s'assurer qu'ils n'utilisent pas ou ne jouent pas avec l'appareil.

CLAUSES DE NON-RESPONSABILITÉ

- Tous les renseignements dans cette publication sont basés sur les derniers renseignements disponibles sur le produit au moment de l'impression. Le groupe FNA se réserve le droit de mettre à jour, de modifier et/ou d'améliorer le produit et ce document à tout moment, sans préavis et sans encourir aucune obligation.
- Ce guide peut concerner plusieurs machines. Les images et les figures du guide ne doivent être utilisées qu'à titre de référence. Il peut y avoir des différences entre votre produit et les images, les schémas et les diagrammes de ce guide.

ÉQUIPEMENT DE PROTECTION INDIVIDUELLE

Il est important de comprendre quel équipement de protection individuelle (EPI) doit être utilisé lors de l'utilisation de votre laveur sous pression. Des objets légers ou mal fixés peuvent se transformer en projectiles dangereux. Vous trouverez ci-dessous une liste des équipements de protection individuelle qui doivent être utilisés à tout moment lors de l'utilisation d'un laveur sous pression.

Ouïe : Bouchons d'oreilles ou casques pour protéger votre ouïe.

Vision : Lunettes de sécurité Z87.1 approuvées par l'ANSI ou lunettes de protection pour protéger vos yeux.

Vêtements : Pantalon long et chemise à manches longues pour protéger vos jambes et vos bras des débris volants

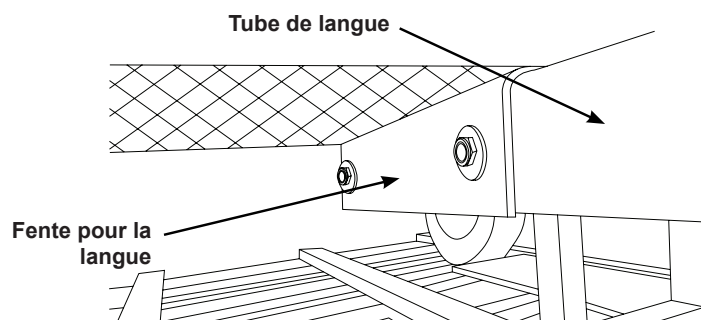
Chaussures : Chaussures à semelle en caoutchouc recouvrant entièrement les pieds pour les protéger contre les débris, les embruns et les chocs électriques.

DÉBALLAGE / INSTALLATION DE LA LANGUETTE DE LANGUE

Suivez les étapes décrites dans cette section pour déballer et assembler votre remorque de nettoyeur haute pression. Si vous avez des questions concernant le déballage ou l'assemblage de votre remorque de nettoyeur haute pression, veuillez préparer votre numéro de modèle et votre numéro de série, puis contactez le service client au 1-833-362-7368 ou par courrier électronique à cservice@fna-group.com.

Installation de la languette de remorque (le cas échéant)

- Détachez et déballer l'ensemble de languette de la caisse de la remorque.
- Faites glisser l'ensemble de languette dans la fente située sous la partie avant de la remorque.

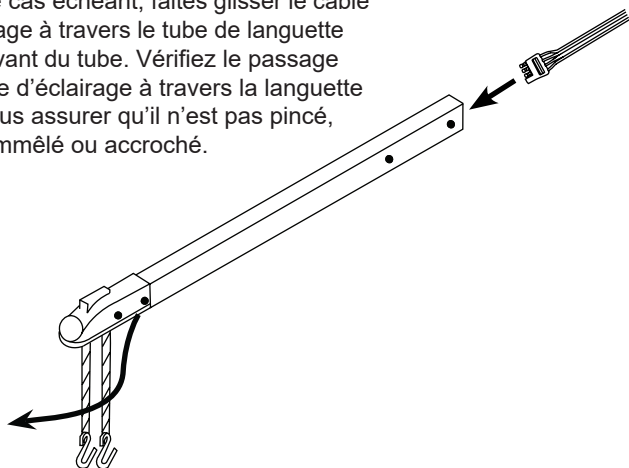


ATTENTION:

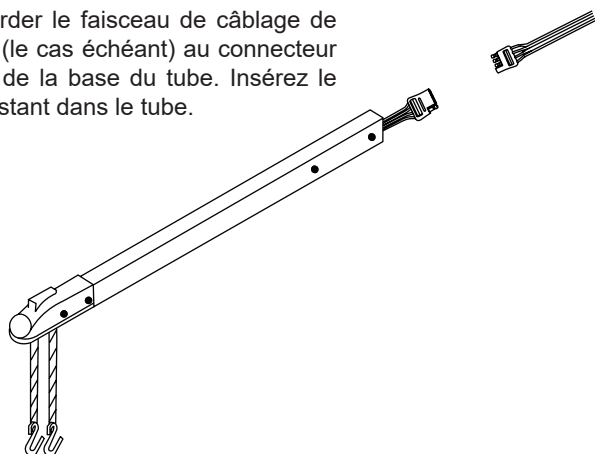
POINT DE PINCEMENT

Évitez de placer les mains entre l'assemblage de la languette et la fente lors de l'assemblage pour éviter tout pincement.

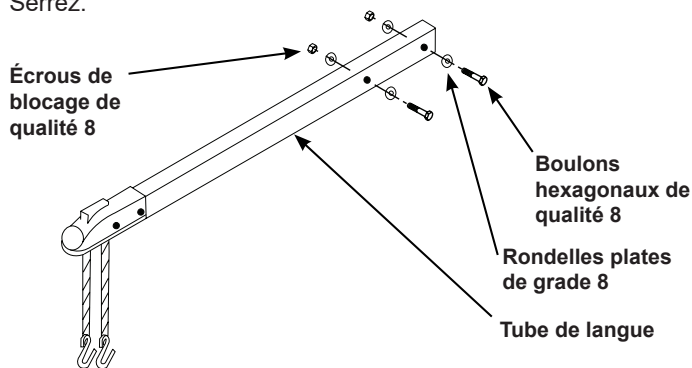
3A. Le cas échéant, faites glisser le câble d'éclairage à travers le tube de languette vers l'avant du tube. Vérifiez le passage du câble d'éclairage à travers la languette pour vous assurer qu'il n'est pas pincé, étiré, emmêlé ou accroché.



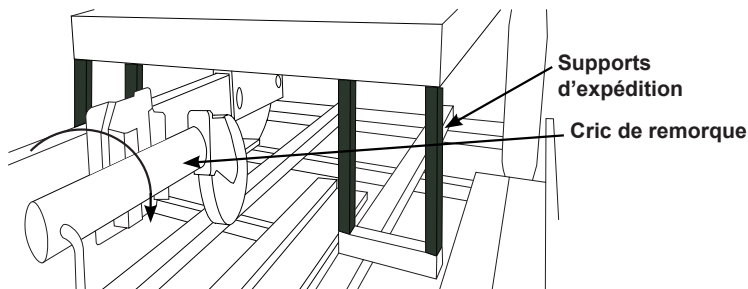
3B. Raccorder le faisceau de câblage de l'éclairage (le cas échéant) au connecteur situé près de la base du tube. Insérez le câblage restant dans le tube.



4. Le matériel est situé sur le plateau avant en treillis métallique. Montez le matériel de langue à travers la tube de langue et le tube pour la langue, en veillant à ne pas pincer le câble d'éclairage. Serrez.



5. Faites pivoter le cric vers le bas. Abaissez davantage le cric pour alléger le poids des supports d'expédition avant en bois. Une fois le poids retiré, les supports peuvent être retirés.



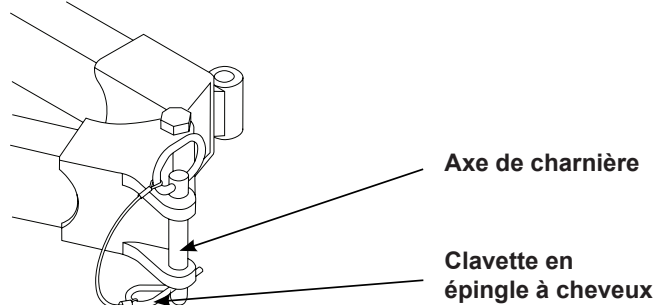
6. Retirer la sangle d'arrimage à cliquet de l'arrière de la remorque.

Langue de remorque à charnière rabattable (le cas échéant)

Le timon de remorque à charnière rabattable a été installé pour vous en usine.

Le but de la charnière est de vous permettre de replier le timon de la remorque lorsqu'il n'est pas utilisé, permettant ainsi de raccourcir la longueur de la remorque pour le stockage.

Lorsque vous êtes prêt à remorquer la remorque, faites pivoter le timon vers l'avant puis verrouillez la charnière avec l'axe de charnière ; fixez-le avec la goupille fendue. Une fois que le timon de la remorque est connecté à la boule d'attelage du véhicule de remorquage, connectez les chaînes de sécurité au véhicule de remorquage.



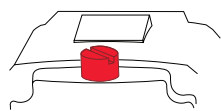
Assurez-vous de lire et de bien comprendre le « Manuel du propriétaire de la remorque utilitaire » et la feuille « Instructions supplémentaires pour la remorque de nettoyage à pression mobile / remorque à eau » avant de remorquer la remorque.

ASSEMBLAGE

Évent de ventilation de la pompe

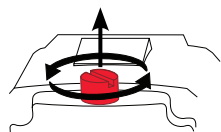
La pompe haute pression peut avoir un évent qui nécessite votre attention avant d'utiliser la laveuse pour la première fois. Veuillez voir ci-dessous le style que vous pourriez avoir.

OU

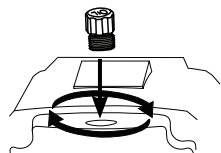


Une casquette ROUGE

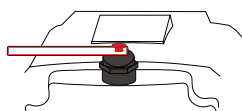
1. À l'aide d'un tournevis à lame plate, retirez le bouchon d'expédition ROUGE du haut de la pompe.



2. Vissez à la main le bouchon de reniflard NOIR dans la pompe.

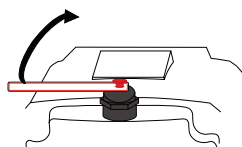


3. Serrez le capuchon avec vos doigts.

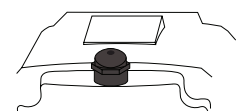


Bouchon d'expédition ROUGE

1. Saisissez l'étiquette et retirez-la ainsi que le bouchon d'expédition en caoutchouc ROUGE.

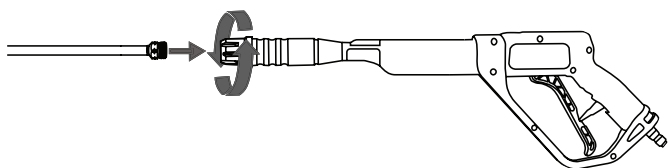


2. Le reniflard est maintenant correctement ouvert.



Assembler le pistolet de pulvérisation

1. Fixez la lance au pistolet en tournant avec précaution le coupleur du pistolet de pulvérisation jusqu'à ce que le coupleur cesse de tourner. Ne serrez pas trop fort. La plupart des filetages de la lance ne seront pas visibles si la lance et le pistolet sont correctement assemblés. Assurez-vous de ne pas croiser les filetages du pistolet et de la lance.



AVERTISSEMENT: BLESSURE PAR INJECTION

Risque d'injection de liquide. Lorsque vous utilisez des lances ou des pistolets de recharge avec ce laveur sous pression, n'utilisez pas une lance et/ou une combinaison lance/pistolet de pulvérisation dont la longueur est inférieure à celle fournie avec ce laveur sous pression, mesurée de l'extrémité de la buse de la lance à la gâchette du pistolet de pulvérisation.

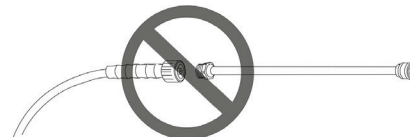


AVERTISSEMENT: ASSEMBLAGE INCORRECT

Veillez à ce que toutes les pièces soient assemblées dans l'ordre et l'orientation indiqués dans ce guide. Le fait de ne pas assembler correctement les pièces peut entraîner des blessures graves et/ou des dommages matériels.

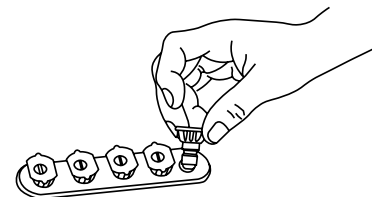
Les filetages de la lance et du coupleur du pistolet peuvent facilement être croisés, ce qui entraînerait un assemblage incorrect. Un assemblage incorrect du pistolet et de la lance peut entraîner des blessures. Ne pas utiliser si les filetages du coupleur du pistolet et/ou de la lance sont à filetage croisé.

N'enfilez pas la lance directement sur le tuyau à haute pression. Fixez toujours la lance au pistolet de pulvérisation et le pistolet de pulvérisation au tuyau à haute pression, afin d'éviter des blessures graves.



Placement des buses

Retirer les buses colorées à connexion rapide du sac en plastique et insérez-les dans les œillets en caoutchouc à côté de leur couleur correspondante sur l'étiquette.



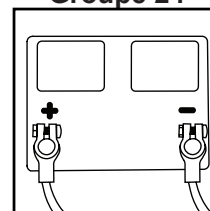
ATTENTION: PRESSION NOMINALE

N'utilisez que des accessoires ou des pièces de rechange d'une puissance égale ou supérieure à celle du laveur sous pression afin d'éviter des blessures graves, des dommages au laveur sous pression et/ou des dommages aux accessoires.

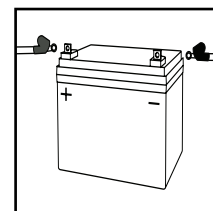
Connexion d'une batterie (si équipée)

Le nettoyeur haute pression n'est pas fourni avec une batterie. Vous devez installer une batterie de taille Groupe 24 ou U1 avant d'utiliser le nettoyeur haute pression. Consultez votre nettoyeur haute pression pour déterminer la taille requise, comme indiqué ci-dessous. Avant d'utiliser la fonction de démarrage électrique, la batterie doit être complètement chargée et le câble de démarrage du nettoyeur haute pression doit être connecté au port de connexion de la batterie.

Groupe 24



U1



*Les styles de batterie peuvent varier

1. Retirer le couvercle du boîtier de la batterie.
2. Placez soigneusement la batterie dans le boîtier de la batterie.
3. Placer le câble rouge positif (+) de la batterie sur la borne positive (+) de la batterie. Serrez la pince.
4. Placer le câble noir négatif (-) de la batterie sur la borne négative (-) de la batterie. Serrez la pince.
5. Remplacer le couvercle sur le boîtier de la batterie.

AVERTISSEMENT! Retirer toujours le câble de batterie noir négatif (-) en premier et connectez toujours le câble de batterie noir négatif (-) en dernier.



⚠ DANGER:

RISQUE DE BRÛLURES ACIDES

Les batteries contiennent de l'acide qui peut provoquer de graves brûlures cutanées et/ou des lésions oculaires, et peut être mortel en cas d'ingestion. N'essayez pas de démonter la batterie et ne l'inclinez pas. Lorsque vous manipulez la batterie, portez des lunettes de sécurité et des gants résistants aux produits chimiques. Ne mangez pas, ne buvez pas, ne fumez pas et n'utilisez pas de flamme nue à proximité de la batterie. Lavez-vous soigneusement les mains après avoir manipulé la batterie. En cas d'exposition à l'acide de la batterie ou de gonflement, de rougeur, de respiration douloureuse, de vomissements, de cécité et/ou de brûlures, contactez immédiatement un centre antipoison ou un médecin !



⚠ AVERTISSEMENT:

CHOC ÉLECTRIQUE

Retirez toujours le câble noir négatif (-) de la batterie en premier et connectez toujours le câble noir négatif (-) de la batterie en dernier.



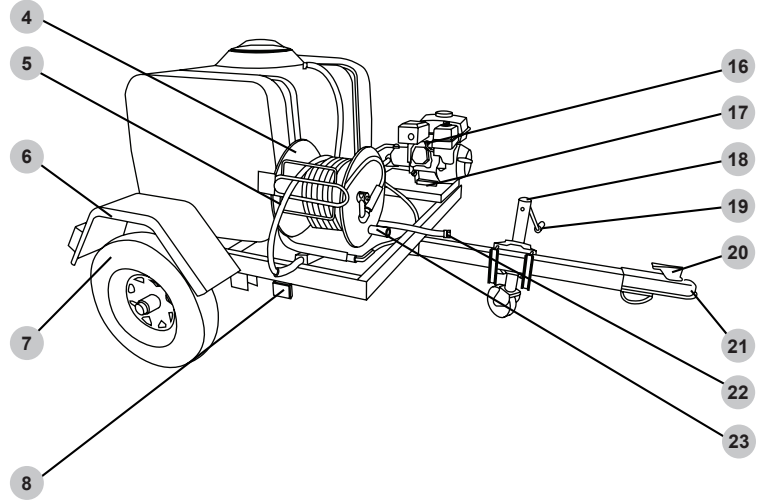
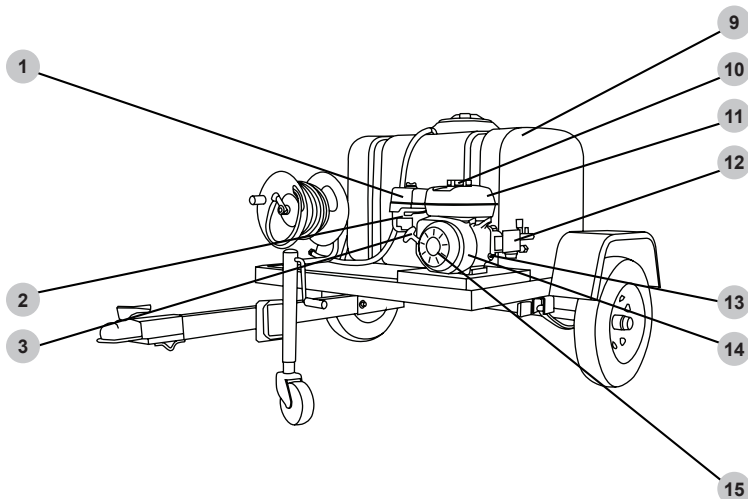
⚠ DANGER:

RISQUE D'EXPLOSION OU D'INCENDIE

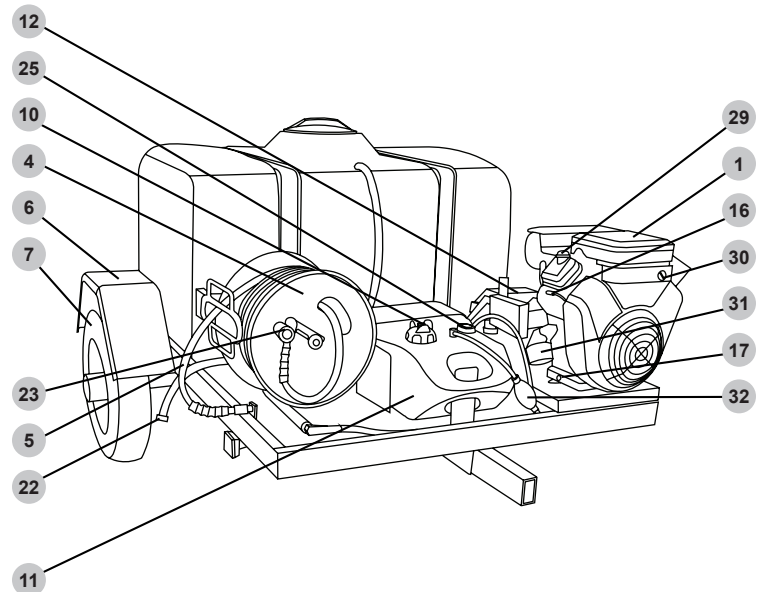
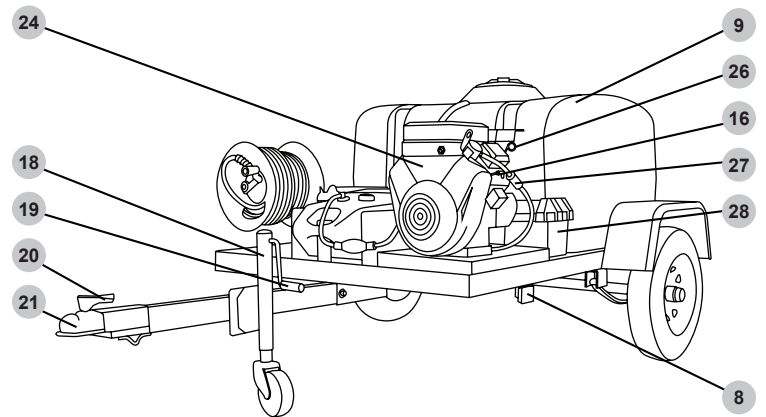
Pour réduire le risque de choc électrique ou d'explosion, ne court-circuitez pas les bornes de la batterie et ne chargez pas dans un récipient scellé. Éloignez les étincelles et les flammes. Gardez la batterie éloignée d'autres objets métalliques comme des trombones, des pièces de monnaie, des clés, des clous, des vis ou d'autres petits objets métalliques pouvant établir une connexion d'une borne à une autre. N'utilisez pas d'outils métalliques pour les connexions. Les objets métalliques peuvent établir une connexion d'un terminal à un autre. Un court-circuit entre les bornes de la batterie peut provoquer des étincelles, des brûlures ou un incendie.

EMPLACEMENT DES COMPOSANTS

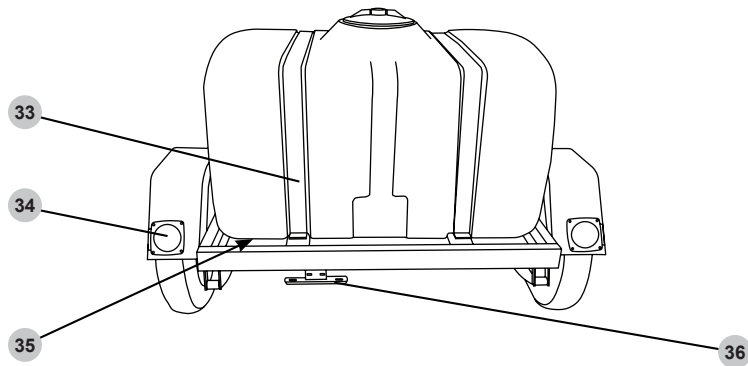
Remorque à moteur monocylindre



Remorque à moteur bicylindre

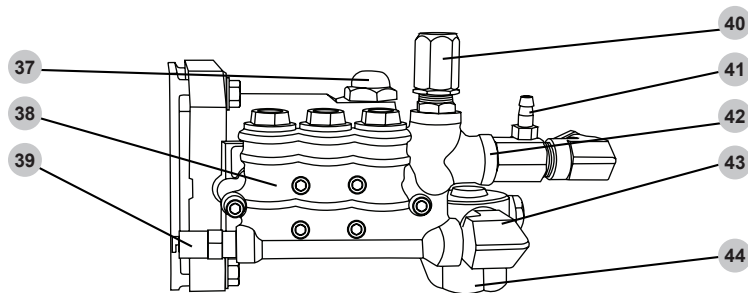


Vue arrière de la remorque

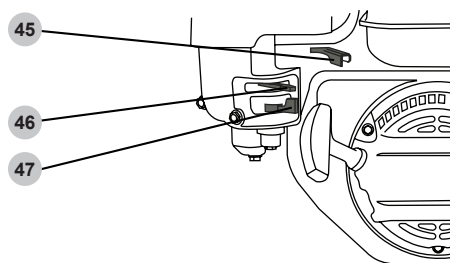


Composants de pompe haute pression

(le style et les composants de la pompe peuvent varier)



Commandes moteur monocylindre

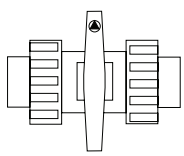


1. Boîtier de filtre à air moteur
2. Commandes moteur
3. Poignée de démarreur à rappel du moteur
4. Enrouleur de tuyau haute pression
5. Tuyau haute pression
6. Aile de roue
7. Pneu
8. Feu de position latéral (ambre)
9. Réservoir d'eau
10. Bouchon de réservoir de carburant
11. Réservoir d'essence
12. Pompe à haute pression
13. Bouchon de remplissage d'huile / jauge
14. Interrupteur marche/arrêt du moteur
15. Moteur monocylindre
16. Bougie d'allumage
17. Bouchon de vidange d'huile moteur
18. Cric de remorque
19. Poignée de cric
20. Levier de verrouillage de l'attelage
21. Attelage à boule
22. Coupleur de tuyau d'arrosage pour remplir le réservoir d'eau
23. Poignée pour enrouleur de tuyau
24. Moteur bicylindre
25. Jauge de carburant
26. Jauge d'huile moteur
27. Filtre à carburant
28. Boîtier de batterie
29. Bouchon de remplissage d'huile moteur
30. Interrupteur marche/arrêt de la clé moteur
31. Filtre à huile moteur
32. Poire d'amorçage
33. Sangles de réservoir
34. Feux stop (rouges)
35. Vanne du réservoir d'eau (non illustrée)
36. Support de plaque d'immatriculation
37. Bouchon de remplissage d'huile de pompe / reniflard
38. Collecteur de pompe
39. Soupape de décharge thermique
40. Déchargeur
41. Barbe d'injection de détergent (savon)
42. Sortie de pompe
43. Entrée de la pompe
44. Boîtier de filtre à eau
45. Accélérateur du moteur (le cas échéant)
46. Starter du carburateur du moteur (le cas échéant)
47. Robinet de carburant du moteur (le cas échéant)

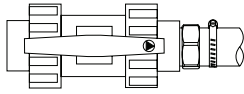
SOUPAPE DU RÉSERVOIR D'EAU (si équipé)

Sous le réservoir d'eau se trouve une vanne à trois voies. Cette vanne vous permet de contrôler le débit d'eau du réservoir, y compris la vidange du réservoir par temps de gel. Lorsque la poignée de la vanne est perpendiculaire au corps de la vanne, la vanne est en position fermée (aucune eau ne s'écoulera du réservoir).

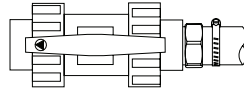
En plaçant la poignée de la vanne parallèlement au corps de la vanne, la vanne est ouverte permettant à l'eau de s'écouler dans le sens de la flèche sur la poignée de la vanne. Lorsque la flèche pointe vers le tuyau menant à la pompe haute pression, le réservoir est prêt à alimenter la pompe en eau. En plaçant la poignée avec la flèche pointant vers le raccord ouvert, le réservoir va maintenant se vider, permettant ainsi au réservoir d'être nettoyé ou en prévision d'un temps glacial.



CLOS



OUVERT,
LAVAGE
PRESSION



OUVERT,
VIDANGE DU
RÉSERVOIR

REEMPLIR LE RÉSERVOIR D'EAU

L'eau utilisée dans le réservoir doit être de l'eau propre et potable. N'utilisez pas d'eau recyclée, grise ou d'étang. Ces types d'eau obstruent rapidement le filtre à eau et pourraient endommager la pompe. N'utilisez jamais de nettoyants/conditionneurs d'eau dans le réservoir. Cela peut entraîner des réparations coûteuses de la pompe qui ne sont pas couvertes par la garantie. NE PAS utiliser d'eau chaude. Utiliser uniquement de l'eau froide.



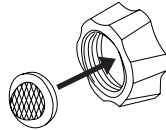
AVERTISSEMENT:

PRÉVENTION DU REFLUX

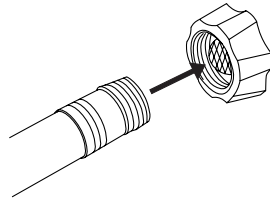
Pour réduire le risque de contamination, protégez-vous toujours contre le reflux lorsque vous êtes connecté au système d'eau potable. Un clapet anti-retour peut être requis dans certaines municipalités. Le clapet anti-retour doit être connecté entre le raccord du tuyau du système source et le tuyau d'alimentation en eau.

1. Tournez la vanne du réservoir en position FERMÉE.

2. Vérifiez que le tamis d'entrée est exempt de toute saleté ou débris et qu'il est en place avec le côté convexe tourné vers l'extérieur.



3. Ouvrez l'alimentation en eau et faites fonctionner pendant 30 secondes pour purger tous les débris du tuyau d'alimentation. Ensuite, coupez l'alimentation en eau et vissez le tuyau d'alimentation en eau dans le tuyau flexible de remplissage du réservoir.



4. Ouvrez l'alimentation en eau. Laissez le réservoir se remplir jusqu'au niveau PLEIN.

5. Une fois le réservoir rempli, couper l'alimentation en eau puis débranchez le tuyau d'alimentation en eau.

NE déplacez PAS la remorque à moins que le tuyau d'alimentation en eau ne soit débranché ! Des dommages au tuyau de remplissage du réservoir, au tuyau d'alimentation en eau et au raccord du tuyau du système d'eau se produiront.

RACCORDEMENT DU PISTOLET PULVÉRISATEUR



AVIS

PURGE DE LA POMPE

Faire fonctionner une pompe de nettoyeur haute pression sans eau endommagera gravement les joints de la pompe et d'autres composants internes. Pour éviter ce risque, assurez-vous que le réservoir d'eau est rempli de suffisamment d'eau pour l'application. Ne laissez jamais le réservoir être pompé à sec, car cela pourrait endommager gravement la pompe.



AVERTISSEMENT:

BLESSURE PAR INJECTION

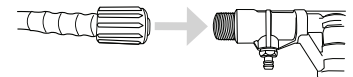
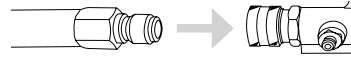
Les hautes pressions créées par un laveur sous pression peuvent provoquer des blessures par injection de liquide, des lacérations graves, des amputations et/ou la mort. Pour éviter ces dangers, orientez toujours le pistolet de pulvérisation et la lance dans une direction sécuritaire et ne tentez jamais de toucher une fuite dans un tuyau ou un raccord sous haute pression.

Une pompe de nettoyeur haute pression est conçue pour fonctionner avec de l'eau qui la traverse. L'eau lubrifie et refroidit les composants internes de la pompe. Faire fonctionner une pompe de nettoyeur haute pression sans eau endommagera gravement les joints de la pompe et d'autres composants internes. Les dommages causés par le fonctionnement d'une pompe de nettoyeur haute pression sans eau ne sont pas couverts par la garantie.

1. Tout en tirant vers l'arrière sur le collier de sortie de la pompe, insérez le raccord du tuyau et relâchez le collier. Tirez doucement sur le tuyau pour vous assurer qu'il est bien verrouillé.

1. Vissez le connecteur du tuyau haute pression dans la sortie haute pression de la pompe.

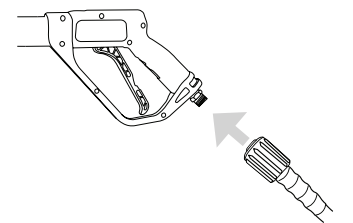
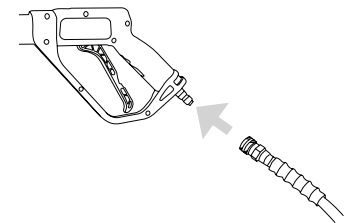
OU



2. Tout en tirant vers l'arrière sur le collier de sortie du tuyau, insérez le raccord du pistolet et relâchez le collier. Tirez doucement sur le tuyau pour vous assurer qu'il est bien verrouillé.

2. Vissez le connecteur du tuyau haute pression sur le pistolet pulvérisateur.

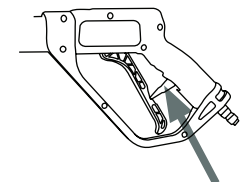
OU



3. Orientez le pistolet de pulvérisation dans une direction sécuritaire et maintenez la gâchette enfoncée pendant au moins 30 secondes ou jusqu'à ce que l'eau coule régulièrement et que tout l'air soit purgé de la pompe et des boyaux.

4. Vérifiez l'absence de fuites dans les tuyaux et les raccords. Si vous trouvez des fuites, arrêtez la machine, dirigez le pistolet de pulvérisation dans une direction sécuritaire et appuyez sur la gâchette pour relâcher toute pression accumulée dans le système. N'essayez jamais de toucher une fuite dans un tuyau ou un raccord haute pression. N'essayez jamais de réparer un tuyau haute pression.

5. Engagez le verrouillage de la gâchette.



BUSES

Sélection de la buse

Les buses fournies avec le laveur sous pression ont des jets spécifiques conçus pour nettoyer différentes surfaces. L'utilisation d'une buse incorrecte peut endommager les surfaces. Consultez le tableau ci-dessous pour sélectionner la buse correcte avant d'utiliser le laveur sous pression. **REMARQUE** : La sélection des buses incluses peut varier selon les modèles de laveurs sous pression.

Couleur	Utilisations	Surface
Rouge	Nettoyage ponctuel de surfaces dures, non peintes et des zones en hauteur	Métal et béton non peint NE PAS utiliser sur le bois.
Jaune	Nettoyage intense des surfaces non peintes	Grilles, allées, trottoirs en béton et en brique, brique et stuc non peints
Vert	Buse de nettoyage standard pour la plupart des applications	Outils de chantier, trottoirs, meubles de jardin, revêtement non peint, stuc, caniveaux, avant-toits, surfaces en béton et brique
Blanc	Nettoyage des surfaces peintes ou délicates	Revêtements pour automobiles, camions, véhicules récréatifs, bateaux, bois, briques peintes, stucs peints, vinyle et revêtements peints
Noir	Application de solutions de nettoyage	Sécuritaire sur toutes surfaces. Vérifiez toujours la compatibilité des solutions de nettoyage avant l'emploi.



AVIS

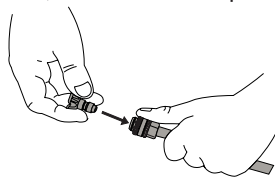
DOMMAGES DE PULVÉRISATION

Le jet sous haute pression de la laveuse haute pression est capable d'endommager des surfaces comme le bois, le verre, les peintures d'automobiles, les garnitures d'automobiles, et les objets délicats. Pour éviter de causer des dommages, couvrez les plantes avant de pulvériser à proximité, consultez le tableau Sélection de la buse dans ce guide pour connaître la sélection de la buse correcte et testez les surfaces avant de pulvériser pour vérifier si elles sont suffisamment robustes pour supporter une pulvérisation sous haute pression.

Installation de la buse

Si le moteur est en marche, assurez-vous que le verrou de la gâchette est en position verrouillée avant de retirer et d'installer les buses.

Pour placer une buse dans la lance d'arrosage, tirez le raccord rapide vers l'arrière, insérez la buse, puis relâchez le raccord pour qu'il se remette en place. Une fois installée, tirez sur la buse pour vous assurer qu'elle est bien fixée.



UTILISATION DE PRODUITS CHIMIQUES (si équipé)

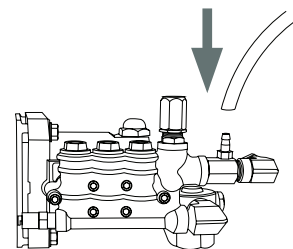


AVIS

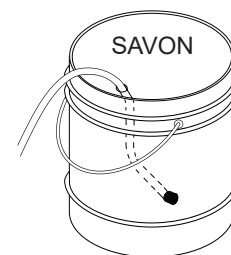
LIQUIDES VOLATILS

Le lavage sous pression avec des liquides volatils, inflammables ou corrosifs peut endommager le laveur sous pression et causer un incendie ou une explosion entraînant des blessures graves et/ou la mort. Pour éviter ces dangers, utilisez exclusivement des détergents et substances chimiques approuvés, ne tentez pas de laver sous pression avec des liquides volatils, inflammables ou corrosifs et n'utilisez JAMAIS de chlore.

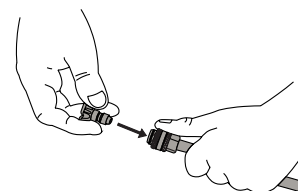
1. Fixez l'extrémité ouverte du boyau de détergent sur le raccord cannelé de la pompe.



2. Placez l'extrémité filtrée du tuyau de détergent dans un contenant de détergent.



3. Si le moteur est en marche, assurez-vous que le verrou de la gâchette est en position verrouillée avant de retirer et d'installer les buses.



4. Insérez la buse noire dans la lance d'arrosage conformément à la section Installation de la buse de ce guide. **REMARQUE** : Les détergents ne sont pas siphonnés si la buse noire n'est pas installée sur la lance de pulvérisation.

5. Après avoir utilisé du détergent, placez l'extrémité filtrée du boyau de détergent dans un contenant d'eau propre et actionnez le laveur sous pression pour tirer l'eau propre à travers le boyau et pompez jusqu'à ce que le système soit soigneusement rincé. La pompe peut être endommagée si du détergent ou d'autres substances chimiques demeurent dans la pompe. Les dommages de la pompe dus au détergent et au résidu chimique ne sont pas couverts par la garantie.

LISTE DE CONTRÔLE DE FONCTIONNEMENT



AVERTISSEMENT:

LISTE DE CONTRÔLE DE FONCTIONNEMENT

Tenter de démarrer le moteur ou d'utiliser le laveur sous pression incorrectement peut endommager le moteur et/ou le laveur sous pression et provoquer des blessures graves ou la mort. Pour éviter ces risques, ne manquez pas de lire, comprendre et respecter les étapes décrites dans la section LISTE DE CONTRÔLE DE FONCTIONNEMENT du manuel de l'utilisateur avant de démarrer le moteur et de suivre toutes les recommandations pour l'utilisation correcte du laveur sous pression.

Emplacement

Placez le laveur sous pression sur une surface plane à l'extérieur dans un endroit bien ventilé avant de l'utiliser. Gardez tous les matériaux inflammables à au moins cinq pieds (1,5 mètres) de tous les côtés du produit.

- N'utilisez jamais le laveur sous pression à l'intérieur d'une maison, d'un garage ou de tout autre type d'enceinte, même si les portes et les fenêtres sont ouvertes. Faites fonctionner le moteur à une distance d'au moins à 20 pieds (6 mètres) des fenêtres, portes et aérateurs. Tenez compte soigneusement du sens du vent et des courants d'air lorsque vous utilisez ce laveur à pression à l'extérieur, pour éviter d'inhaler les gaz d'échappement du moteur.

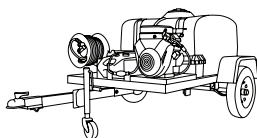
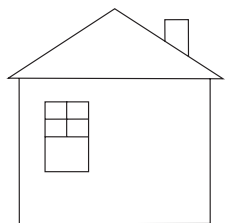
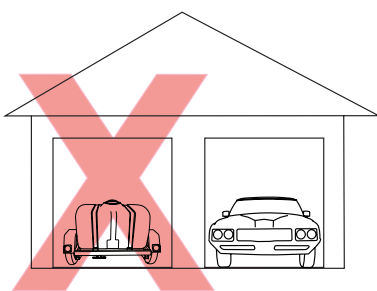
- En suivant les instructions et les recommandations du fabricant, installez des avertisseurs de monoxyde de carbone fonctionnant sur piles dans tout bâtiment occupé à proximité du moteur en marche.
- Si vous souffrez de maux de tête, de nausées, de vertiges, de somnolence ou de faiblesse pendant que le laveur sous pression est en marche, allez à l'air frais et consultez immédiatement un médecin.



AVERTISSEMENT:

VAPEURS TOXIQUES

Les gaz d'échappement du moteur contiennent du monoxyde de carbone, un gaz inodore, incolore et toxique. Faire fonctionner un moteur à l'intérieur tue en quelques minutes. N'utilisez jamais ce produit à l'intérieur d'une maison, d'un garage ou de tout autre type de bâtiment fermé, même avec les portes et fenêtres ouvertes. Faites fonctionner le moteur à une distance d'au moins à 20 pieds (6 mètres) des fenêtres, portes et aérateurs. Tenez compte soigneusement du sens du vent et des courants d'air lorsque vous utilisez ce produit à l'extérieur, pour éviter d'inhaler les gaz d'échappement du moteur. Utilisez toujours un détecteur de monoxyde de carbone dans des bâtiments occupés, à proximité du moteur.



Fonctionnement à haute altitude

Ce moteur aura une performance du moteur et un contrôle des émissions appropriés lorsqu'il est utilisé à ou sous une altitude de 1 524 mètres (5 000 pieds). Ce moteur requiert un ensemble haute altitude pour le carburateur afin d'assurer une performance du moteur et un contrôle des émissions appropriés lorsqu'il est utilisé au-dessus de 1 524 mètres (5 000 pieds). Utiliser l'outil ayant la mauvaise configuration de moteur au-dessus de 1 524 mètres (5 000 pieds) peut augmenter ses émissions et réduire l'efficacité du carburant et le rendement. Pour obtenir un ensemble de carburateur haute altitude, contactez le centre de service agréé le plus proche.



AVIS

ALTITUDE

L'utilisation du moteur avec un kit d'injection haute altitude pour le carburateur en-dessous de 1 524 mètres (5 000 pieds) peut causer la surchauffe du moteur. Surchauffer le moteur peut l'endommager sérieusement. Pour éviter ce risque, vérifiez que le kit de carburateur correct est installé et que le mélange air/carburant est réglé correctement pour votre altitude.

Conditions de fonctionnement

Avant chaque utilisation, vérifiez s'il y a des pièces desserrées ou endommagées et toute autre condition pouvant affecter l'utilisation appropriée. Réparez ou remplacez immédiatement toutes les pièces endommagées et/ou défectueuses par des pièces autorisées. N'utilisez pas la machine avec des pièces manquantes, cassées ou non autorisées. Gardez toujours tous les dispositifs de protection en place et en bon état de fonctionnement. Pour des raisons de sécurité, le fabricant recommande que tous les entretiens et réparations soient effectués par un centre de service agréé. Ne jamais rendre inopérant les caractéristiques de sécurité du produit.

Avant de démarrer le moteur, enlevez toute saleté et tout débris excessifs des événements de refroidissement, de l'échappement et des zones du démarreur manuel.

Utilisez toujours le laveur sous pression sur une surface plane et ne déplacez ou ne basculez jamais le laveur sous pression en cours d'utilisation. N'utilisez le laveur sous pression que pour l'usage auquel il est destiné. Ne tirez jamais sur le tuyau d'alimentation en eau ou sur le tuyau à haute pression pour déplacer le nettoyeur sous pression. Cela pourrait endommager le tuyau, l'entrée de la pompe et/ou la sortie de la pompe. Si vous avez des questions sur l'utilisation appropriée de votre laveur sous pression, veuillez communiquer avec le service à la clientèle au 1-833-362-7368 ou à cservice@fna-group.com.



AVERTISSEMENT:

ENFANTS ET ADULTES NON FORMÉS

Ne laissez pas les enfants ou les adultes non formés utiliser ou jouer avec le nettoyeur haute pression, car ils peuvent subir des blessures graves ou mortelles. Toute personne utilisant le nettoyeur haute pression doit recevoir des instructions appropriées, comprendre le fonctionnement en toute sécurité et lire attentivement le guide d'utilisation avant d'utiliser ce produit. Gardez les enfants et les animaux domestiques à l'écart du nettoyeur haute pression lorsqu'il est en marche. Arrêtez toujours le nettoyeur haute pression avant de quitter les lieux.



AVERTISSEMENT:

INSPECTER AVANT D'UTILISER

Le fait de ne pas inspecter ce produit avant de l'utiliser peut créer une situation dangereuse entraînant des dommages au produit, des blessures graves et/ou la mort. Pour éviter ces dangers, inspectez le laveur sous pression avant chaque utilisation. Vérifiez si des pièces sont desserrées ou endommagées, les signes de fuites d'huile ou de carburant, si des protections sont manquantes et toute autre condition susceptible d'affecter l'utilisation appropriée. Réparez ou remplacez toutes les pièces endommagées ou défectueuses par des pièces autorisées et maintenez les protections de sécurité en place et en bon état de fonctionnement avant d'utiliser le laveur sous pression.



AVERTISSEMENT:

RISQUE D'ÉCLATEMENT

Le surgonflage des pneus peut entraîner des blessures graves et des dommages matériels. Utilisez un manomètre pour vérifier la pression des pneus avant chaque utilisation et lors du gonflage des pneus (le cas échéant); consultez le flanc du pneu pour déterminer la pression correcte. Un jet à grande vitesse dirigé vers les flancs des pneus (comme ceux que l'on trouve sur les automobiles, les remorques et autres) pourrait endommager les flancs et provoquer des blessures graves. Sur les laveurs sous pression d'une puissance supérieure à 1600 psi (11032 kPa), utilisez le jet le plus large (buse de 40°) et maintenez le jet à une distance minimale de 8" (20 cm) du flanc du pneu. Ne dirigez pas le pulvérisateur directement sur le talon entre le pneu et la jante.



! DANGER: CHOC ÉLECTRIQUE

La pulvérisation dirigée vers des prises ou des interrupteurs électriques, ou des objets connectés à un circuit électrique, peut entraîner un choc électrique mortel. Dirigez le jet à l'écart des prises, interrupteurs et équipements électriques. Ne nettoyez jamais un appareil fonctionnant à l'électricité, même s'il est débranché, à moins qu'il ne soit clairement indiqué dans son manuel que ce type de nettoyage est autorisé.



! DANGER: RISQUE D'EXPLOSION OU D'INCENDIE

L'utilisation du nettoyeur haute pression dans un environnement explosif peut provoquer un incendie. Utilisez l'équipement et faites le plein dans des zones bien ventilées et exemptes d'obstructions. Installez des extincteurs adaptés aux incendies d'essence dans les zones concernées.



! AVERTISSEMENT: BLESSURE PAR INJECTION

Les hautes pressions créées par un laveur sous pression peuvent provoquer des blessures par injection de liquide à la chair humaine et animale, des lacérations graves, des amputations et/ou la mort. Pour éviter ces dangers, orientez toujours le pistolet de pulvérisation et la lance dans une direction sécuritaire et ne tentez jamais de toucher une fuite dans un tuyau ou un raccord sous haute pression. Ne placez jamais vos mains devant la sortie du pistolet de pulvérisation. Ne tenez jamais le tuyau ou les raccords pendant le fonctionnement. Ne fixez ou ne retirez jamais le pistolet de pulvérisation ou les raccords du tuyau lorsque le système est sous pression. Ne pointez jamais le pistolet de pulvérisation vers des personnes et/ou des animaux et ne les aspergez pas. **NE TRAITEZ PAS L'INJECTION DE FLUIDE COMME UNE SIMPLE COUPURE!** Consultez immédiatement un médecin!



! ATTENTION: SURFACES CHAUDES

Un moteur en fonctionnement produit de la chaleur. Les surfaces du moteur, les autres composants connexes et les gaz d'échappement du moteur deviennent suffisamment chauds pour provoquer des brûlures légères et modérées ou enflammer les matériaux au contact (tels que le revêtement, le plastique, le caoutchouc, le vinyle ou le tuyau à haute pression lui-même), et endommager les plantes vivantes. Pour éviter les brûlures, ne touchez pas les surfaces du moteur, le silencieux ou les gaz d'échappement pendant le fonctionnement, et laissez le moteur refroidir complètement avant de le déplacer, de le toucher ou d'effectuer un quelconque entretien. Pour éviter un incendie, tenez toutes les matières inflammables à distance d'au moins cinq pieds de tous les côtés du produit. Ne couvrez jamais le nettoyeur haute pression pendant son fonctionnement ou immédiatement après son utilisation.



! AVERTISSEMENT: PIÈCES MOBILES

Ce produit contient de nombreuses pièces mobiles à haute vitesse. Les pièces mobiles peuvent causer des écrasements, des fractures, des lacérations graves et/ou des amputations traumatiques. Pour éviter les blessures, ne placez jamais vos doigts, mains, pieds ou autre partie du corps à proximité du moteur en marche. N'utilisez jamais le produit avec les capots, les coiffes ou autres protections retirés. Ne portez pas de vêtements amples, de cordon pendant ou autres objets pendants susceptibles de s'accrocher dans les pièces mobiles en fonctionnement. Attachez vos cheveux longs et retirez vos bijoux avant l'utilisation.

Vérification de l'huile moteur



AVIS REMPLIR D'HUILE AVANT UTILISATION

Le moteur est expédié de l'usine sans huile. Utiliser le moteur sans huile peut provoquer de graves dommages au moteur et annuler la garantie. Pour éviter d'endommager le moteur et d'annuler la garantie, remplissez le moteur avec de l'huile du type recommandé avant de le démarrer.



AVIS UTILISEZ L'HUILE MOTEUR CORRECTE

L'huile est un facteur majeur qui affecte la performance et la durée de service d'un moteur. Utiliser une huile incorrecte peut endommager le moteur et annuler la garantie. Pour éviter d'endommager le moteur et d'annuler la garantie, vérifiez et changez l'huile selon les besoins en utilisant l'huile moteur correcte.



AVIS CAPTEUR DE NIVEAU D'HUILE BAS

Le détecteur de niveau d'huile bas (s'il est présent) arrête automatiquement le moteur si le niveau d'huile est inférieur à la limite sécuritaire. Pour éviter un arrêt inattendu, vérifiez le niveau d'huile avant chaque utilisation, remplissez jusqu'à la limite supérieure et utilisez toujours le moteur sur une surface plane.

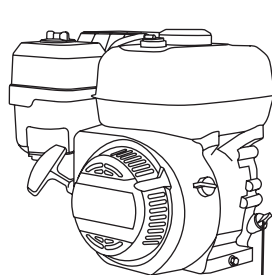


! ATTENTION: HUILE CHAUDE

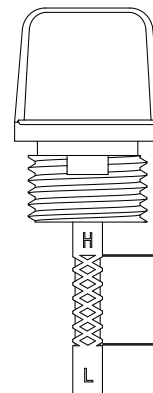
L'huile chaude peut provoquer des brûlures graves. Pour éviter de vous brûler lors de la vidange ou du contrôle de l'huile moteur, portez des gants appropriés et procédez à la vidange lorsque le moteur est chaud mais pas brûlant.

Moteur monocylindre

1. Vérifiez l'huile avec le niveau de la remorque et le moteur arrêté.
2. Dévissez la jauge d'huile moteur et retirez-la, puis essuyez-la pour la nettoyer.
3. Placez la jauge propre dans le goulot de remplissage mais ne l'enfonchez pas, laissez-la reposer sur le goulot de remplissage.
4. Retirez la jauge du goulot de remplissage et vérifiez le niveau d'huile. Le niveau d'huile doit correspondre à la limite supérieure de la jauge.
5. Si le niveau est bas, ajoutez l'huile recommandée dans le carter jusqu'à ce que le niveau atteigne la limite supérieure de la jauge. Consultez le guide du moteur pour connaître l'huile recommandée.
6. Installez la jauge et serrez le bouchon en le vissant dans le goulot de remplissage.



Jauge d'huile moteur

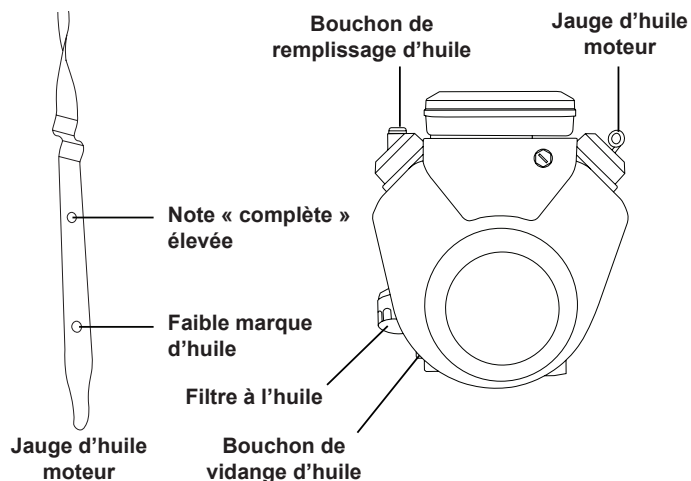


Limite supérieure de l'huile

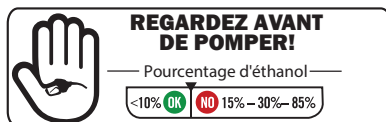
Limite inférieure de l'huile

Moteur bicylindre

1. Vérifiez l'huile avec le niveau de la remorque et le moteur arrêté.
2. Retirez la jauge d'huile ; essuyez-le avec une serviette en papier.
3. Insérez complètement la jauge propre dans le bec.
4. Retirez la jauge. Le niveau d'huile doit être égal, mais pas supérieur, au repère maximum ou haut.
5. Si le niveau d'huile est bas, ajoutez l'huile recommandée dans le carter jusqu'à ce que le niveau atteigne le repère plein ou haut sur la jauge. Consultez le manuel du moteur pour connaître l'huile recommandée.
6. Remettez complètement la jauge dans le bec.



Vérification du carburant



AVIS

ESSENCE ANCIENNE

L'essence ancienne peut créer des dépôts qui bouchent le circuit de carburant, provoquant un démarrage difficile et une performance médiocre. Les dommages causés par l'essence ancienne ne sont pas couverts par la garantie. Pour réduire les dépôts, éviter les problèmes de performance associés et éviter des réparations dispendieuses, n'utilisez pas d'essence plus ancienne que 30 jours.



AVERTISSEMENT:

REPLISSAGE DE CARBURANT

L'essence est hautement inflammable et ses vapeurs sont extrêmement explosives. Un incendie et des explosions peuvent causer des brûlures graves et/ou la mort. Tenez l'essence à l'écart des flammes, des étincelles et de toute autre source d'allumage. Remplissez le réservoir de carburant à l'extérieur dans un endroit bien aéré avec le moteur arrêté et froid. Essuyez l'essence renversée et laissez le moteur sécher avant de le démarrer. Gardez un extincteur à portée de la main pendant le remplissage de carburant. N'utilisez pas le moteur avec des fuites dans le circuit d'alimentation. N'entreposez pas l'essence à proximité de matières inflammables. Entreposez le carburant dans un conteneur propre approuvé par l'OSHA, dans un endroit sécurisé éloigné de la zone de travail.



AVIS

MÉLANGES À BASE D'ALCOOL

L'utilisation d'essence contenant un mélange à base d'alcool supérieur à 10 % (E10) endommage le moteur. Les dommages causés par l'utilisation d'un mélange à base d'alcool à 15 % (E15), 85 % (E85) ou tout autre mélange d'alcool supérieur à 10 % (E10) ne sont pas couverts par la garantie. Pour éviter les dommages au moteur causés par un mélange d'alcool trop élevé, utilisez de l'essence à 10 % (E10) d'alcool au maximum.



AVIS

ADDITIFS D'ESSENCE

L'utilisation d'additifs de nettoyage du circuit de carburant peut endommager le moteur et les circuits de carburant. Les dommages causés par l'utilisation d'additifs de nettoyage du circuit de carburant ne sont pas couverts par la garantie. Pour éviter d'endommager le moteur et le circuit de carburant, n'utilisez pas d'additifs de nettoyage du circuit de carburant.



AVIS

ENTREPOSAGE DE L'ESSENCE

Il est important afin d'empêcher les dépôts de gomme de se former dans les pièces essentielles du circuit d'alimentation, comme le carburateur, le filtre du carburant, le tuyau du carburant ou le réservoir durant l'entreposage. Les carburants mélangés à l'alcool (appelés gasohol, éthanol ou méthanol) attirent l'humidité ce qui entraîne la séparation et la formation d'acides durant l'entreposage. Le carburant acide et les dépôts de gomme peuvent endommager le circuit de carburant du moteur lorsqu'il est entreposé. Les dommages causés par l'utilisation de carburant ancien, éventé ou contaminé ne sont pas couverts par la garantie.



AVIS

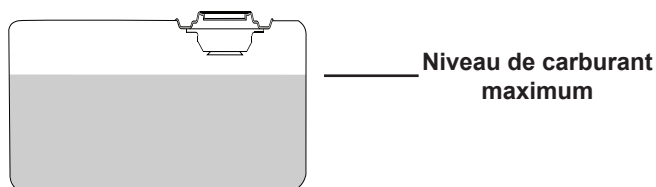
NE PAS REMPLIR EXCESSIVEMENT LE RÉSERVOIR DE CARBURANT

Le remplissage excessif du réservoir de carburant peut endommager le réservoir à charbon actif (s'il est présent), produire une performance médiocre du moteur et annuler la garantie. Pour éviter ces dangers, ne pas remplir le réservoir de carburant au-dessus du niveau maximum.

Moteur monocylindre

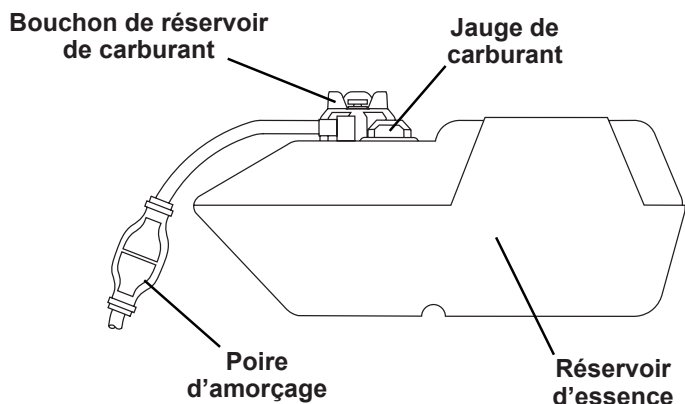
1. Vérifiez le carburant avec le moteur arrêté et la remorque à niveau.
2. Retirez le bouchon du réservoir de carburant, vérifiez le niveau de carburant, puis remplissez le réservoir de carburant si nécessaire. Pour l'emplacement du bouchon de réservoir, consultez la section **EMPLACEMENT DES COMPOSANTS** de ce manuel.
3. Ne remplissez pas le réservoir de carburant au-dessus du niveau de carburant maximum pour laisser de la place à l'expansion du carburant. Pour connaître la capacité de carburant, consultez la section spécifications du manuel du moteur.
4. N'utilisez pas d'essence datant de plus de 30 jours. Utilisez uniquement de l'essence ordinaire sans plomb, propre et fraîche, avec un indice d'octane minimum de 87. Ne mélangez pas d'huile avec de l'essence. N'utilisez pas d'essence contenant plus de 10 % d'alcool éthylique. Les E15, E20 et E85 ne sont pas des carburants approuvés et ne doivent pas être utilisés.

- Remplacer le bouchon du réservoir de carburant. Ne faites jamais tourner le moteur sans que le bouchon de carburant soit installé.



Moteur bicylindre

- Retirez le bouchon du réservoir de carburant puis procédez au remplissage du réservoir jusqu'à ce que la jauge atteigne le repère FULL. N'utilisez pas d'essence datant de plus de 30 jours. Utilisez uniquement de l'essence ordinaire sans plomb, propre et fraîche, avec un indice d'octane minimum de 87. Ne mélangez pas d'huile avec de l'essence. N'utilisez pas d'essence contenant plus de 10 % d'alcool éthylique. Les E15, E20 et E85 ne sont pas des carburants approuvés et ne doivent pas être utilisés.
- Remettez le bouchon de remplissage sur le bec, enflez le bouchon à la main jusqu'à ce qu'il soit bien ajusté.
- Utilisez la poire d'amorçage pour pomper de l'essence dans le moteur. Démarrer le moteur sans amorcer la conduite de carburant empêchera le moteur de démarrer rapidement, ce qui pourrait endommager le démarreur en raison d'un démarrage excessif.



REMARQUE : L'utilisation d'un stabilisateur de carburant (vendu séparément) lors du stockage de l'essence peut aider à prévenir les problèmes liés au stockage de l'essence mélangée à l'éthanol et à l'alcool. Suivez toujours les instructions fournies par le fabricant du stabilisateur de carburant pour mélanger et utiliser correctement.

DÉMARRAGE DU MOTEUR



AVERTISSEMENT:

LISTE DE CONTRÔLE DE FONCTIONNEMENT

Tenter de démarrer le moteur ou d'utiliser le laveur sous pression incorrectement peut endommager le moteur et/ou le laveur sous pression et provoquer des blessures graves ou la mort. Pour éviter ces risques, ne manquez pas de lire, comprendre et respecter les étapes décrites dans la section LISTE DE CONTRÔLE DE FONCTIONNEMENT du manuel de l'utilisateur avant de démarrer le moteur et de suivre toutes les recommandations pour l'utilisation correcte du laveur sous pression.



AVIS

DOMMAGES DE LA POMPE

Utiliser le laveur sous pression pendant plus de deux minutes sans tirer sur la gâchette du pistolet de pulvérisation surchauffe la pompe et peut éventuellement provoquer des dommages. La soupape de sûreté thermique s'ouvre et pulvérise l'eau pour contribuer à refroidir la pompe quand elle surchauffe. Ne modifiez jamais la soupape de décharge thermique. Pour éviter de surchauffer la pompe, arrêtez le moteur si elle reste inutilisée pendant plus de deux minutes.

Démarrage du moteur (Moteur monocylindre)

- Effectuez les étapes des sections LISTE DE CONTRÔLE DE FONCTIONNEMENT et PRÉPARATION DU MOTEUR de ce manuel avant de démarrer le moteur. Ne pas le faire pourrait endommager la pompe ou le moteur. Si nécessaire, reportez-vous au manuel du propriétaire du moteur pour obtenir des instructions de démarrage spécifiques.

Le réservoir d'eau doit être rempli d'eau et l'ensemble pistolet/lance fixé au tuyau haute pression. Si équipé, placez la vanne du réservoir en position **OUVERTE**.

- Mettez l'interrupteur du moteur sur la position ON (si l'appareil en est équipé).



- Faites glisser la vanne de carburant sur la position ON (si l'appareil en est équipé).



- Faites glisser le régulateur en position COURIR (si l'appareil en est équipé).

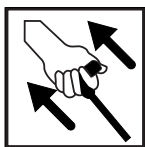


- Selon l'équipement, faites glisser le volet de départ sur CHOKE pour démarrer un moteur FROID. Faites-le glisser sur RUN pour un moteur CHAUD.



REMARQUE : La position de démarrage du volet de départ varie en fonction de la température du moteur. Pour démarrer un moteur froid, placez le levier du volet de départ proche de la position CHOKE. Pour démarrer un moteur chaud, placez le levier du volet de départ proche de la position RUN.

6A. (**Démarrage manuel**) Tirez lentement sur le cordon à enrouleur jusqu'à sentir une résistance puis tirez dessus rapidement pour démarrer le moteur. Ne pas laisser la poignée du démarreur revenir d'un coup sec. Contrôler le rembobinage à la main.



REMARQUE : Si le moteur ne démarre pas après deux tractions, appuyez sur la gâchette du pistolet pour relâcher la pression stockée. Ensuite, essayez à nouveau de démarrer le moteur.

Démarrage du moteur (moteur bicylindre)

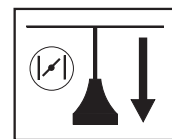
1. Effectuez les étapes des sections LISTE DE CONTRÔLE DE FONCTIONNEMENT et PRÉPARATION DU MOTEUR de ce manuel avant de démarrer le moteur. Ne pas le faire pourrait endommager la pompe ou le moteur. Si nécessaire, reportez-vous au manuel du propriétaire du moteur pour obtenir des instructions de démarrage spécifiques.

Le réservoir d'eau doit être rempli d'eau et l'ensemble pistolet/lance fixé au tuyau haute pression. Si équipé, placez la vanne du réservoir en position **OUVERTE**.

2. Amorcez la conduite de carburant comme décrit dans la section VÉRIFICATION DU CARBURANT de ce manuel.



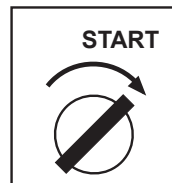
3. Faites glisser l'accélérateur en position COURIR (le cas échéant).



4. Rallongez le starter pour démarrer un moteur FROID. Insérer pour un moteur chaud (le cas échéant).

REMARQUE : La position de démarrage du volet de départ varie en fonction de la température du moteur. Pour démarrer un moteur froid, placez le levier du volet de départ proche de la position CHOKE. Pour démarrer un moteur chaud, placez le levier du volet de départ proche de la position RUN.

5. Tournez la clé au-delà de la position ON jusqu'à la position START. Laissez le moteur démarrer. Si le moteur ne démarre pas après 5 secondes. Relâchez la clé et laissez refroidir le démarreur pendant une minute.



6B. (**Démarrage électrique**) Tournez la clé au-delà de la position ON jusqu'à la position START. Laissez le moteur démarrer. Si le moteur ne démarre pas après 5 secondes. Relâchez la clé et laissez refroidir le démarreur pendant une minute.



Une fois le moteur démarré, laissez la clé revenir en position ON.

AVERTISSEMENT: DÉGÂTS DE DÉMARREUR
N'essayez pas de lancer le moteur en continu pendant plus de cinq secondes à la fois. Si le moteur ne démarre pas, laissez le démarreur refroidir pendant une minute avant d'essayer de redémarrer le moteur. Essayer continuellement de démarrer le moteur endommagera le démarreur.

7. Une fois que le moteur a démarré, déplacez lentement le levier du volet de départ vers RUN pendant que le moteur tourne. Si le moteur faiblit, déplacez le volet de départ vers CHOKE jusqu'à ce que le moteur soit chaud.

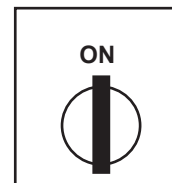


8. Laissez le moteur chauffer pendant 1 à 2 minutes avant d'utiliser le produit, en appuyant de temps en temps sur la gâchette du pistolet pulvérisateur pour permettre à l'eau de s'écouler à travers la pompe et éviter une surchauffe et un endommagement de la pompe.

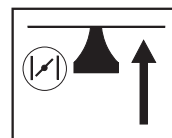
REMARQUE : Verrouillez toujours la gâchette lorsque le pistolet pulvérisateur n'est pas utilisé pour éviter tout fonctionnement accidentel. Ne fixez jamais la gâchette de manière permanente en position de retrait (ouverte).

AVERTISSEMENT: DÉGÂTS DE DÉMARREUR
N'essayez pas de lancer le moteur en continu pendant plus de cinq secondes à la fois. Si le moteur ne démarre pas, laissez le démarreur refroidir pendant une minute avant d'essayer de redémarrer le moteur. Essayer continuellement de démarrer le moteur endommagera le démarreur.

6. Une fois le moteur démarré, laissez la clé revenir en position ON.



7. Poussez lentement le levier de starter pendant que le moteur chauffe. Si le moteur vacille, tirez sur le starter jusqu'à ce que le moteur soit réchauffé.



8. Laissez le moteur chauffer pendant 1 à 2 minutes avant d'utiliser le produit, en appuyant de temps en temps sur la gâchette du pistolet pulvérisateur pour permettre à l'eau de s'écouler à travers la pompe et éviter une surchauffe et un endommagement de la pompe.

REMARQUE : Verrouillez toujours la gâchette lorsque le pistolet pulvérisateur n'est pas utilisé pour éviter tout fonctionnement accidentel. Ne fixez jamais la gâchette de manière permanente en position de retrait (ouverte).

ARRÊT DU SYSTÈME



AVIS

DOMMAGES DE LA POMPE

Couper l'arrivée d'eau à votre pompe alors que le moteur fonctionne endommage la pompe. Les dommages causés par le fonctionnement de la pompe sans eau ne sont pas couverts par la garantie. Pour éviter ce risque, arrêtez toujours le moteur avant de couper l'arrivée d'eau.



AVIS

PRODUITS DE NETTOYAGE CHIMIQUES

L'utilisation de produits de nettoyage chimique et/ou de liquides corrosifs peut endommager les joints du laveur sous pression et ses composants internes. Les dommages causés par les nettoyants chimiques et les liquides corrosifs ne sont pas couverts par la garantie. Pour éviter ces risques, n'utilisez que des produits de nettoyage, jamais d'eau de Javel et faites toujours passer de l'eau propre dans le laveur sous pression après avoir utilisé des produits chimiques de nettoyage.

1. Régler le verrouillage de la gâchette sur le pistolet pulvérisateur.
2. Faites glisser l'accélérateur en position LENT (le cas échéant).
3. Tourner le commutateur du moteur en position OFF.
4. Faites glisser le robinet de carburant en position OFF (le cas échéant).
5. Relâchez le verrou de la gâchette, puis appuyez sur la gâchette du pistolet pulvérisateur pour relâcher la pression dans le tuyau et la pompe. Débranchez le pistolet du tuyau haute pression ; rangez-le correctement avant de déplacer la remorque.
6. Tournez la vanne du réservoir sur FERMÉ (le cas échéant).
7. Enroulez le tuyau haute pression sur l'enrouleur de tuyau.
8. Laissez le moteur refroidir complètement avant l'entretien ou le ravitaillement.

CONSEILS D'UTILISATION

Termes

- PSI : Les livres par pouce carré (PSI) sont l'unité de mesure de la pression de l'eau. Dans le cas d'un laveur sous pression, plus le nombre de PSI est élevé, plus la pression et la puissance de décapage produites sont importantes.
- GPM : Les gallons par minute (GPM) représentent le débit d'eau. Dans le cas d'un laveur sous pression, plus le nombre de gallons par minute est élevé, plus le débit ou la puissance de rinçage est important.
- CU : Les unités de nettoyage expriment l'efficacité du nettoyeur haute pression. Les unités de nettoyage sont calculées en multipliant le PSI par le GPM. Plus l'unité de nettoyage est élevée, plus le laveur sous pression est efficace.

Préparation

- Lisez tous les avertissements et toutes les instructions de ce guide et de tous les autres guides fournis avec le laveur sous pression.
- Retirez tous les jouets, vélos, meubles de jardin, etc. de la zone de travail s'ils ne doivent pas être nettoyés.
- Retirez tous les jouets, vélos, meubles de jardin, etc. de la zone de travail s'ils ne doivent pas être nettoyés.
- Balayez la saleté et les débris de la surface que vous allez laver sous pression.
- Couvrez les plantes à proximité pour éviter de les endommager avec le jet de laveur sous pression.
- Prenez des précautions lorsque vous pulvérisez les fenêtres. Utilisez toujours la buse blanche de 40° et restez à une distance d'au moins 4 pieds (1,2 mètres).
- Posez des bâches pour récupérer les éclats de peinture et autres débris qui sont emportés par le jet. Les peintures extérieures utilisées avant 1977 peuvent contenir du plomb et produire des copeaux qui devront être collectés et éliminés dans une installation de traitement des déchets dangereux.
- Pour minimiser l'infiltration d'eau dans le moteur du nettoyeur haute pression, placez le nettoyeur haute pression aussi loin que possible du site de nettoyage pendant le fonctionnement.

Lavage sous pression

- Une pulvérisation plus large permet de nettoyer plus rapidement, alors qu'une pulvérisation plus étroite permet un nettoyage plus en profondeur.
- Tenez la buse à environ 4 pieds (1,2 mètres) du revêtement pour éviter les dommages.
- Commencez à laver les revêtements du bas vers le haut, puis rincez du haut vers le bas.
- Évitez d'envoyer de l'eau derrière le revêtement.
- Utilisez des touches qui se chevauchent pour un nettoyage uniforme.
- Travaillez par petites surfaces pour éviter que le savon ne sèche.
- Ne dirigez pas la buse directement vers une surface. Tenez la lance selon un angle de 45° degrés par rapport à la surface à une distance qui permet de bien nettoyer sans endommager.

Réglage de la pression de surface

- Éloignez-vous de la surface à nettoyer. Plus vous positionnez la buse loin de la surface à nettoyer, plus la pression pour atteindre la surface est faible.
- Passez à la buse blanche de 40°. Cette buse produit une pression plus faible et un jet plus large.

Réglage du bouton de commande manuelle du déchargeur pour ajuster la pression

(le cas échéant)

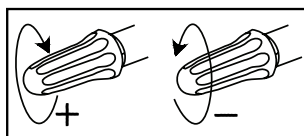


AVERTISSEMENT: HAUTE PRESSION

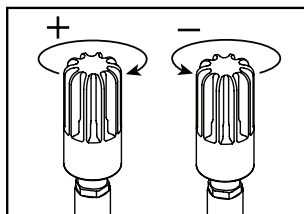
Ne retirez pas le bouton de commande manuelle du déchargeur. Ne serrez pas excessivement le bouton de commande manuelle du déchargeur. Un serrage excessif de la molette au-delà de la butée intégrée peut entraîner des blessures graves, la rupture de la molette et/ou des réparations coûteuses. N'essayez pas d'augmenter la pression au-delà de la pression pré réglée en usine.

La pression la plus élevée est pré réglée en usine afin d'obtenir une pression optimale pour le nettoyage. Si vous avez besoin de réduire la pression, votre appareil peut être équipé d'un bouton de commande manuelle de déchargement qui vous permet de régler la pression. Le style du bouton de commande manuelle du déchargeur peut différer de l'image ci-dessous.

- Si l'appareil est équipé d'une manette de déchargement, abaissez la pression en tournant la manette de déchargement dans le sens inverse des aiguilles d'une montre jusqu'à la pression souhaitée.



- Tournez la manette de déchargement dans le sens des aiguilles d'une montre jusqu'à ce qu'elle s'arrête pour revenir au réglage de pression le plus élevé pré réglé en usine.



DÉPANNAGE

PROBLÈME	CAUSE POSSIBLE	SOLUTION
Le nettoyeur haute pression crée une pression d'eau faible ou nulle.	De l'air est emprisonné dans la pompe et/ou les tuyaux.	Reportez-vous à la section PURGER LA POMPE de ce manuel pour éliminer l'air de la pompe et des tuyaux.
Le nettoyeur haute pression crée une pression d'eau faible ou nulle, <i>suite</i> .	La source d'eau est insuffisante.	Assurez-vous que la source d'eau peut fournir au moins 5 GPM à 20 PSI.
	La buse est bouchée.	Nettoyer la buse conformément à la section ENTRETIEN de ce manuel.
	Le filtre d'entrée d'eau est bouché.	Nettoyez le filtre d'entrée d'eau conformément à la section ENTRETIEN de ce manuel.
	Le flexible haute pression est trop long.	Le tuyau haute pression doit mesurer moins de 100 pieds de longueur.
	Le starter du moteur est en position CHOKE.	Mettre le starter du moteur en position RUN.

PROBLÈME	CAUSE POSSIBLE	SOLUTION
Le moteur ne démarre pas. Reportez-vous au manuel du propriétaire du moteur pour plus d'informations sur le dépannage du moteur.	Le réservoir de carburant est vide.	Ajouter du carburant frais.
	La pression de l'eau dans la pompe empêche le moteur de tourner.	Dirigez le pistolet pulvérisateur dans une direction sûre, puis appuyez sur la gâchette pour relâcher la pression de l'eau dans la pompe.
	Le starter du moteur est dans la mauvaise position.	Reportez-vous à la section DÉMARRAGE DU MOTEUR de ce manuel pour connaître la position correcte du starter.
	Le fil de la bougie d'allumage n'est pas attaché à la bougie.	Connecter le fil de bougie.
	L'interrupteur du moteur est en position OFF.	Tourner le commutateur du moteur en position ON.
	Le robinet de carburant du moteur est fermé.	Ouvrez le robinet de carburant.
	Le niveau d'huile moteur est bas. Si le moteur est équipé d'un capteur de niveau d'huile bas, le moteur ne démarrera pas.	Vérifiez le niveau d'huile moteur. Remplissez selon le manuel du moteur.
Fuite d'huile de la pompe.	Bouchon de vidange desserré.	Serrer le bouchon de vidange.
	Joint torique du bouchon de vidange usé.	Vérifiez et remplacez.
	Joint torique du bouchon de remplissage usé.	Vérifiez et remplacez.
	L'huile de la pompe est trop remplie.	Vérifiez le montant correct.
	Mauvaise huile utilisée.	Égoutter et remplir avec le type et la quantité d'huile appropriés.
	Le bouchon de ventilation est bouché.	Nettoyer le bouchon de ventilation ; soufflez de l'air à travers l'évent pour éliminer le blocage. Si le problème persiste, remplacez la fiche.
	Joints d'huile usés.	Contactez le service client au 1-833-362-7368 ou au cservice@fna-group.com

ENTRETIEN

PROBLÈME	CAUSE POSSIBLE	SOLUTION
N'aspire pas de détergent.	Accumulation de produits chimiques dans l'injecteur de produits chimiques.	Contactez le service client au 1-833-362-7368 ou au cservice@fna-group.com
	La lance de pulvérisation n'est pas à basse pression.	Insérer la buse « savon » noire.
	Filtre à détergent obstrué.	Nettoyer le filtre.
	Le filtre à détergent n'est pas immergé dans le détergent.	Assurez-vous que l'extrémité du filtre du tuyau de siphon de détergent est entièrement immergée dans le détergent.
	Le détergent est trop épais.	Diluer le détergent. Le détergent doit avoir la même consistance que l'eau.
	Le flexible haute pression est trop long.	Rallonger le tuyau d'alimentation en eau et raccourcissez le tuyau haute pression.
	Le détergent est séché à l'intérieur de l'injecteur de détergent.	Contactez le service client au 1-833-362-7368 ou au cservice@fna-group.com
Fuite d'eau au niveau du raccord pistolet/lance de pulvérisation.	Joint torique usé ou cassé.	Vérifiez et remplacez.
	Raccordement du tuyau desserré.	Resserrez la connexion.
Fuite d'eau à la pompe.	Connexions lâches.	Resserrez les connexions.
	Joint torique usé ou déchiré	Vérifiez et remplacez.
	Garniture de piston usée.	Contactez le service client au 1-833-362-7368 ou au cservice@fna-group.com
	Tête de pompe ou tubes endommagés par le gel.	Contactez le service client au 1-833-362-7368 ou au cservice@fna-group.com
La pompe ou la buse vibre.	Buse obstruée.	Nettoyer la buse conformément à la section ENTRETIEN de ce manuel.
La fonction de démarrage électrique ne fonctionne pas (si équipée).	La batterie n'est pas chargée.	Charger la batterie.
	Fils positifs et négatifs de la batterie débranchés.	Connectez les fils positifs et négatifs de la batterie.

Pour obtenir une aide supplémentaire ou pour trouver votre centre de service agréé local, appelez le **1-833-362-7368** ou envoyez un e-mail à cservice@fna-group.com.



AVERTISSEMENT: CHOC ÉLECTRIQUE

Retirez toujours le câble noir négatif (-) de la batterie en premier et connectez toujours le câble noir négatif (-) de la batterie en dernier (si équipé).

Pour des raisons de sécurité, le fabricant recommande que tous les entretiens et réparations du laveur sous pression soient effectués par un centre de service agréé. Tous les remplacements ou réparations sous garantie doivent être effectués par un centre de distribution ou de service agréé. Pour trouver un centre de service autorisé près de chez vous, faire une demande de garantie ou obtenir une réparation sous garantie autorisée, appelez le 1-833-362-7368 ou envoyez un courriel à cservice@fna-group.com.

Il est de la responsabilité du propriétaire et/ou de l'utilisateur de faire effectuer tous les entretiens prévus avant d'utiliser le laveur sous pression. Veillez à suivre les recommandations d'inspection et d'entretien figurant dans tous les guides fournis avec cet appareil.

Entretien

Avant chaque utilisation, vérifiez que le laveur sous pression ne présente pas de fuites, de pièces lâches ou endommagées, et toute autre anomalie qui pourrait nuire à son bon fonctionnement. Assurez-vous que toutes les protections de sécurité sont en place et en bon état de fonctionnement.

Inspectez tous les événements d'air et les fentes de refroidissement pour vous assurer qu'ils sont propres et non obstrués. Réparez ou remplacez immédiatement toutes les pièces endommagées ou défectueuses par des pièces autorisées. Pour des raisons de sécurité, le fabricant recommande que tous les entretiens et réparations du laveur sous pression soient effectués par un centre de service agréé. N'essayez jamais de réparer un tuyau haute pression.



AVERTISSEMENT: RISQUE DE BRÛLURES

Lors de l'entretien, vous pouvez être exposé à des surfaces chaudes, à la pression de l'eau ou à des pièces mobiles susceptibles de provoquer des blessures graves, voire mortelles.



AVERTISSEMENT: RISQUE D'INCENDIE

Débranchez toujours le fil de la bougie, laissez refroidir le moteur et relâchez la pression de l'eau avant d'effectuer tout entretien ou toute réparation. Des blessures peuvent survenir si la pression du système n'est pas réduite avant de procéder à l'entretien ou au démontage. Le moteur contient du carburant inflammable. Ne fumez pas et ne travaillez pas à proximité d'une flamme nue pendant l'entretien.



AVERTISSEMENT: BLESSURES LIÉES À DES MODIFICATIONS

Ne modifiez jamais le produit ou l'une de ses parties. Des dommages ou des blessures pourraient en résulter.

Nettoyage du laveur sous pression

Nettoyez toujours le laveur sous pression lorsque le moteur est arrêté et froid. Pour nettoyer le laveur sous pression, utilisez d'abord un compresseur d'air réglé à 25 PSI maximum pour enlever la saleté et les débris des surfaces, des événements et des fentes de refroidissement du laveur sous pression. Ensuite, nettoyez l'extérieur avec un chiffon humide.



AVIS

NETTOYAGE

L'eau peut endommager les composants du moteur du laveur sous pression si elle pénètre par les fentes de refroidissement ou d'autres orifices. Les dommages causés par la pénétration d'eau ne sont pas couverts par la garantie. Pour éviter les dommages causés par l'eau, n'utilisez pas un laveur sous pression, un boyau de jardin ou toute autre source d'eau courante pour nettoyer le moteur du laveur sous pression et ne l'immergez jamais dans un liquide quelconque.



AVIS

PRODUITS DE NETTOYAGE CHIMIQUES

L'utilisation de produits de nettoyage chimique et/ou de liquides corrosifs peut endommager les joints du laveur sous pression et ses composants internes. Les dommages causés par les nettoyants chimiques et les liquides corrosifs ne sont pas couverts par la garantie. Pour éviter ces risques, n'utilisez que des produits de nettoyage, jamais d'eau de Javel et faites toujours passer de l'eau propre dans le laveur sous pression après avoir utilisé des produits chimiques de nettoyage.

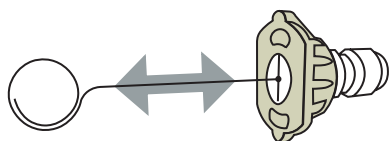
Raccords

Les raccords du tuyau, du pistolet et de la pompe doivent être nettoyés et lubrifiés régulièrement avec une fine pellicule de graisse au lithium pour éviter d'endommager les joints toriques et de provoquer des fuites.

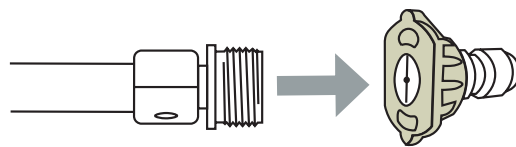
Nettoyage des buses

Si une buse est obstruée, la pompe peut émettre des pulsations et la forme du jet peut changer. Si la buse n'est pas nettoyée, une pression excessive peut se développer et endommager la pompe ou d'autres accessoires. Inspectez les buses avant de les utiliser et suivez les instructions de cette section pour la procédure appropriée de nettoyage des buses.

1. Arrêtez le laveur sous pression.
2. Coupez l'alimentation en eau.
3. Orientez le pistolet de pulvérisation dans une direction sécuritaire et appuyez sur la gâchette pour relâcher la pression de l'eau.
4. Réglez le verrou de la gâchette.
5. Retirez la buse du raccord rapide de la lance.
6. Dégagez toute obstruction de la buse en insérant l'outil de nettoyage de la buse fourni.

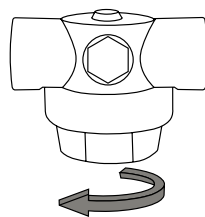


7. Rincez tous les débris détachés de la buse en orientant un tuyau d'arrosage en marche vers la sortie de la buse pendant au moins 30 secondes.

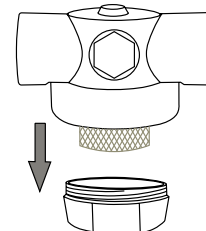


Filtre d'entrée d'eau de pompe haute pression

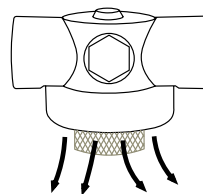
Avant chaque utilisation, vérifiez le filtre d'entrée et nettoyez-le en suivant les étapes ci-dessous. N'utilisez jamais le nettoyeur haute pression sans que le filtre d'entrée soit correctement installé.



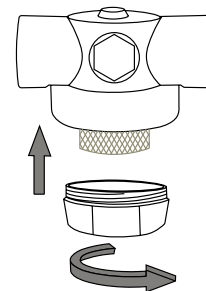
1. Avec la vanne du réservoir fermée, dévissez le couvercle du boîtier au bas du filtre à eau.



2. Retirez tous les débris autour du tamis, à l'intérieur du boîtier et du couvercle.



3. Ouvrez le robinet du réservoir pendant quelques secondes pour éliminer tous les débris du tuyau flexible du réservoir.

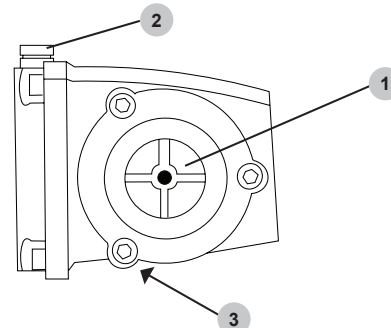


4. Visser le couvercle du boîtier dans le fond du boîtier du filtre à eau ; serrer à la main.

Entretien de la pompe

Remarque : La pompe a été remplie d'huile en usine. L'huile préférée est l'huile de carter de pompe CAT ou SIMPSON® Premium. Si cette huile n'est pas disponible, une huile SAE 15W-40 peut être utilisée. Vidangez l'huile après les 50 premières heures de fonctionnement et toutes les 100 heures par la suite ou tous les 3 mois.

1. Voyant d'huile
2. Bouchon de remplissage d'huile / bouchon d'aération
3. Bouchon de vidange d'huile (non illustré)



Comment vidanger l'huile de la pompe

1. Desserrez le bouchon de remplissage d'huile de la pompe / le capuchon d'aération.
2. Placez un conteneur sous le bouchon de vidange d'huile.
3. Retirez le bouchon de vidange d'huile.
4. Une fois l'huile vidangée, insérez le bouchon de vidange d'huile et serrez-le fermement.
5. Pour les pompes AAA™, remplissez avec l'huile de carter de pompe SIMPSON® Premium. Si cette huile n'est pas disponible, une huile SAE 15W-40 peut être utilisée.
Pour les pompes CAT Pumps®***, remplissez avec une huile hydraulique non détergente (ISO68).
6. Assurez-vous que le niveau d'huile atteint mais ne dépasse pas le point situé au centre du voyant.
7. Insérez le bouchon de remplissage d'huile et serrez-le fermement.

*** Les pompes CAT Pumps® sont une marque déposée de Diversified Dynamics Corporation.

Entretien du moteur

Avant chaque utilisation, vérifiez que le moteur ne comporte pas de pièces desserrées ou endommagées, de signes de fuites d'huile ou de carburant, et/ou toute autre anomalie qui pourrait affecter le bon fonctionnement. Gardez toujours tous les dispositifs de protection en place et en bon état de fonctionnement. Réparez ou remplacez immédiatement toutes les pièces endommagées ou défectueuses.

Pour des raisons de sécurité, le fabricant recommande que tous les entretiens et réparations du moteur (y compris les dispositifs et systèmes antipollution) soient effectués par un centre de service agréé. Tous les remplacements ou réparations sous garantie doivent être effectués par un centre de distribution ou de service agréé. Pour trouver un centre de service agréé près de chez vous, obtenir des renseignements sur la façon de faire une demande de garantie ou prendre des dispositions pour des réparations sous garantie autorisées, veuillez appeler le 1-833-362-7368 ou envoyer un courriel à cservice@fna-group.com.

Pour toute autre information sur l'entretien du moteur, consultez le guide du moteur.

ENTREPOSAGE ET TRANSPORT

Entreposage pendant deux mois ou moins

1. Remplissez le réservoir de carburant conformément à la section LISTE DE CONTRÔLE DE FONCTIONNEMENT de ce manuel, puis ajoutez un stabilisateur de carburant selon les recommandations du fabricant. **REMARQUE** : L'utilisation d'un stabilisateur de carburant (vendu séparément) lors du stockage de l'essence peut aider à prévenir les problèmes liés aux carburants à base d'alcool dans les moteurs des équipements électriques extérieurs. Suivez toujours les instructions fournies par le fabricant du stabilisateur de carburant pour mélanger et utiliser correctement.
2. Assurez-vous que le réservoir contient suffisamment d'eau pour faire fonctionner la pompe pendant environ dix minutes.
3. Effectuez les étapes des sections LISTE DE CONTRÔLE DE FONCTIONNEMENT et CONNEXION DU PISTOLET PULVÉRISATEUR de ce manuel.
4. Démarrez le moteur conformément à la section DÉMARRAGE de ce manuel et faites-le tourner pendant dix (10) minutes pour permettre au carburant stabilisé de circuler dans tout le système de carburant. Assurez-vous d'appuyer sur la gâchette pour que l'eau continue de couler à travers la pompe et le pistolet pulvérisateur afin d'éviter une surchauffe.

5. Tournez le contacteur du moteur en position OFF.
6. Appuyez sur la gâchette du pistolet pulvérisateur pour relâcher la pression dans le tuyau et la pompe, puis vidangez le tuyau haute pression. Débranchez le pistolet pulvérisateur du tuyau haute pression.
7. À l'aide de la vanne à trois voies située sous le réservoir d'eau, vidangez le réservoir.
8. Laissez le moteur refroidir complètement.
9. Protégez la pompe en utilisant la protection de pompe SIMPSON® conformément à la section UTILISATION DE LA PROTECTION DE POMPE du présent guide.
10. Rangez la remorque dans un endroit propre et sec, à l'abri de la lumière directe du soleil.

Stockage pendant plus de deux mois

1. Assurez-vous que le moteur est complètement froid.
2. Retirez tout le carburant du réservoir de carburant, des conduites de carburant et du carburateur en desserrant la vis de vidange au bas du carburateur et en vidant le carburant dans un récipient approprié.
3. Une fois la ou les bougies d'allumage débranchées, changez l'huile moteur.
4. Retirez toute saleté et débris de la zone autour de la ou des bougies d'allumage, puis utilisez une douille de bougie ou une clé pour retirer la ou les bougies d'allumage.
5. Versez 0,5 once (15 ml) d'huile neuve dans la chambre de combustion du moteur. Lancez lentement le moteur en tirant le recul deux (2) fois - ou - utilisez le démarreur électrique pendant une seconde pour répartir l'huile à l'intérieur du cylindre.
6. Installez la ou les bougies d'allumage.
7. Dérouler le flexible haute pression pour le vidanger ; enrouler sur la bobine.
8. À l'aide de la vanne à trois voies située sous le réservoir d'eau, vidangez le réservoir.
9. L'utilisation de SIMPSON Pump Guard ou d'un équivalent est recommandée lors de l'entreposage de la machine pendant plus de 30 jours et/ou lorsque des températures glaciales sont prévues.
10. Rangez la remorque dans un endroit propre et sec, à l'abri de la lumière directe du soleil.

Transport

Assurez-vous de lire et de bien comprendre le « Manuel du propriétaire de la remorque utilitaire » et la feuille « Instructions supplémentaires pour la remorque de nettoyage à pression mobile / remorque à eau » avant de remorquer la remorque.

UTILISATION DE LA PROTECTION DE POMPE SIMPSON®



AVIS

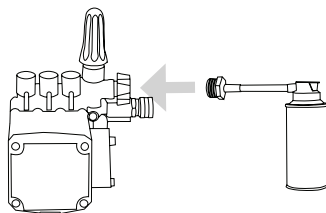
DOMMAGES DE LA POMPE

Laisser de l'eau à l'intérieur de la pompe par temps de gel causera des dommages divisibles à la pompe. Pour éviter des dommages coûteux, traitez toujours la pompe avec la protection de pompe SIMPSON® afin d'éliminer l'eau piégée et de remplir la pompe d'une solution lubrifiante et antigel.

La protection de pompe SIMPSON® (vendue séparément) est formulée pour protéger votre pompe pendant l'entreposage à long terme et contre les dommages causés par le gel. La protection de pompe doit être utilisée tout au long de la saison pour que les joints restent souples et bien lubrifiés. Avant d'entreposer l'appareil pour l'hiver ou lorsqu'il y a un risque de gel, utilisez la protection de pompe pour éliminer toute trace d'eau des cavités internes tout en les remplissant d'une solution antigel. La protection de pompe est une assurance pour votre investissement, utilisez-la.

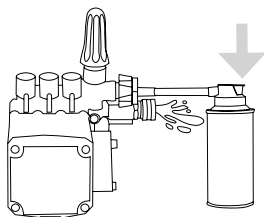
Utilisez simplement la protection de pompe en suivant les étapes suivantes :

1. Vissez l'adaptateur de la protection de pompe dans l'entrée du tuyau d'arrosage de la pompe.



2. Appuyez sur le bouton et maintenez-le enfoncé jusqu'à ce que toute l'eau et la protection de pompe commencent à sortir de l'orifice haute pression.

3. Dévissez la protection de pompe et préparez le laveur sous pression pour l'entreposage comme indiqué dans la section ENTREPOSAGE ET TRANSPORT.



GARANTIE COMMERCIALE LIMITÉE

CONDITIONS DE LA COUVERTURE DE GARANTIE :

Le fabricant de ce produit accepte de réparer ou de remplacer les pièces désignées qui s'avèrent défectueuses pendant la période de garantie indiquée ci-dessous, à sa seule discrétion. Des limitations/ extensions et exclusions particulières s'appliquent.

Cette garantie couvre les défaut de pièces et main d'œuvre mais exclut les pièces défectueuses en raison de l'usure normale, de la détérioration, de la mauvaise utilisation, de dommages accidentels, de négligence, utilisation incorrecte, entretien, qualité de l'eau ou de l'entreposage. Les articles d'usure normale incluent, mais sans s'y limiter, les articles tels que la valve et les joints, qui ne sont pas couverts par cette garantie. Pour faire une réclamation selon les conditions de garantie, toutes les pièces supposées défectueuses doivent être conservées et disponibles pour retour sur demande à un centre de service sous garantie pour inspection. Les évaluations et décisions du fabricant concernant la validité des réclamations sous garanties sont définitives.

Cette garantie limitée s'applique uniquement au consommateur ayant initialement acheté le produit neuf auprès du fabricant ou d'un vendeur autorisé. Elle ne s'étend pas à un propriétaire ultérieur ou à un transfert du produit par le consommateur, et ne peut être fournie par un revendeur non agréé. Les centres de service de garantie agréés et formés par l'usine respecteront les conditions de toutes les garanties des composants et satisferont les demandes des dispositions appropriées de la garantie.

Cette garantie remplace toute autre garantie, expresse ou implicite, notamment et sans limitation toutes les garanties de qualité marchande et d'adaptation à un usage particulier et toutes ces garanties sont déclinées par les présentes et exclues par le fabricant. L'obligation de garantie du fabricant est limitée à la réparation et au remplacement des produits défectueux comme exposé aux présentes et le fabricant décline toute responsabilité en cas d'autres pertes, dommages ou dépenses - y compris les dommages de transport, accidentels, dus à de mauvais traitements, catastrophes naturelles, mauvaise utilisation ou négligence. Les dommages suite à réparations utilisant des pièces approvisionnées auprès d'autres sources que le fabricant ou les modifications effectuées par du personnel autre que celui de l'usine sont également exclus. Faute d'installer et d'exploiter l'équipement conformément aux recommandations exposées dans le manuel d'utilisation, la garantie sera annulée.

LA PRÉSENTE GARANTIE NE COUVRE PAS :

Les dommages résultant du transport (les réclamations doivent être déposées auprès du transporteur), d'un accident, d'un abus, d'un cas de force majeure, d'une mauvaise utilisation ou d'une négligence. Cette garantie ne couvre pas non plus les dommages résultant de réparations ou modifications effectuées par du personnel autre que celui autorisé par l'usine ou le manquement à installer et exploiter l'équipement conformément aux recommandations exposées dans le manuel d'utilisation. Le fabricant décline toute responsabilité vis-à-vis des personnes en cas de dommage consécutif, d'accident corporel ou de perte commerciale.

RESPONSABILITÉ DE L'ACHETEUR D'ORIGINE (UTILISATEUR INITIAL) :

Pour le traitement d'une réclamation sous garantie pour votre laveuse sous pression SIMPSON®, signalez le problème au 1 833 362-7368 ou à cservice@FNA-GROUP.COM pour obtenir l'autorisation et les directives concernant le centre de service le plus proche de votre zone.

Conservez le reçu de caisse original comme preuve d'achat pour les travaux sous garantie.

Prenez un soin raisonnable pour l'utilisation et l'entretien du produit, comme indiqué dans le(s) guide(s) du propriétaire.

LA GARANTIE NE COUVRE PAS :

- Dommages de transport
- Dommages dus à la détérioration chimique, à l'eau salée, à la rouille ou à la corrosion
- Dommages causés par des pièces ou accessoires obtenus d'une autre source qu'un concessionnaire agréé ou non approuvés par le fabricant
- Usure normale des pièces mobiles ou des composants affectés par les pièces mobiles
- Pièces consommables telles que : filtre à carburant, filtre à air, bougie(s) d'allumage, câble de démarreur manuel, huile et lubrifiant(s)
- Travaux d'entretien périodiques normaux tels que le nettoyage du carburateur et la vidange de l'huile moteur
- Dommages dus au gel

PÉRIODES DE COUVERTURE DE LA GARANTIE:

SYSTÈME DE CONTRÔLE DU MOTEUR ET DES ÉMISSIONS

- Couvert par la garantie du fabricant du moteur. Voir manuel du moteur.

POMPE À HAUTE PRESSION (DÉFAUTS DE MATÉRIAUX ET DE FABRICATION)

- CINQ (5) ans à partir de la date d'achat.

FRAME (DEFECTS IN MATERIAL AND WORKMANSHIP)

- UN (1) an à partir de la date d'achat.

ACCESSOIRES (DÉFAUTS DE MATÉRIAUX ET DE FABRICATION)

- Buses, flexibles, pistolets pulvérisateurs, baguettes, pneus, pieds en caoutchouc : quatre-vingt-dix (90) jours à compter de la date d'achat

REMARQUES

CETTE PAGE A ÉTÉ INTENTIONNELLEMENT LAISSÉE BLANCHE



LIRE ATTENTIVEMENT CE GUIDE AVANT L'UTILISATION

Le fait de ne pas suivre les instructions et les précautions de sécurité de ce guide peut entraîner des dommages matériels, des blessures graves et/ou la mort.

CONSERVEZ CE GUIDE POUR RÉFÉRENCE ULTÉRIEURE

Copyright © 2026 FNA-Group, Inc. Tous droits réservés.



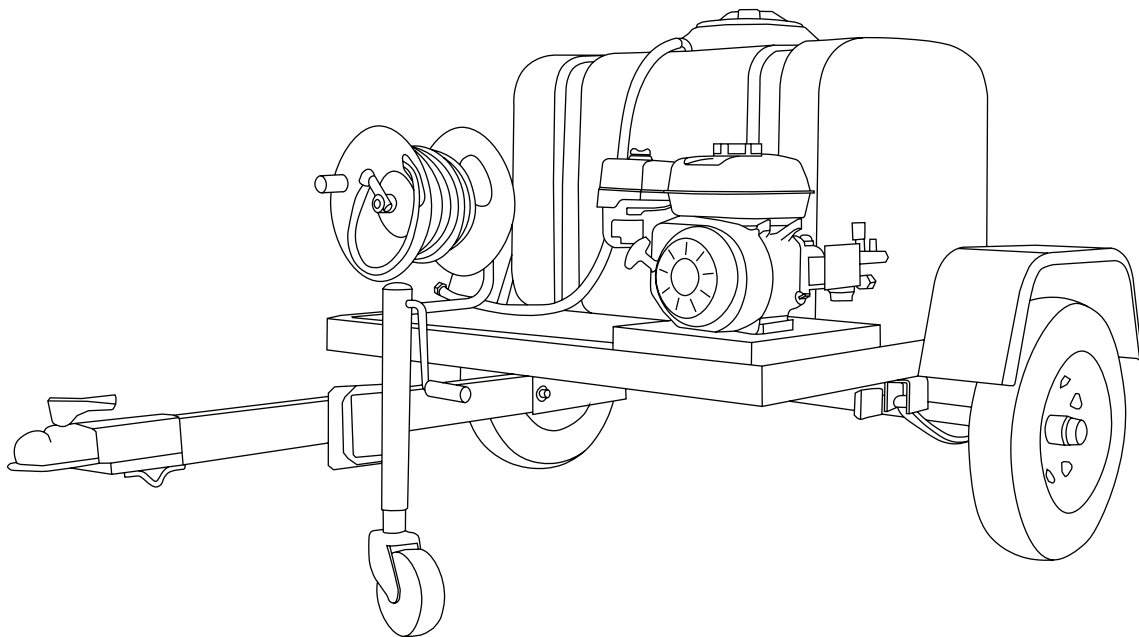
LAVADORA A PRESIÓN

MANUAL DE USO Y CUIDADO

Para remolques de lavado a presión con agua fría



NO A LA VENTA EN EL
ESTADO DE CALIFORNIA



 **MIRA ANTES DE BOMBEAR!**
— Porcentaje de etanol —
<10% **OK** **NO** 15%–30%–85%



LEA ESTE MANUAL DETENIDAMENTE ANTES DE LA OPERACIÓN

El incumplimiento de las instrucciones y precauciones de seguridad de este manual puede provocar daños a la propiedad, lesiones graves y/o la muerte.

Si su lavadora a presión no funciona o si faltan partes o están rotas, NO LA DEVUELVA AL LUGAR DE COMPRA. Comuníquese con nuestro Departamento de Servicio al Cliente llamando al **1-833-362-7368** o enviando un correo electrónico a cservice@fna-group.com

CONSERVE ESTE MANUAL PARA FUTURA REFERENCIA

NOTA: Las fotografías y los dibujos lineales utilizados en este manual son sólo para referencia y pueden no representar su modelo específico.

CONSERVE ESTE MANUAL PARA USO FUTURO

Guarde este manual para consultarlo en el futuro. Este manual debe considerarse una parte permanente del producto y permanecer con él. Este manual debe estar disponible para cualquier persona que opere los productos que cubre. Este manual debe permanecer con los productos que cubre si se vende a un nuevo propietario. Si el manual se daña, se pierde o no se puede utilizar de otro modo, puede descargar una nueva copia desde las páginas del producto en:

www.simpsoncleaning.com

Anote el número de modelo, el número de serie y la fecha de compra de este producto en los espacios proporcionados a continuación y luego guarde este manual con los recibos de compra para referencia futura.

Número de modelo: _____

Número de serie: _____

Fecha de compra: _____



ADVERTENCIA DE PROPUESTA 65 DE CALIFORNIA

Este producto y el escape del motor pueden exponerlo a sustancias químicas que en el estado de California se sabe que causan cáncer, defectos de nacimiento u otros daños reproductivos. Para obtener más información sobre la Propuesta 65 de California, visite www.P65Warnings.ca.gov.



ADVERTENCIA DE HIDROCARBUROS AROMÁTICOS POLICÍCLICOS

El elemento del filtro de aire y el ensamble de la caja de aire pueden contener hidrocarburos aromáticos policíclicos (HAP). Algunos HAP pueden causar cáncer. Para evitar la exposición a los HAP, use guantes cuando realice el mantenimiento del filtro de aire.



PELIGRO:

Asegúrese de leer y comprender completamente tanto el "Manual del propietario del remolque utilitario" como la hoja "Instrucciones adicionales del remolque de limpieza a presión móvil / remolque de agua" antes de remolcar el remolque. Si extravió su copia del manual, comuníquese con nuestro Departamento de Servicio al Cliente llamando al **1-833-362-7368** o enviando un correo electrónico a cservice@fna-group.com

TABLA DE CONTENIDO

INSTRUCCIONES DE SEGURIDAD	1
Lea este manual antes de la operación	1
Instrucciones adicionales	1
Símbolos de alerta de peligro	1
RENUNCIAS DE RESPONSABILIDAD	2
EQUIPO DE PROTECCIÓN PERSONAL	2
DESEMBALAJE / INSTALACIÓN DE LA LENGUA DEL REMOLQUE	2
Instalación de la lengüeta del remolque	2
Lengüeta de remolque con bisagra separable	3
ENSAMBLE	3
Ventilación de la bomba	3
Ensamble la pistola rociadora	4
Colocación de boquillas	4
Conectar una batería	4
UBICACIÓN DE LOS COMPONENTES	5
Remolque con motor monocilíndrico	5
Remolque con motor de dos cilindros	5
Vista trasera del remolque	5
Componentes de la bomba de alta presión	5
Controles del motor monocilíndrico	5
VÁLVULA DEL TANQUE DE AGUA	6
LLENADO DEL DEPÓSITO DE AGUA	6
CONECTANDO LA PISTOLA PULVERIZADORA	6
BOQUILLAS	7
Selección de boquilla	7
Instalación de boquillas	7
USO DE QUÍMICOS	8
LISTA DE VERIFICACIÓN DE FUNCIONAMIENTO	8
Ubicación	8
Operación a gran altitud	9
Condiciones de operación	9
Verificación de aceite del motor: motor monocilíndrico	10
Verificación de aceite del motor: motor de dos cilindros	10
Revisión de combustible: motor monocilíndrico	11
Revisión de combustible: motor de dos cilindros	11
ARRANQUE DEL MOTOR	12
Motor monocilíndrico	12
Motor de dos cilindros	13
APAGAR EL MOTOR	13

INSTRUCCIONES DE SEGURIDAD

CONSEJOS DE OPERACIÓN	13
Términos	13
Preparación	13
Lavado a presión	14
Ajuste de la presión de la superficie	14
Ajuste de la perilla de control manual del descargador para ajustar la presión	14
SOLUCIÓN DE PROBLEMAS	14
MANTENIMIENTO	15
Mantenimiento	15
Limpieza de lavadora a presión	16
Conexiones	16
Limpieza de boquillas	16
Filtro de entrada de agua	16
Mantenimiento de la bomba	17
Mantenimiento del motor	17
ALMACENAJE Y TRANSPORTE	17
Almacenamiento durante dos meses o menos	17
Almacenamiento durante más de dos meses	17
Transportation	18
USO DE PUMP GUARD SIMPSON®	18
GARANTÍA	19



LEA ESTE MANUAL ANTES DE LA OPERACIÓN

Este manual contiene información e instrucciones de seguridad importantes. **No** opere este producto hasta que haya leído y entendido completamente todas las instrucciones de seguridad, operación y mantenimiento enumeradas en este manual. El incumplimiento de la información contenida en este manual resultará en daños a la propiedad, lesiones y/o muerte.

NOTA: Las advertencias y precauciones discutidas en este manual no pueden cubrir todas las condiciones y situaciones que puedan ocurrir. El operador debe comprender que la conciencia y la precaución son factores que no se pueden incorporar a este producto y, por lo tanto, deben ser ejercidos por el operador.



INSTRUCCIONES ADICIONALES

Junto con este manual, asegúrese de leer las instrucciones adicionales proporcionadas tanto en el producto como en el mismo, el equipo adjunto, los accesorios y el motor que alimenta el producto. Preste especial atención a todas las reglas e instrucciones de seguridad adicionales sobre los procedimientos adecuados de arranque, operación y apagado. Utilice siempre cualquier vestimenta protectora recomendada que pueda ser necesaria para operar el equipo de manera segura.



SÍMBOLOS DE ALERTA DE PELIGRO

Asegúrese de comprender los símbolos de seguridad y las definiciones que se enumeran a continuación. Cada símbolo contiene una de cuatro palabras: **PELIGRO, ADVERTENCIA, PRECAUCIÓN, AVISO**, que indican diferentes niveles de gravedad del peligro. Estos símbolos se utilizan en todo este manual y van seguidos de información sobre un peligro específico, las consecuencias del peligro e instrucciones sobre cómo evitarlo. No prestar atención a estos símbolos y seguir las instrucciones proporcionadas con ellos resultará en daños a la propiedad, lesiones y/o la muerte.

PELIGRO:

Indica una situación de peligro inminente que, si no se evita, provocará daños a la propiedad, lesiones graves y/o la muerte.

ADVERTENCIA:

Indica una situación potencialmente peligrosa que, si no se evita, podría provocar daños a la propiedad, lesiones graves y/o la muerte.

PRECAUCIÓN:

Indica una situación peligrosa que, si no se evita, podría provocar daños a la propiedad y/o lesiones menores a moderadas.

AVISO

Indica información que se considera importante pero no está relacionada directamente con un peligro.



ADVERTENCIA: PRÁCTICAS INSEGURAS

No opere la unidad cuando esté fatigado o bajo la influencia de drogas y/o alcohol. Manténgase alerta en todo momento. No se estire ni se pare sobre una superficie inestable. No rocíe mientras se encuentra sobre una escalera. La fuerza reactiva del rocío hará que la pistola rociadora rebote y podría hacer que el operador se resbale o caiga o que dirija mal el rociador. El control inadecuado de la pistola rociadora puede provocar lesiones a sí mismo o a otras personas. Sujete la pistola rociadora firmemente con ambas manos. Es posible que la pistola rociadora rebote cuando se activa el gatillo. Nunca apunte la pistola rociadora hacia personas o animales ni rocíe con ella.

CAUTION



PELIGRO DE TROPIEZOS

Las mangueras pueden representar un peligro de tropiezo que puede causar lesiones como resultado de una caída.

PRECAUCION:

PELIGROS DE RESBALÓN / TROPIEZO

Cuando se lave a presión en áreas públicas, se deben colocar letreros que indiquen mantenerse alejado del área mientras se realiza el lavado a alta presión. Además, se deben colocar letreros que indiquen que la superficie puede estar resbaladiza y que puede haber riesgos de tropiezos.

Se debe prestar especial atención a la seguridad no solo del operador de la lavadora a presión, sino también de las personas que puedan estar junto al área que se está limpiando. La mejor manera de advertir a las personas desprevenidas es con señalización y barreras.

Las barreras pueden ser tan simples como conos de tráfico de plástico o barricadas para usar cinturones de barrera alrededor del área que se está limpiando. Recuerde, el lavado a presión puede desalojar el pavimento débil o roto convirtiéndolo en proyectiles que pueden lesionar a otros. Mantener a las personas alejadas del área es la mejor manera de evitar lesiones.

El pavimento mojado puede ser resbaladizo para las personas desprevenidas y causar lesiones por resbalones y caídas. Las mangueras de alta y baja presión pueden representar un riesgo de tropiezo. Segregar el área y colocar la señalización adecuada puede reducir las lesiones.

Ejemplos de signos



Ejemplos de barreras



AVISO

Este aparato no está diseñado para ser utilizado por personas con capacidades físicas, sensoriales o mentales reducidas o que carezcan de experiencia y conocimientos, a menos que una persona responsable de su seguridad las supervise o les dé instrucciones sobre el uso del aparato.

Se debe supervisar a los niños para asegurarse que no utilicen ni jueguen con el aparato.

RENUNCIAS DE RESPONSABILIDAD

- Toda la información de esta publicación se basó en la información de producto más reciente disponible en el momento de la impresión. FNA Group se reserva el derecho de actualizar, cambiar y/ mejorar el producto y este documento en cualquier momento, sin previo aviso y sin incurrir en ninguna obligación.
- Este manual puede cubrir más de una máquina. Las imágenes y figuras del manual deben usarse sólo como referencia. Puede haber diferencias entre su producto y las imágenes, dibujos y diagramas de este manual.

EQUIPO DE PROTECCIÓN PERSONAL

Es importante comprender qué equipo de protección personal (EPP) se debe utilizar al usar su lavadora a presión. Los objetos livianos o no asegurados pueden convertirse en proyectiles peligrosos. A continuación se muestra una lista de artículos de EPP que deben utilizarse en todo momento cuando se usa la lavadora a presión.

Audición - Tapones para los oídos u orejeras para proteger su audición.

Visión - Anteojos de seguridad Z87.1 aprobados por ANSI para proteger sus ojos.

Ropa - Pantalones largos y una camisa de manga larga para proteger sus piernas y brazos de los escombros que salen volando

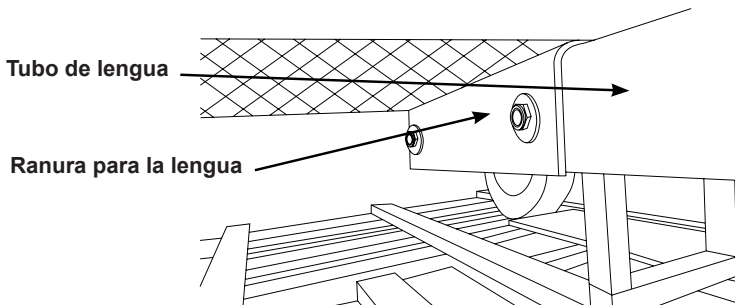
Calzado - Zapatos con suela de hule que cubran completamente los pies para protegerlos de residuos, rociado excesivo y descargas eléctricas.

DESEMBALAJE / INSTALACIÓN DE LENGUA

Siga los pasos descritos en esta sección para desembalar y ensamblar su remolque de lavado a presión. Si tiene alguna pregunta sobre el desembalaje o el montaje de su remolque de lavado a presión, tenga a mano su número de modelo y número de serie, luego comuníquese con atención al cliente al 1-833-362-7368 o envíe un correo electrónico a cservice@fna-group.com.

Instalación de la lengüeta del remolque (si está equipada)

1. Desabroche y desenvuelve el conjunto de lengüeta de la caja del remolque.
2. Deslice el conjunto de lengüeta en la ranura ubicada debajo de la sección delantera del remolque.

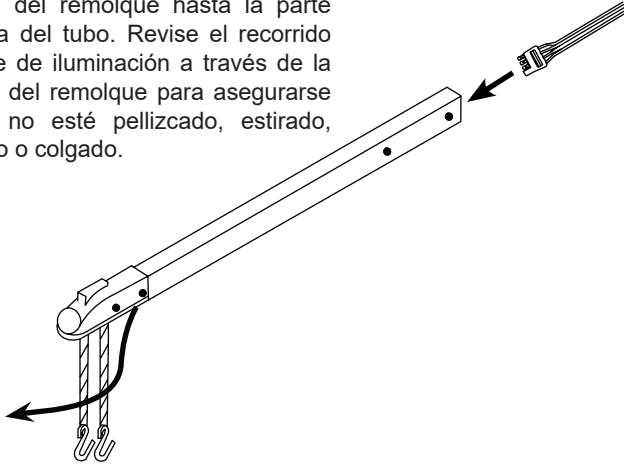


PRECAUCION:

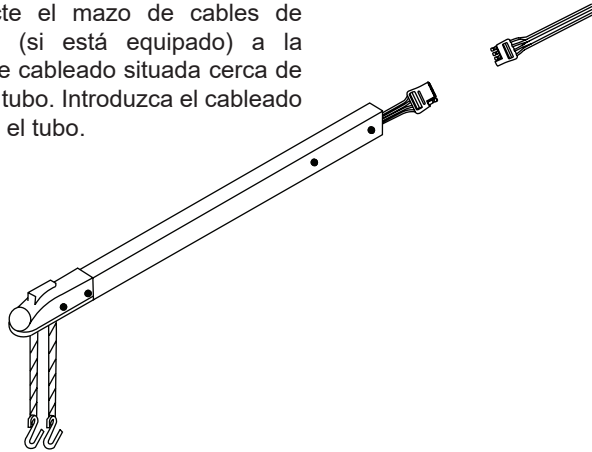
PUNTO DE PELLIZCO

Evite colocar las manos entre el mango y el marco cuando realice el ensamblado para no pellizcarse.

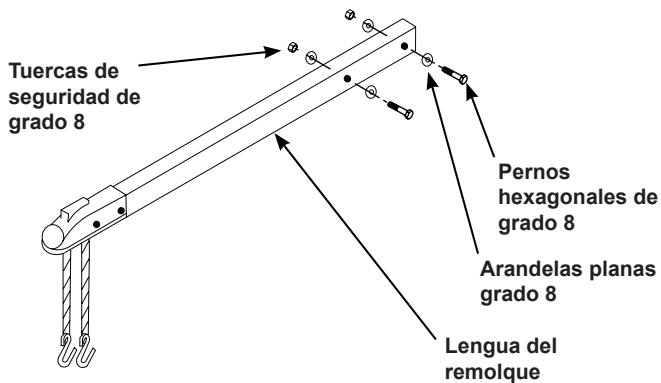
3A. Si corresponde, deslice el cable de iluminación a través del tubo de iluminación a través del tubo de lengüeta del remolque hasta la parte delantera del tubo. Revise el recorrido del cable de iluminación a través de la lengüeta del remolque para asegurarse de que no esté pellizcado, estirado, enredado o colgado.



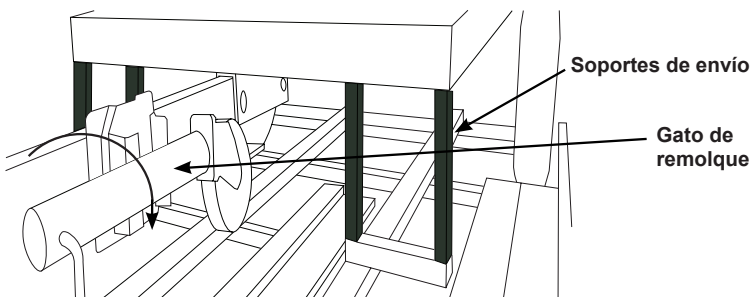
3B. Conecte el mazo de cables de iluminación (si está equipado) a la conexión de cableado situada cerca de la base del tubo. Introduzca el cableado restante en el tubo.



4. El hardware está ubicado en la bandeja de malla de alambre frontal. Monte los herrajes de la lengüeta del remolque a través de la ranura para la lengüeta y el tubo de la lengüeta, asegurándose de que el cable de iluminación no quede aprisionado. Apretar.



5. Gire hacia abajo el gato. Gire el gato hacia abajo para quitar peso de los soportes de envío de madera delanteros. Una vez quitado el peso, se pueden quitar los soportes.



6. Retire la correa de amarre con trinquete de la parte trasera del remolque.

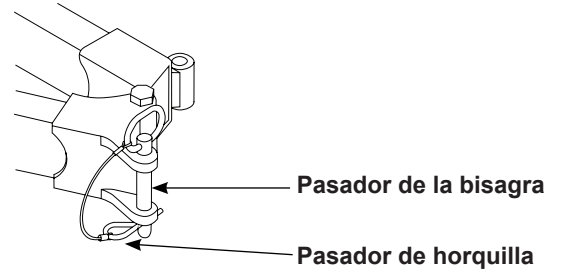
Lengüeta del remolque con bisagra separable

(si está equipado)

La lengüeta del remolque con bisagra separable se ha instalado para usted en la fábrica.

El propósito de la bisagra es permitirle doblar la lengüeta hacia atrás cuando no esté en uso, lo que permite acortar la longitud del remolque para su almacenamiento.

Cuando esté listo para remolcar el remolque, gire la lengüeta hacia adelante y luego bloquee la bisagra con el pasador de la bisagra; asegúrelo con la chaveta. Una vez que la lengüeta del remolque esté conectada a la bola de enganche del vehículo remolcador, conecte las cadenas de seguridad al vehículo remolcador.

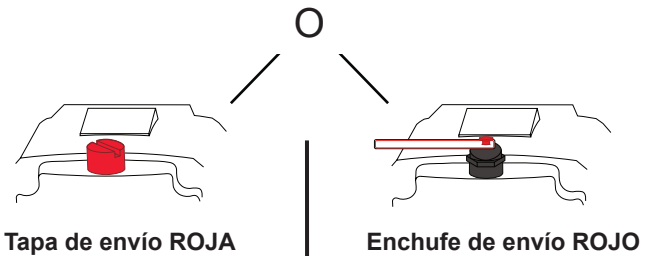


Asegúrese de leer y comprender completamente tanto el "Manual del propietario del remolque utilitario" como la hoja "Instrucciones adicionales del remolque de limpieza a presión móvil / remolque de agua" antes de remolcar el remolque.

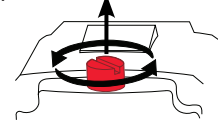
ENSAMBLE

Ventilación de la bomba (si corresponde)

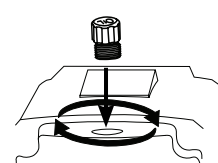
La bomba de alta presión puede tener un respiradero que necesitará su atención antes de usar la lavadora por primera vez. Consulte a continuación el estilo que pueda tener.



1. Con un destornillador de punta, retire el tapón de envío ROJO de la parte superior de la bomba.

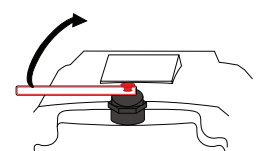


2. Enrosque con la mano la tapa del respiradero NEGRO en la bomba.

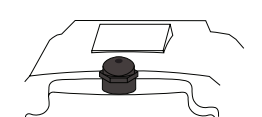


3. Apriete la tapa con los dedos.

1. Agarre la etiqueta y retírela junto con el tapón de envío ROJO.

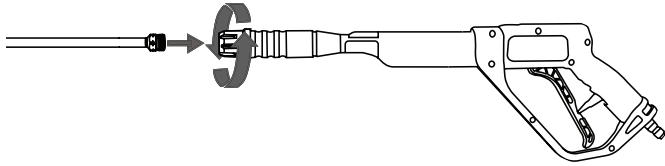


2. El respiradero ahora está abierto correctamente.



Ensamble la pistola rociadora

1. Asegure la lanza a la pistola girando cuidadosamente el acoplador sobre la pistola rociadora hasta que el acoplador deje de girar. No apriete en exceso. La mayoría de las roscas en la lanza no serán visibles si la lanza y la pistola se ensamblan adecuadamente. Tenga cuidado de no trasroscar la pistola y la lanza.



ADVERTENCIA: LESIÓN POR INYECCIÓN

Riesgo de inyección de fluido. Al utilizar varillas o pistolas de repuesto con esta lavadora a presión, no utilice una lanza ni una combinación de lanza y pistola de menor longitud que la proporcionada con la lavadora a presión, medida desde el extremo de la boquilla de la lanza hasta el gatillo de la pistola.

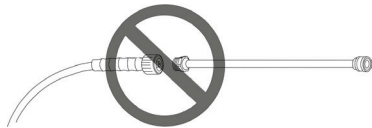


ADVERTENCIA: ENSAMBLE INCORRECTO

Asegúrese que todas las partes estén ensambladas en el orden y la orientación que se indican en este manual. Si no se ensamblan correctamente las piezas, pueden producirse lesiones graves o daños a la propiedad.

Las roscas del acoplador de lanza y pistola pueden enroscarse fácilmente, lo que resulta en un montaje inadecuado. Un montaje inadecuado de la pistola y la lanza puede provocar lesiones personales. No lo use si las roscas del acoplador de la pistola y/o la lanza están cruzadas.

No conecte la lanza directamente a la manguera de alta presión. Conecte siempre la lanza a la pistola rociadora y la pistola a la manguera de alta presión para evitar lesiones graves.



Colocación de boquillas

Retire las boquillas de conexión rápida de colores de la bolsa de plástico e insértelas en las arandelas de goma junto a su color correspondiente en la etiqueta.

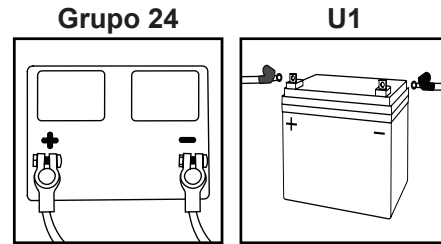


PRECAUCIÓN: CLASIFICACIÓN DE PRESIÓN

Utilice únicamente accesorios o repuestos con una clasificación igual o superior a la de la lavadora a presión para evitar lesiones graves, daños en la lavadora a presión o en los accesorios.

Conectar una batería (si está equipada)

La hidrolavadora no viene con batería. Debe instalar una batería del grupo 24 o del tamaño U1 antes de usar la hidrolavadora. Consulte su hidrolavadora para determinar el tamaño requerido, como se indica a continuación. Antes de usar la función de arranque eléctrico, la batería debe estar completamente cargada y el cable de arranque de la hidrolavadora debe estar conectado al puerto de conexión de la batería.



***Los estilos de batería pueden variar.**

1. Retire la tapa de la caja de la batería.
2. Coloque con cuidado la batería en la caja de la batería.
3. Coloque el cable rojo positivo (+) de la batería en el poste positivo (+) de la batería. Apriete la abrazadera.
4. Coloque el cable negro negativo (-) de la batería en el borne negativo (-) de la batería. Apriete la abrazadera.
5. Vuelva a colocar la tapa en la caja de la batería.



ADVERTENCIA: CHOQUE ELÉCTRICO

Retire siempre el cable negro negativo (-) de la batería primero y siempre conecte el cable negro negativo (-) de la batería al final.



PELIGRO: RIESGO DE QUEMADURAS POR ÁCIDO

Las baterías contienen ácido que puede causar quemaduras graves en la piel y/o daños en los ojos, y puede ser fatal si se ingiere. No intente desarmar la batería ni la incline. Al manipular la batería, use gafas de seguridad y guantes resistentes a productos químicos. No coma, beba, fume ni acerque una llama abierta a la batería. Lávese bien las manos después de manipular la batería. Si se expone al ácido de la batería o experimenta hinchazón, enrojecimiento, dolor al respirar, vómitos, ceguera y/o quemaduras, comuníquese con un centro de toxicología o con un médico de inmediato.

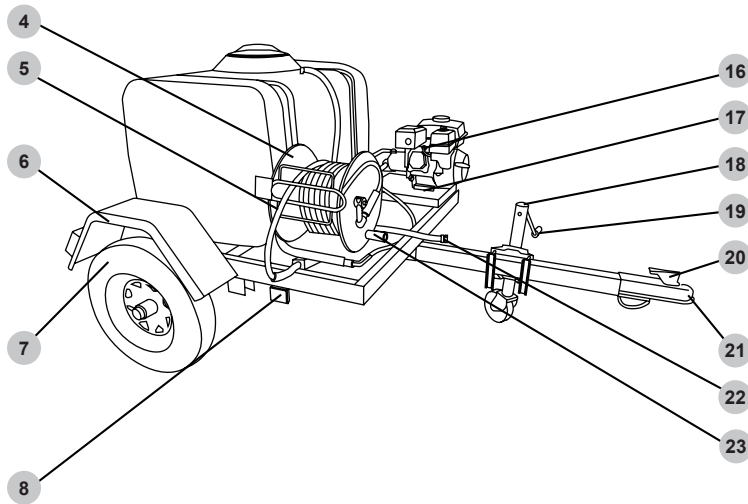
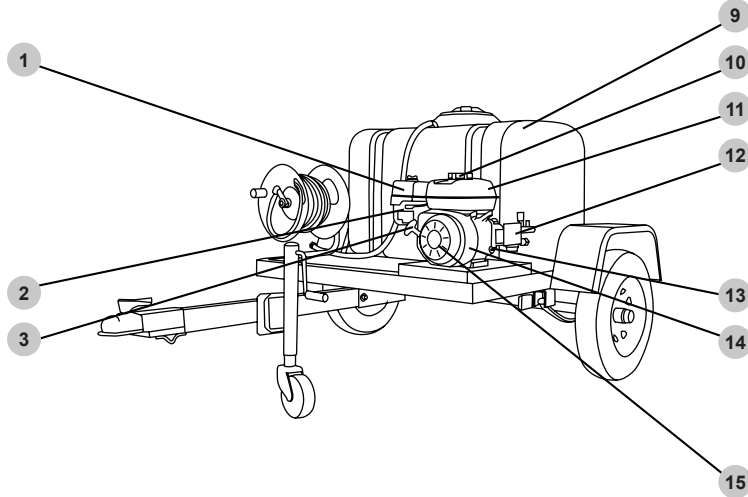


PELIGRO: RIESGO DE EXPLOSIÓN O INCENDIO

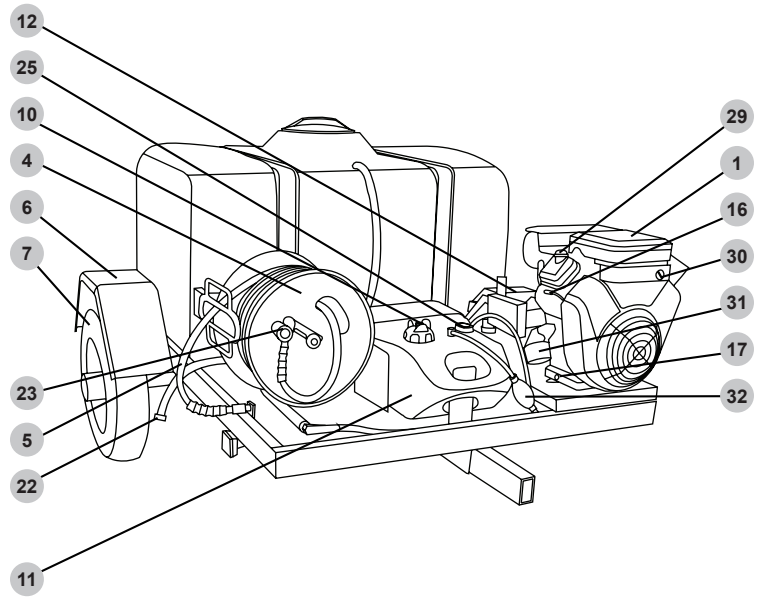
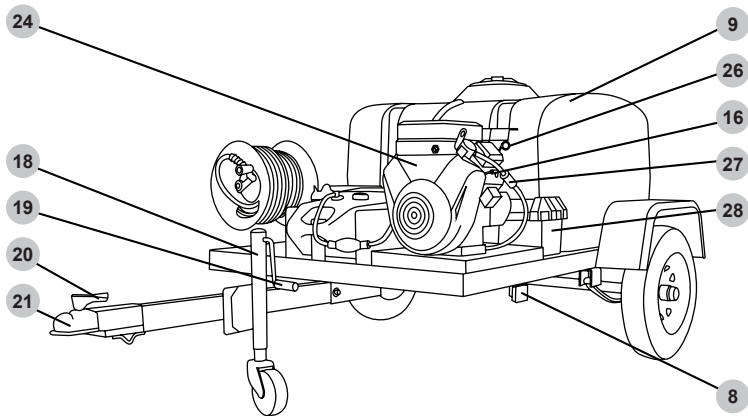
Para reducir el riesgo de descarga eléctrica o explosión, no provoque cortocircuito en los terminales de la batería ni la cargue en un recipiente sellado. Mantenga alejadas las chispas y las llamas. Mantenga la batería alejada de otros objetos metálicos, como sujetapapeles, monedas, llaves, clavos, tornillos u otros objetos metálicos pequeños que puedan hacer una conexión entre un terminal y otro. No utilice herramientas metálicas para realizar las conexiones. Los objetos metálicos pueden hacer una conexión entre un terminal y otro. Hacer cortocircuito entre los terminales de la batería puede provocar chispas, quemaduras o un incendio.

UBICACIÓN DE COMPONENTE

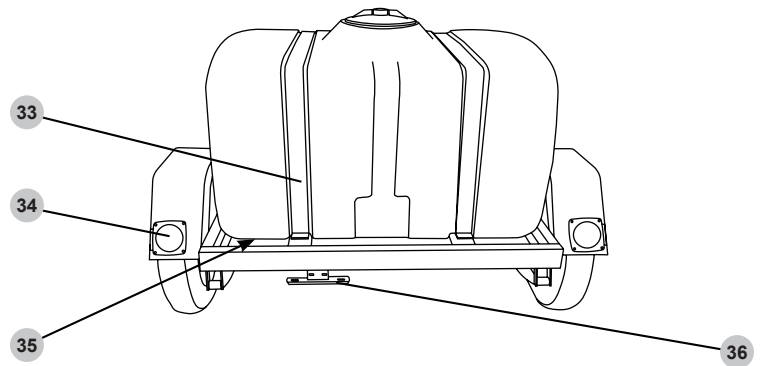
Remolque con motor monocilíndrico



Remolque con motor de dos cilindros

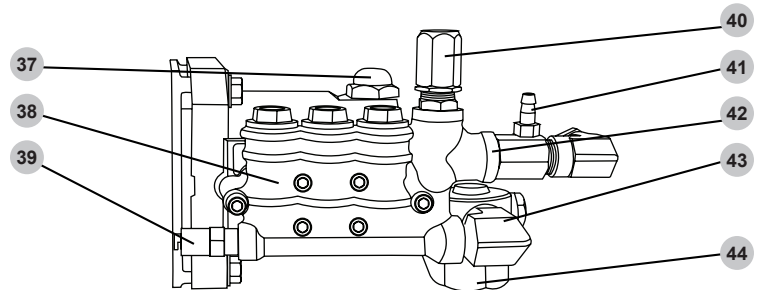


Vista trasera del remolque

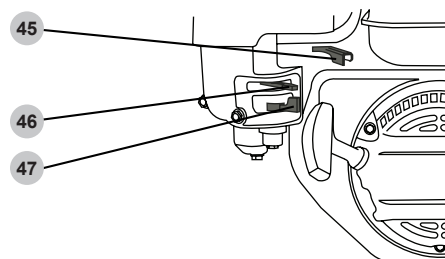


Componentes de la bomba de alta presión

(El estilo de la bomba y los componentes pueden variar)



Controles de motor monocilíndrico



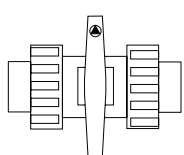
1. Caja del filtro de aire del motor
2. Controles del motor
3. Mango de arranque del motor
4. Enrollador de manguera de alta presión
5. Manguera de alta presión
6. Guardabarros de rueda
7. Neumático
8. Luz de posición lateral (ámbar)
9. Depósito de agua
10. Tapón de llenado de combustible
11. Depósito de combustible
12. Bomba de alta presión
13. Tapón de llenado de aceite/varilla medidora
14. Interruptor encendido/apagado du moteur
15. Motor monocilíndrico
16. Bujía
17. Tapón de drenaje de aceite del motor
18. Gato de remolque
19. Mango del gato del remolque
20. Palanca de bloqueo del enganche
21. Enganche de bola
22. Acoplador de manguera de jardín para llenar el tanque de agua.
23. Mango del carrete de manguera
24. Motor de dos cilindros
25. Indicador de combustible
26. Varilla de nivel de aceite del motor
27. Filtro de combustible
28. Caja de batería
29. Tapón de llenado de aceite del motor
30. Interruptor de encendido/apagado de la llave del motor
31. Filtro de aceite de motor
32. Bombilla de cebado de combustible
33. Correas del tanque
34. Luces de freno (rojas)
35. Válvula del tanque de agua (no se muestra)
36. Titular de la matrícula
37. Tapón de llenado/respiradero de aceite de la bomba
38. Colector de bomba
39. Válvula de alivio térmico
40. Descargador de presión
41. Púa de inyección de detergente (jabón)
42. Salida de bomba
43. Entrada de bomba
44. Caja del filtro de agua
45. Acelerador del motor (si está equipado)
46. Estrangulador del motor (si está equipado)
47. Válvula de combustible del motor (si está equipado)

VÁLVULA DEL TANQUE DE AGUA

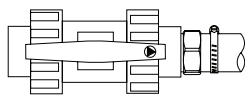
(Si está equipado)

Ubicada debajo del tanque de agua, hay una válvula de tres vías. Esta válvula le permite controlar el flujo de agua del tanque, incluido el drenaje del tanque durante climas helados. Cuando la manija de la válvula está perpendicular al cuerpo de la válvula, la válvula está en la posición cerrada (no saldrá agua del tanque).

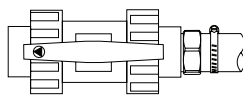
Al colocar la manija de la válvula paralela al cuerpo de la válvula, la válvula se abre permitiendo que el agua fluya en la dirección de la flecha en la manija de la válvula. Cuando la flecha apunta hacia la manguera que conduce a la bomba de alta presión, el tanque está listo para suministrar agua a la bomba. Al colocar la manija con la flecha apuntando hacia la conexión abierta, el tanque ahora se drenará, lo que permitirá limpiarlo o prepararlo para un clima helado.



CERRADO



ABIERTO,
LAVADO A
PRESIÓN



ABIERTO,
DRENAJE
DEL TANQUE

LLENADO DEL DEPÓSITO DE AGUA

El agua utilizada en el tanque debe ser agua limpia y potable. No utilice agua reciclada, gris o de estanque. Este tipo de agua obstruirá rápidamente el filtro de agua y puede provocar daños en la bomba. Nunca utilice ningún tipo de limpiadores/acondicionadores de agua en el tanque. Esto puede dar lugar a costosas reparaciones de la bomba que no están cubiertas por la garantía. NO use agua caliente, sólo agua fría.



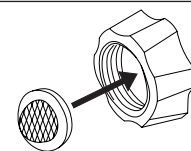
ADVERTENCIA:

PREVENCIÓN DE REFLUJO

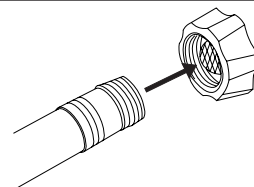
Para reducir la posibilidad de contaminación, siempre proteja contra el reflujo cuando esté conectado al sistema de agua potable. Es posible que en algunos municipios se requiera un dispositivo de prevención de reflujo. El dispositivo de prevención de reflujo debe conectarse entre el sistema de agua y la manguera de suministro de agua.

1. Gire la válvula del tanque a la posición CERRADA.

2. Verifique que el filtro de entrada esté libre de suciedad o escombros y que esté en su lugar con el lado convexo hacia afuera.



3. Abra el suministro de agua y déjelo funcionar durante 30 segundos para purgar cualquier residuo de la manguera de suministro. Luego, cierre el suministro de agua y enrosque la manguera de suministro de agua en la manguera de llenado del tanque.



4. Abra el suministro de agua. Deje que el tanque se llene hasta el nivel LLENO.

5. Una vez que el tanque esté lleno, cierre el suministro de agua y luego desconecte la manguera de suministro de agua.

¡NO mueva el remolque a menos que la manguera de suministro de agua esté desconectada! Se producirán daños en la manguera de llenado del tanque, la manguera de suministro de agua y el grifo de la manguera del sistema de agua.

CONECTANDO LA PISTOLA PULVERIZADORA



AVISO

PURGA DE BOMBA

El funcionamiento de la bomba de una hidrolavadora sin agua dañará gravemente las juntas de la bomba y otros componentes internos. Para evitar este peligro, asegúrese de que el tanque de agua tenga suficiente agua para la aplicación. Nunca permita que el tanque se vacíe, ya que la bomba podría sufrir daños graves.



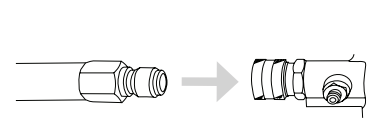
ADVERTENCIA:

LESIÓN POR INYECCIÓN

Las altas presiones creadas por una lavadora a presión pueden causar lesiones por inyección de líquido, laceraciones graves, amputaciones y/o la muerte. Para evitar estos peligros, siempre apunte la pistola rociadora y la lanza en una dirección segura cuando use una lavadora a presión y nunca intente tocar una fuga en una manguera o accesorio de alta presión.

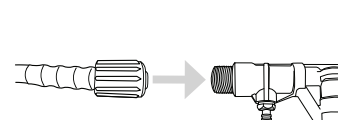
Una bomba de lavado a presión está diseñada para funcionar con agua fluyendo a través de ella. El agua lubrica y enfría los componentes internos de la bomba. Hacer funcionar una bomba de lavado a presión sin agua dañará gravemente los sellos de la bomba y otros componentes internos. Los daños causados por hacer funcionar una bomba de lavado a presión sin agua no están cubiertos por la garantía.

1. Mientras jala hacia atrás del collar de salida de la bomba, inserte el conector de la manguera y después suelte el collar. Jale suavemente la manguera para asegurarse que esté bloqueada.

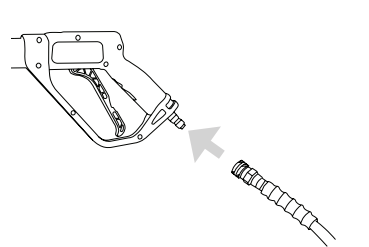


O

1. Enrosque el conector de la manguera de alta presión en la salida de alta presión de la bomba.

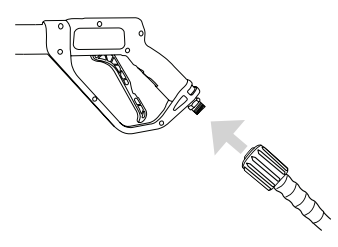


2. Mientras jala hacia atrás del collar de salida de la manguera, inserte el conector de la pistola y después suelte el collar. Jale suavemente la manguera para asegurarse que esté bloqueada.



O

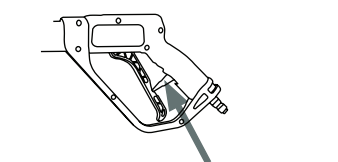
2. Enrosque el conector de la manguera de alta presión en la pistola rociadora.



3. Apunte la pistola rociadora en una dirección segura, después apriete y mantenga presionado el gatillo durante por lo menos 30 segundos o hasta que el agua fluya de manera constante y se purgue todo el aire de la bomba y las mangueras.

4. Revise las mangueras y conexiones respecto a fugas. Si se encuentran fugas, apague la máquina, apunte la pistola rociadora en una dirección segura y apriete el gatillo para aliviar cualquier presión acumulada en el sistema. Nunca intente tocar una fuga en una manguera o accesorio de alta presión. Nunca intente reparar una manguera de alta presión.

5. Enganche el bloqueo del gatillo.



BOQUILLAS

Selección de boquillas

Las boquillas suministradas con la lavadora a presión tienen patrones de rociado específicos diseñados para limpiar diferentes superficies. El uso de una boquilla incorrecta puede dañar las superficies. Consulte la siguiente tabla para seleccionar la boquilla correcta antes de usar la lavadora a presión. **NOTA:** La selección de boquillas incluidas puede variar según los modelos de lavadoras a presión.

Color	Usos	Surface
Rojo	Limpieza de puntos de superficies duras, sin pintar y áreas de alto alcance	Metal y hormigón sin pintar NO usar en madera.
Amarillo	Limpieza intensa de superficies sin pintar	Parrillas, entradas para vehículos, pasillos de concreto y ladrillo, bloque y estuco sin pintar
Verde	Boquilla de limpieza estándar para la mayoría de aplicaciones	Herramientas de jardín, aceras, muebles de jardín, revestimientos sin pintar, estuco, canaletas, aleros, superficies de concreto y ladrillo
Blanco	Limpieza de superficies pintadas o delicadas	Automóvil, camión, RV, marino, madera, ladrillo pintado, estuco pintado, vinilo y revestimiento pintado
Negro	Aplica soluciones de limpieza	Seguro en todas las superficies. Siempre verifique la compatibilidad de las soluciones de limpieza antes de su uso.



AVISO

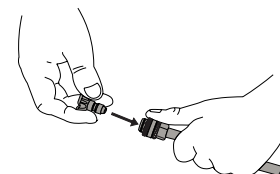
DAÑO POR ROCÍO

El rociado de alta presión puede dañar las plantas y otras superficies como madera, vidrio, pintura, calcomanías y terminaciones de automóviles, y objetos delicados. Para evitar causar daños, cubra las plantas antes de rociar cerca de ellas, consulte la tabla de Selección de boquillas en este manual para la selección correcta de boquillas y pruebe las superficies antes de rociar para asegurarse que sean lo suficientemente fuertes para resistir el rociado de alta presión.

Instalación de boquillas

Si el motor está funcionando, asegúrese que el bloqueo del gatillo esté en la posición bloqueada antes de retirar e instalar las boquillas.

Para colocar una boquilla en la varilla de rociado, jale el acoplador de conexión rápida hacia atrás, inserte la boquilla y luego suelte el acoplador para que vuelva a colocarse en su lugar. Una vez instalada, jale la boquilla para asegurarse que quede fija.



USO DE PRODUCTOS QUÍMICOS

(Si está equipado)

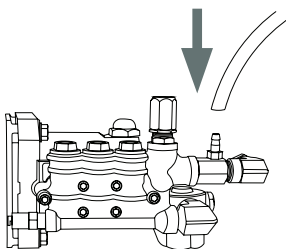


AVISO

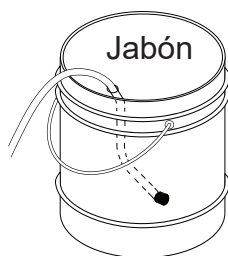
LÍQUIDOS VOLÁTILES

El lavado a presión con líquidos volátiles, inflamables o corrosivos podría causar daños, incendio o explosión en la lavadora a presión y provocar lesiones graves y/o la muerte. Para evitar estos peligros, use únicamente jabones y productos químicos aprobados, no intente lavar a presión con líquidos volátiles, inflamables o corrosivos y NUNCA use blanqueador.

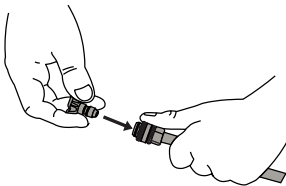
1. Conecte el extremo abierto de la manguera de jabón a la conexión de púas de la bomba.



2. Coloque el extremo filtrado de la manguera de jabón en un recipiente con jabón.



3. Si el motor está funcionando, asegúrese que el bloqueo del gatillo esté en la posición bloqueada antes de retirar e instalar las boquillas.



4. Inserte la boquilla negra en la varilla rociadora de acuerdo con la sección Instalación de boquilla de este manual. **NOTA:** Los jabones no se filtrarán si la boquilla de jabón negra no está instalada en la varilla rociadora.

5. Después de usar jabón, coloque el extremo filtrado de la manguera de jabón en un recipiente con agua limpia y opere la lavadora a presión extrayendo agua limpia a través de la manguera y la bomba hasta que el sistema esté completamente enjuagado. Si queda jabón u otros productos químicos en la bomba, la bomba podría dañarse. La garantía no cubre los daños a la bomba por residuos de jabón o químicos.

LISTA DE VERIFICACIÓN DE OPERACIÓN



ADVERTENCIA:

LISTA DE VERIFICACIÓN DE OPERACIÓN

Intentar arrancar el motor incorrectamente o usar la lavadora a presión incorrectamente puede resultar en daño al motor y/o lavadora a presión, y puede causar lesiones serias o la muerte. Para evitar estos peligros, asegúrese de leer, comprender y seguir los pasos descritos en la sección LISTA DE VERIFICACIÓN DE OPERACIÓN del manual del propietario antes de arrancar el motor, y siga todas las pautas para el uso adecuado de la lavadora a presión.

Ubicación

Coloque la lavadora a presión en una superficie nivelada en el exterior en un área bien ventilada antes de ponerla en operación. Mantenga todos los materiales inflamables por lo menos a cinco pies de distancia de todos los lados del producto.

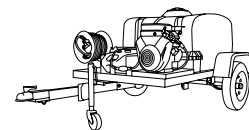
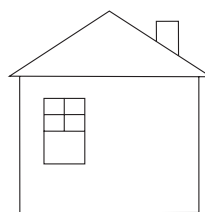
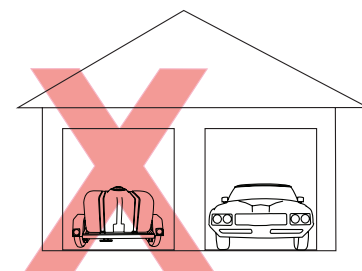
- Nunca use la lavadora a presión dentro de una casa, garaje o cualquier otro tipo de recinto, incluso si las puertas y ventanas están abiertas. Opere el motor en el exterior por lo menos a 20 pies (6 metros) de distancia de ventanas, puertas y ductos de ventilación. Considere cuidadosamente la dirección del viento y las corrientes de aire cuando utilice la lavadora a presión en exteriores para evitar respirar el escape del motor.
- Siguiendo las instrucciones y recomendaciones del fabricante, instale alarmas de monóxido de carbono que funcionen con baterías en cualquier edificio ocupado cerca del motor en funcionamiento.
- Si siente dolor de cabeza, náuseas, mareos, somnolencia o debilidad mientras la lavadora a presión está en operación, salga al aire libre y busque atención médica de inmediato.



ADVERTENCIA:

VAPORES TÓXICOS

El escape del motor contiene monóxido de carbono, un gas venenoso, inodoro e incoloro. Operar un motor en interiores lo matará en minutos. Nunca use este producto dentro de una casa, garaje o cualquier otro tipo de recinto, incluso si las puertas y ventanas están abiertas. Opere el motor en el exterior por lo menos a 20 pies (6 metros) de distancia de ventanas, puertas y ductos de ventilación. Considere cuidadosamente la dirección del viento y las corrientes de aire cuando utilice este producto al aire libre para evitar respirar el escape del motor. Siempre utilice un detector de monóxido de carbono en cualquier edificio ocupado cerca del motor en operación.



Operación a gran altitud

Este motor tendrá el desempeño adecuado del motor y el control de emisiones cuando se opere a una altitud de 5000 pies (1524 metros) o menos. Este motor requiere un juego de carburador de gran altitud para garantizar el desempeño adecuado del motor y el control de emisiones cuando se opera a altitudes superiores a 5000 pies (1524 metros). Operar la máquina con la configuración incorrecta del motor por encima de 5000 pies (1524 metros) puede aumentar sus emisiones, disminuir la eficiencia y el desempeño del combustible. Para obtener un juego de carburador para gran altitud, comuníquese con el centro de servicio autorizado más cercano.



AVISO

ALTITUD

Operar el motor con un juego de chorro de carburador para gran altitud a una altitud inferior a 5000 pies (1524 metros) hará que el motor se caliente demasiado. El sobrecalentamiento del motor puede provocar daños graves en el motor. Para evitar este peligro, asegúrese que esté instalado el juego de carburador correcto y que la mezcla de aire/combustible esté ajustada correctamente para su altitud.

Condiciones de operación

Antes de cada uso, verifique si hay piezas sueltas o dañadas, fugas y/o cualquier otra condición que pueda afectar la operación correcta. Repare o reemplace inmediatamente todas las piezas dañadas o defectuosas con piezas autorizadas. No utilice la máquina si faltan piezas, están rotas o no están autorizadas. Mantenga siempre todas las protecciones de seguridad en su lugar y en buen estado de operación. Por razones de seguridad, el fabricante recomienda que todo el mantenimiento y las reparaciones las realice un centro de servicio autorizado. Nunca anule las características de seguridad de este producto.

Antes de arrancar el motor, elimine el exceso de suciedad y escombros de las rejillas de ventilación, el escape y las áreas de retroceso del motor de arranque. Siempre opere la lavadora a presión en una superficie nivelada y nunca mueva ni incline la lavadora a presión mientras está en operación. Use la lavadora a presión sólo para el propósito para el que fue diseñada. Nunca tire de la manguera de suministro de agua ni de la manguera de alta presión para mover la lavadora a presión. Esto podría dañar la manguera, la entrada y/o la salida de la bomba. Si tiene preguntas sobre el uso adecuado de su lavadora a presión, comuníquese con el servicio de atención al cliente al 1-833-362-7368 o cservice@fna-group.com.



ADVERTENCIA:

NIÑOS Y ADULTOS SIN CAPACITACIÓN

No permita que los niños o adultos sin capacitación operen o jueguen con la lavadora a presión, ya que pueden sufrir lesiones graves o incluso morir. Cualquier persona que opere la lavadora a presión debe recibir las instrucciones adecuadas, comprender el funcionamiento seguro y leer detenidamente el manual del propietario antes de operar este producto. Mantenga a los niños y las mascotas alejados la lavadora a presión mientras esté en funcionamiento. Siempre apague la lavadora a presión antes de abandonar el área.



ADVERTENCIA:

REVISIÓN ANTES DE OPERACIÓN

No revisar este producto antes de su uso podría crear una situación peligrosa que resulte en daños al producto, lesiones graves y/o la muerte. Para evitar estos peligros, revise la lavadora a presión antes de cada uso. Verifique si hay partes sueltas o dañadas, señales de fugas de aceite o combustible, protecciones faltantes, ventilas de enfriamiento obstruidas, o cualquier otra condición que pueda afectar la operación adecuada. Repare o reemplace todas las partes dañadas o defectuosas con piezas autorizadas y mantenga todas las protecciones de seguridad en su lugar y en buenas condiciones de operación antes de usar la lavadora a presión.



PELIGRO:

DESCARGA ELÉCTRICA

El rociado dirigido a receptáculos o interruptores eléctricos, u objetos conectados a un circuito eléctrico, podría provocar una descarga eléctrica fatal. Dirija el rociado lejos de receptáculos, interruptores y equipos eléctricos. Nunca limpie ningún dispositivo eléctrico, incluso cuando esté desconectado, a menos que se indique claramente en su manual que dicha limpieza está aprobada.



PELIGRO:

RIESGO DE EXPLOSIÓN O INCENDIO

Operar la lavadora a presión en un entorno explosivo puede provocar un incendio. Opere y rellene el combustible del equipo en áreas bien ventiladas y libres de obstrucciones. Equipe las áreas con extintores de incendios adecuados para incendios de gasolina.



ADVERTENCIA:

RIESGO DE ESTALLIDO

Inflar los neumáticos en exceso podría causar lesiones graves y daños materiales. Use un manómetro para comprobar la presión de los neumáticos antes de cada uso y al inflarlos (si corresponde); consulte el lado del neumático para ver la presión correcta. El rociado a alta velocidad dirigido a las paredes laterales de los neumáticos (como los que se encuentran en automóviles, remolques y similares) podría dañar la pared lateral y provocar lesiones graves. En lavadoras a presión de más de 1600 psi (11032 kPa), use el rociador de abanico más ancho (boquilla de 40°) y mantenga el rociado a un mínimo de 8" (20cm) de la pared lateral de la llanta. No dirija el rocío directamente al talón entre la llanta y el rin.



ADVERTENCIA:

LESIÓN POR INYECCIÓN

Las altas presiones creadas por una lavadora a presión pueden causar lesiones por inyección de líquido en la carne humana y animal, laceraciones graves, amputaciones y/o la muerte. Para evitar estos peligros, siempre apunte la pistola rociadora y la lanza en una dirección segura cuando use una lavadora a presión y nunca intente tocar una fuga en una manguera o accesorio de alta presión. Nunca coloque las manos frente a la salida de descarga de la pistola rociadora. Nunca sujete la manguera o los accesorios durante el funcionamiento. Nunca coloque ni retire la pistola rociadora o los accesorios de la manguera mientras el sistema esté presurizado. Nunca apunte la pistola rociadora hacia personas o animales ni rocíe con ella. ¡NO TRATE LA INYECCIÓN DE LÍQUIDO COMO UNA SIMPLE CORTE! ¡Consulte a un médico de inmediato!



PRECAUCION: SUPERFICIES CALIENTES

Un motor en operación produce calor. Las superficies del motor, otros componentes relacionados y los gases de escape del motor se calientan lo suficiente como para provocar quemaduras moderadas o encender materiales al entrar en contacto (como revestimientos, plástico, hule, vinilo o la propia manguera de alta presión) y dañar las plantas vivas. Para evitar quemaduras, no toque las superficies del motor, el silenciador ni los gases de escape mientras esté en funcionamiento y deje que el motor se enfríe por completo antes de moverlo, tocarlo o realizar cualquier tarea de mantenimiento. Para evitar un incendio, mantenga todos los materiales inflamables al menos a cinco pies de distancia de todos los lados del producto. Nunca cubra la lavadora a presión durante el funcionamiento o directamente después de su uso.



ADVERTENCIA: PARTES MÓVILES

Este producto tiene muchas partes que se mueven a altas velocidades. Las partes móviles pueden causar lesiones por aplastamiento, fracturas, laceraciones severas, y/o amputaciones traumáticas. Para evitar lesiones, nunca coloque los dedos, manos, pies, u otras partes del cuerpo cerca del motor en operación. Nunca opere el productor con las cubiertas, aros de refuerzo u otras protecciones retirados. No use ropa holgada, cordones que cuelguen, o cualquier otro artículo que cuelgue que se pudiera enredar en las partes móviles durante la operación. Ate el cabello largo y quítese las joyas antes de operar.

Verificación de aceite del motor



AVISO

LLENE DE ACEITE ANTES DE USAR

El motor se envía de fábrica sin aceite. Operar el motor sin aceite resultará en daños severos al motor y anulará la garantía. Para evitar dañar el motor y anular la garantía, llene el motor con el tipo de aceite recomendado antes de arrancar.



AVISO

USE ACEITE DE MOTOR CORRECTO

El aceite es un factor importante en el desempeño y la vida útil de cualquier motor. El uso de aceite incorrecto puede dañar el motor y anular la garantía. Para evitar dañar el motor y anular la garantía, revise y cambie el aceite conforme sea necesario utilizando el aceite de motor correcto.



AVISO

SENSOR DE ACEITE BAJO

El sensor de bajo nivel de aceite (si está equipado) detendrá automáticamente el motor cuando el nivel de aceite caiga por debajo del límite de seguridad. Para evitar un paro inesperado, verifique el nivel de aceite antes de cada uso, llene hasta el límite superior y siempre opere el motor en una superficie nivelada.

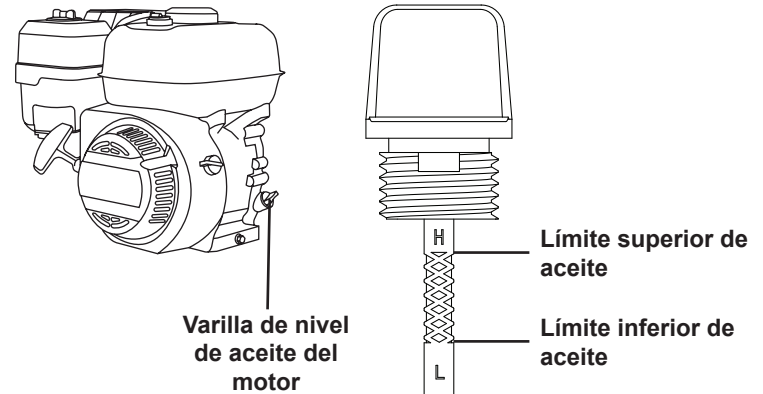


PRECAUCION: ACEITE CALIENTE

El aceite caliente puede provocar quemaduras graves. Para evitar quemarse al cambiar o revisar el aceite del motor, use guantes adecuados y cambie el aceite cuando el motor esté tibio pero no caliente.

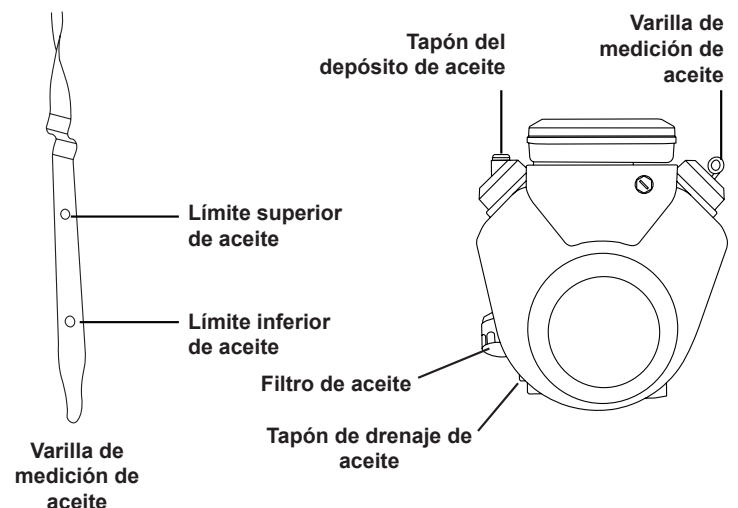
Motor monocilíndrico

1. Verifique el aceite con el remolque nivelado y el motor apagado.
2. Desenrosque la varilla medidora de aceite del motor y extráigala, luego limpie la varilla medidora.
3. Coloque la varilla medidora limpia en el cuello de llenado, pero no la enrosque; déjela apoyada en el cuello de llenado.
4. Retire la varilla medidora del cuello de llenado y verifique el nivel de aceite. El nivel de aceite debe estar en el límite superior de aceite de la varilla medidora.
5. Si el nivel es bajo, agregue el aceite recomendado al cárter hasta que el nivel alcance el límite superior de la varilla medidora. Consulte el manual del motor para conocer el aceite recomendado.
6. Instale la varilla medidora y apriete la tapa enroscándola en el cuello de llenado.



Motor de dos cilindros

1. Verifique el aceite con el remolque nivelado y el motor apagado.
2. Retire la varilla medidora de aceite; límpiela con una toalla de papel.
3. Inserte completamente la varilla medidora limpia en el pico.
4. Retire la varilla medidora. El nivel de aceite debe estar en la marca de lleno o alto, pero no por encima.
5. Si el nivel de aceite es bajo, agregue el aceite recomendado al cárter hasta que el nivel alcance la marca de lleno o alto en la varilla medidora. Consulte el manual del motor para conocer el aceite recomendado.
6. Vuelva a colocar la varilla medidora completamente en el pico.



Revisión de combustible



AVISO

GASOLINA VIEJA

La gasolina vieja puede crear depósitos que obstruyan los sistemas de combustible y dificulten el arranque y desempeño deficiente. Los daños causados por combustible viejo no están cubiertos por la garantía. Para minimizar los depósitos, evitar problemas de desempeño relacionados con el combustible antiguo y evitar costosos trabajos de reparación, no utilice gasolina con una antigüedad superior a 30 días.



ADVERTENCIA: ABASTECIMIENTO DE COMBUSTIBLE

La gasolina es altamente inflamable y sus vapores son extremadamente explosivos. Los incendios y explosiones pueden causar quemaduras graves y/o la muerte. Mantenga la gasolina alejada de llamas, chispas y otras fuentes de ignición. Rellene el combustible al aire libre en un área bien ventilada con el motor parado y frío. Limpie la gasolina derramada y deje que el motor se seque antes de arrancar. Mantenga un extintor de incendios a mano mientras recarga combustible. No opere el motor con fugas en el sistema de combustible. No almacene gasolina cerca de otros materiales inflamables. Almacene el combustible en un recipiente limpio aprobado por OSHA, en un lugar seguro lejos del área de trabajo.



AVISO

MEZCLAS DE ALCOHOL

El uso de gasolina con una mezcla de alcohol superior al 10% (E10) dañará el motor. Los daños causados por el uso de una mezcla de alcohol del 15% (E15), 85% (E85) o cualquier otra mezcla de alcohol superior al 10% (E10) no están cubiertos por la garantía. Para evitar daños en el motor causados por una mezcla de alcohol demasiado alta, use gasolina con un 10% de alcohol (E10) o menos.



AVISO

ADITIVOS DE GASOLINA

El uso de aditivos de limpieza del sistema de combustible puede dañar el motor y los sistemas de combustible. Los daños causados por el uso de aditivos de limpieza del sistema de combustible no están cubiertos por la garantía. Para evitar daños al motor y al sistema de combustible, no utilice aditivos de limpieza del sistema de combustible.



AVISO

ALMACENAMIENTO DE GASOLINA

Es importante evitar que se formen depósitos de hule en las partes esenciales del sistema de combustible, como el carburador, el filtro de combustible, la manguera de combustible o el tanque durante el almacenamiento. Los combustibles mezclados con alcohol (también llamados gasohol, etanol o metanol) atraen la humedad, lo que conduce a la separación y formación de ácidos durante el almacenamiento. Los depósitos de combustible ácido y goma pueden dañar el sistema de combustible del motor mientras está almacenado. Los daños causados por el uso de combustible viejo, rancio o contaminado no están cubiertos por la garantía.



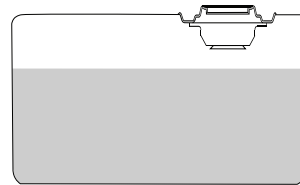
AVISO

NO LLENE DEMASIADO EL TANQUE DE COMBUSTIBLE

El llenado excesivo del tanque de combustible puede provocar daños en el cartucho de carbón (si está equipado), un desempeño deficiente del motor y anular la garantía. Para evitar estos peligros, no llene el tanque de combustible por encima del nivel máximo.

Motor monocilíndrico

1. Verifique el combustible con el motor apagado y el remolque nivelado.
2. Retire la tapa del tanque de combustible, verifique el nivel de combustible y luego llene el tanque de combustible si es necesario. Para conocer la ubicación de la tapa de combustible, consulte la sección UBICACIÓN DE LOS COMPONENTES de este manual.
3. No llene el tanque de combustible por encima del nivel máximo de combustible para dejar espacio para la expansión del combustible. Para conocer la capacidad de combustible, consulte la sección de especificaciones del manual del motor.
4. No utilice gasolina que tenga más de 30 días. Utilice únicamente gasolina regular sin plomo, limpia y fresca, con un octanaje mínimo de 87. No mezcle aceite con gasolina. No utilice gasolina que contenga más del 10% de alcohol etílico. E15, E20 y E85 no son combustibles aprobados y no deben usarse.
5. Vuelva a colocar la tapa del tanque de combustible. Nunca haga funcionar el motor sin la tapa de combustible instalada.



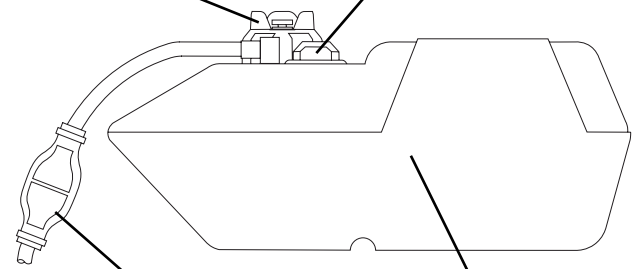
Nivel máximo de combustible

Motor de dos cilindros

1. Retire el tapón de llenado de combustible y luego proceda a llenar el tanque hasta que el indicador alcance la marca LLENO. No utilice gasolina que tenga más de 30 días. Utilice únicamente gasolina regular sin plomo, limpia y fresca, con un octanaje mínimo de 87. No mezcle aceite con gasolina. No utilice gasolina que contenga más del 10% de alcohol etílico. E15, E20 y E85 no son combustibles aprobados y no deben usarse.
2. Coloque la tapa de llenado nuevamente en la boquilla y enrosque la tapa con la mano hasta que quede ajustada.
3. Utilice la pera de cebado para bombear gasolina al motor. Arrancar el motor sin cebar la línea de combustible hará que el motor no arranque rápidamente, lo que provocará posibles daños en el arranque debido a un arranque excesivo.

Tapón de llenado de combustible

Indicador de combustible



Bombilla de imprimación

Depósito de combustible

NOTA: El uso de un estabilizador de combustible (se vende por separado) al almacenar gasolina puede ayudar a prevenir problemas relacionados con el almacenamiento de gasolina mezclada con etanol y alcohol. Siga siempre las instrucciones proporcionadas por el fabricante del estabilizador de combustible para mezclar y usar correctamente.

ARRANQUE DEL MOTOR



ADVERTENCIA: LISTA DE VERIFICACIÓN DE OPERACIÓN

Intentar arrancar el motor incorrectamente o usar la lavadora a presión incorrectamente puede resultar en daño al motor y/o lavadora a presión, y puede causar lesiones serias o la muerte. Para evitar estos peligros, asegúrese de leer, comprender y seguir los pasos descritos en la sección LISTA DE VERIFICACIÓN DE OPERACIÓN del manual del propietario antes de arrancar el motor, y siga todas las pautas para el uso adecuado de la lavadora a presión.



AVISO DAÑO DE LA BOMBA

Operar la lavadora a presión durante más de dos minutos sin apretar el gatillo de la pistola rociadora sobrecalentará la bomba y posiblemente causará daños. La válvula de alivio térmico se abrirá y rociará agua para ayudar a enfriar la bomba a medida que se sobrecalienta. Nunca altere la válvula de alivio térmico. Para evitar el sobrecalentamiento de la bomba, apague el motor si no la va a utilizar durante más de dos minutos.

Arranque del motor (motor monocilíndrico)

1. Complete los pasos de las secciones LISTA DE VERIFICACIÓN DE FUNCIONAMIENTO Y PREPARACIÓN DEL MOTOR de este manual antes de arrancar el motor. De lo contrario, podría causar daños a la bomba o al motor. Si es necesario, consulte el manual del propietario del motor para obtener instrucciones de arranque específicas.

El tanque de agua debe llenarse con agua y el conjunto de pistola/lanza debe estar conectado a la manguera de alta presión. Si está equipado, coloque la válvula del tanque en la posición ABIERTA.

2. Gire el interruptor del motor a la posición ON.



3. Gire la válvula de combustible a la posición ON (si está equipado).



4. Deslice el acelerador a la posición CORRER (si está equipado).

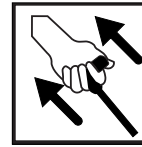


5. Si está equipado, deslice el estrangulador a CHOKE para arrancar un motor FRÍO. Deslice a RUN para un motor CALIENTE.



NOTA: La posición de arranque del estrangulador variará de acuerdo con la temperatura del motor. Si arranca un motor frío, mueva la palanca del estrangulador hacia la posición CHOKE. Si arranca un motor caliente, mueva la palanca del estrangulador hacia la posición RUN.

6A. **(Arranque manual)** Jale el retroceso lentamente hasta sentir resistencia, luego tire rápidamente para arrancar el motor. No permita que la agarradera de arranque vuelva a su posición. Lentamente, colóquela nuevamente en posición en forma manual.



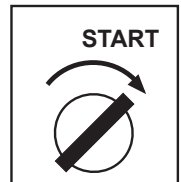
NOTA: Si el motor no arranca después de dos tirones, apriete el gatillo de la pistola para liberar la presión almacenada. Luego, intente nuevamente arrancar el motor.



ADVERTENCIA: RETRACCIÓN RÁPIDA

La retracción rápida (también conocida como contragolpe) del cable de arranque de retroceso del motor tirará de su mano y brazo hacia el motor más rápido de lo que puede soltar el mango, lo que provocará esguinces, fracturas de huesos, laceraciones y/o amputaciones traumáticas. El contragolpe a menudo es causado por fallas internas del motor y/o técnicas de arranque incorrectas. Para evitar el contragolpe, siga el programa de mantenimiento apropiado, las instrucciones de arranque y haga que un centro de servicio autorizado realice el trabajo de reparación.

6B. **(Arranque eléctrico)** Gire la llave más allá de la posición ON a la posición START. Permita que el motor arranque. Si el motor no arranca después de 5 segundos. Suelte la llave y deje que el motor de arranque se enfríe durante un minuto.



Una vez que el motor haya arrancado, permite que la llave regrese a la posición ON.



ADVERTENCIA: DAÑO EN EL ARRANQUE

No intente hacer girar continuamente el motor durante más de cinco segundos a la vez. Si el motor no arranca, deje que el motor de arranque se enfríe durante un minuto antes de intentar volver a arrancar el motor. Intentar continuamente arrancar el motor dañará el motor de arranque.

7. Una vez que el motor arranca, mueva lentamente la palanca del estrangulador a la RUN mientras el motor se calienta. Si el motor titubea, mueva la palanca del estrangulador hacia la posición CHOKE hasta que el motor se caliente (si está equipado).



8. Permita que el motor se caliente durante 1-2 minutos antes de usar el producto, apretando ocasionalmente el gatillo de la pistola rociadora para permitir que el agua fluya a través de la bomba y evitar el sobrecalentamiento y causar daños a la bomba.

NOTA: Siempre asegure el bloqueo del gatillo cuando la pistola rociadora no esté en uso para evitar una operación accidental. Nunca asegure permanentemente el gatillo en la posición de retroceso (abierto).

Arranque del motor (motor de dos cilindros)

1. Complete los pasos de las secciones LISTA DE VERIFICACIÓN DE FUNCIONAMIENTO Y PREPARACIÓN DEL MOTOR de este manual antes de arrancar el motor. De lo contrario, podría causar daños a la bomba o al motor. Si es necesario, consulte el manual del propietario del motor para obtener instrucciones de arranque específicas.

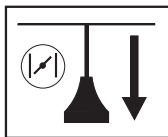
El tanque de agua debe llenarse con agua y el conjunto de pistola/lanza debe estar conectado a la manguera de alta presión. Si está equipado, coloque la válvula del tanque en la posición ABIERTA.

2. Cebe la línea de combustible como se describe en la sección VERIFICACIÓN DEL COMBUSTIBLE de este manual.

3. Deslice el acelerador a la posición CORRER (si está equipado).

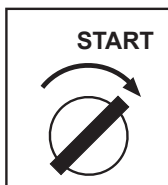


4. Saque el estrangulador para arrancar un motor FRÍO. Empuje hacia adentro para obtener un motor CALIENTE (si está equipado).



NOTA: La posición de arranque del estrangulador variará de acuerdo con la temperatura del motor. Si arranca un motor frío, mueva la palanca del estrangulador hacia la posición CHOKE. Si arranca un motor caliente, mueva la palanca del estrangulador hacia la posición RUN.

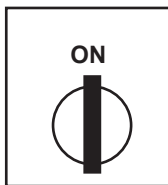
5. Gire la llave más allá de la posición ON a la posición START. Permita que el motor arranque. Si el motor no arranca después de 5 segundos. Suelte la llave y deje que el motor de arranque se enfríe durante un minuto.



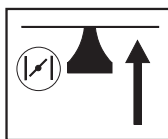
ADVERTENCIA: DAÑO EN EL ARRANQUE

No intente hacer girar continuamente el motor durante más de cinco segundos a la vez. Si el motor no arranca, deje que el motor de arranque se enfríe durante un minuto antes de intentar volver a arrancar el motor. Intentar continuamente arrancar el motor dañará el motor de arranque.

6. Una vez que el motor haya arrancado, permita que la llave regrese a la posición ON.



7. Si está equipado, empuje lentamente la palanca del estrangulador mientras el motor se calienta. Si el motor falla, retire el estrangulador hasta que el motor se haya calentado.



8. Permita que el motor se caliente durante 1-2 minutos antes de usar el producto, apretando ocasionalmente el gatillo de la pistola rociadora para permitir que el agua fluya a través de la bomba y evitar el sobrecalentamiento y causar daños a la bomba.

NOTA: Siempre asegure el bloqueo del gatillo cuando la pistola rociadora no esté en uso para evitar una operación accidental. Nunca asegure permanentemente el gatillo en la posición de retroceso (abierto).

APAGAR EL SISTEMA



AVISO

DAÑO DE LA BOMBA

Cerrar el suministro de agua a su bomba con el motor en operación dañará la bomba. Los daños causados por operar la bomba sin agua no están cubiertos por la garantía. Para evitar este peligro, apague siempre el motor antes de cerrar el suministro de agua.

1. Coloque el bloqueo del gatillo en la pistola rociadora.
2. Deslice el acelerador a la posición LENTA (si está equipado).
3. Gire el interruptor del motor a la posición OFF.
4. Gire la válvula de combustible a la posición OFF (si está equipado).
5. Suelte el seguro del gatillo y apriete el gatillo de la pistola pulverizadora para liberar la presión de la manguera y la bomba. Desconecte la pistola de la manguera de alta presión y guárdela correctamente antes de mover el remolque.
6. Gire la válvula del tanque a CERRADO (si está equipado).
7. Vuelva a enrollar la manguera de alta presión en el carretel de manguera.
8. Deje que el motor se enfríe completamente antes de manipularlo y almacenarlo.

CONSEJOS DE OPERACIÓN

Términos

- PSI - Libras por pulgada cuadrada (PSI) es la unidad para medir la presión del agua. En relación con una lavadora a presión, cuanto mayor sea el número de PSI, mayor será la presión y el potencia de extracción producidos.
- GPM - Galones por minuto (GPM) es el caudal de agua. En relación a una lavadora a presión, cuanto mayor sea el GPM, mayor será el caudal o potencia de enjuague producida.
- CU - Las unidades de limpieza expresan la eficiencia de la lavadora a presión. Las unidades de limpieza se calculan multiplicando el PSI por el GPM. Cuanto mayor sea la CU, será más eficiente la lavadora a presión.

Preparación

- Lea todas las advertencias e instrucciones en éste y todos los manuales que vienen con la lavadora a presión.
- Retire todos los juguetes, bicicletas, muebles de jardín, etc. del área de trabajo si no se van a limpiar.
- Barra la suciedad suelta y los escombros de la superficie que lavará a presión.
- Cubra las plantas cercanas para evitar dañarlas con el rociador de agua a presión.
- Tenga cuidado al rociar ventanas. Utilice siempre la boquilla blanca de 40° y manténgase por lo menos a 4 pies de distancia.
- Coloque lonas para recoger los pedazos de pintura y otros desechos que se desprendan con el rocío. Las pinturas exteriores usadas antes de 1977 pueden contener plomo y producirán astillas que deberán recolectarse y desecharse en una instalación de desechos peligrosos.
- Para minimizar la infiltración de agua al motor de la lavadora a presión, ubique la lavadora a presión lo más lejos posible del sitio de limpieza durante la operación.

Lavado a presión

- Un rociado más ancho equivale a una limpieza más rápida, mientras que un rociado más apretado equivale a una limpieza más profunda.
- Mantenga la boquilla a unos 4 pies de distancia del revestimiento para evitar daños.
- Comience a lavar el revestimiento en la parte inferior y avance hacia arriba, luego enjuague de arriba hacia abajo.
- Evite que el agua suba detrás del revestimiento.
- Utilice pasadas superpuestas para una limpieza uniforme.
- Trabaje en áreas pequeñas para evitar que el jabón se seque.
- No apunte la boquilla directamente a la superficie. Sostenga la varita en un ángulo de 45° con respecto a la superficie a una distancia que limpie bien sin causar daños.

Ajuste de la presión de la superficie

- Aléjese de la superficie a limpiar. Cuanto más lejos coloque la boquilla de la superficie a limpiar, menor será la presión para llegar a la superficie.
- Cambie a la boquilla blanca de 40°. Esta boquilla produce un rociado de menor presión y mayor ancho.

Ajuste de perilla de control manual de descarga para ajustar la presión *(si está equipado)*

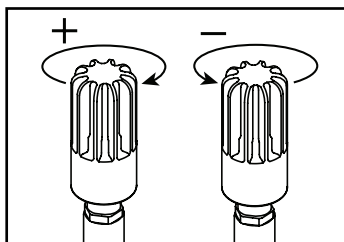
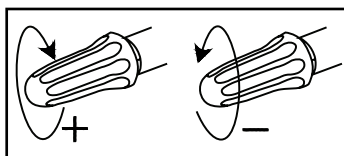


ADVERTENCIA: ALTA PRESIÓN

No retire la perilla de control manual de descarga. No apriete demasiado la perilla de control manual de descarga. Ajustar demasiado la perilla más allá del tope incorporado puede provocar lesiones graves, la ruptura de la perilla o reparaciones costosas. No intente aumentar la presión más allá de la presión preestablecida de fábrica.

La configuración de presión más alta se preestablece en la fábrica para lograr la presión óptima para la limpieza. Si necesita reducir la presión, su unidad podría estar equipada con una perilla de control manual de descarga que le permite ajustarla. El estilo de la perilla de control manual de descarga puede ser diferente al de la imagen que se muestra a continuación.

- Si está equipada con una perilla de control manual de descarga, reduzca la presión girándola en sentido contrario a las manecillas del reloj hasta alcanzar la presión deseada.
- Gire la perilla de control manual de descarga en sentido de las manecillas del reloj hasta que se detenga para volver a la presión máxima preestablecida de fábrica.



SOLUCIÓN DE PROBLEMAS

PROBLEMA	CAUSA POSIBLE	SOLUCIÓN
El motor no arranca. Consulte el Manual de propietario del motor para obtener más información sobre la solución de problemas del motor.	El tanque de combustible está vacío	Agregue combustible nuevo.
	La presión del agua en la bomba impide que el motor gire.	Apunte la pistola rociadora en una dirección segura y apriete el gatillo para liberar la presión del agua en la bomba.
	El estrangulador del motor está en la posición incorrecta.	Consulte la sección ARRANQUE DEL MOTOR de este manual para conocer la posición correcta del estrangulador.
	El cable de la bujía no está conectado a la bujía.	Conecte el cable de la bujía.
	El interruptor del motor está en la posición OFF.	Gire el interruptor del motor a la posición ON.
	La válvula de combustible del motor está OFF.	Encienda la válvula de combustible.
	El aceite del motor está bajo. Si el motor está equipado con un sensor de bajo nivel de aceite, el motor no arrancará.	Revise el nivel de aceite del motor. Llene conforme al manual del motor.
La lavadora a presión genera poca o ninguna presión de agua.	Hay aire atrapado en la bomba y/o las mangueras.	Consulte la sección PURGA DE LA BOMBA de este manual para eliminar el aire de la bomba y las mangueras.
	La fuente de agua es insuficiente.	Asegúrese que la fuente de agua pueda suministrar por lo menos 5 GPM a 20 PSI.
	La boquilla está obstruida.	Limpie la boquilla de acuerdo con la sección MANTENIMIENTO de este manual.
	La rejilla de entrada de agua está obstruida.	Limpie la pantalla de entrada de agua conforme a la sección MANTENIMIENTO de este manual.
Filtración de agua en la conexión pistola/varillas pulverizadoras	Anillo "O" roto o desgastado.	Verifique y cambie.
	Conexión de la manguera rota.	Ajuste.

PROBLEMA	CAUSA POSIBLE	SOLUCIÓN
La lavadora a presión genera poca o ninguna presión de agua, <i>cont.</i>	La manguera de alta presión es demasiado larga.	La manguera de alta presión debe tener menos de 100 pies de longitud.
	El estrangulador del motor está en la posición CHOKE.	Mueva el estrangulador del motor a la posición RUN.
No succionará detergente.	Acumulación de productos químicos en el inyector de productos químicos.	Comuníquese con el servicio de atención al cliente al 1-833-362-7368 o al cservice@fna-group.com
	La varilla rociadora no está en baja presión.	Inserte la boquilla negra de "jabón".
	Filtro de detergente obstruido.	Limpie el filtro.
	El filtro de detergente no está sumergido en el detergente.	Asegúrese que el extremo del filtro de la manguera del sifón de detergente esté completamente sumergido en el detergente.
	El detergente es demasiado espeso.	Detergente diluido. El detergente debe tener la misma consistencia que el agua.
	La manguera de alta presión es demasiado larga.	Alargue la manguera de suministro de agua y acorte la manguera de alta presión.
	El detergente se seca dentro del inyector de detergente.	Comuníquese con el servicio de atención al cliente al 1-833-362-7368 o al cservice@fna-group.com
Fuga de agua en la bomba.	Conexiones sueltas.	Apriete las conexiones.
	Anillo "O" desgastado o roto.	Verifique y reemplace.
	Empaque del pistón desgastado.	Comuníquese con el servicio de atención al cliente al 1-833-362-7368 o al cservice@fna-group.com
	Cabezal de bomba o tubos dañados por congelamiento.	
La bomba o la boquilla pulsa.	Boquilla obstruida.	Limpie la boquilla de acuerdo con la sección MANTENIMIENTO de este manual.
Fuga de aceite de la bomba.	Tapón de drenaje suelto.	Apriete.
	Anillo "O" del tapón de drenaje desgastado.	Verifique y reemplace.
	Anillo "O" del tapón de llenado desgastado.	Verifique la cantidad correcta.
	Bomba de aceite llena en exceso.	

PROBLEMA	CAUSA POSIBLE	SOLUCIÓN
Fuga de aceite de la bomba <i>cont.</i>	Aceite incorrecto utilizado.	Drene y llene con el tipo y la cantidad correctos de aceite.
	El tapón de ventilación está obstruido.	Limpie el tapón de ventilación; sople aire a través de la ventilación para eliminar el bloqueo. Si el problema persiste, reemplace el tapón.
	Sellos de aceite desgastados.	Contact customer service at 1-833-362-7368 or at cservice@fna-group.com
La función de inicio electrónico no funciona (si está equipada).	La batería no está cargada.	Conecte los cables positivo y negativo de la batería.
	Cables positivo y negativo de la batería desconectados.	Póngase en contacto con servicio al cliente al 1-833-362-7368

Para obtener ayuda adicional o encontrar su centro de servicio autorizado local, llame al 1-833-362-7368 o envíe un correo electrónico a cservice@fna-group.com.

MANTENIMIENTO



ADVERTENCIA: CHOQUE ELÉCTRICO

Retire siempre el cable negro negativo (-) de la batería primero y siempre conecte el cable negro negativo (-) de la batería al final (si está equipado).

Por razones de seguridad, el fabricante recomienda que todos los servicios y reparaciones de la lavadora a presión sean realizados por un centro de servicio autorizado. Todos los reemplazos o reparaciones bajo garantía deben ser realizados por un centro de distribución o servicio autorizado. Para encontrar un centro de servicio autorizado cerca de usted, hacer un reclamo de garantía u obtener una reparación de garantía autorizada, llame al 1-833-362-7368 o envíe un correo electrónico a cservice@fna-group.com.

Es responsabilidad del propietario y/o del operador completar todo el mantenimiento programado antes de operar la lavadora a presión. Asegúrese de seguir las recomendaciones de inspección y mantenimiento que se enumeran en todos los manuales que acompañan a esta unidad.

Mantenimiento

Antes de cada uso, revise la lavadora a presión respecto a fugas, piezas sueltas o dañadas y cualquier otra condición que pueda afectar la operación correcta. Asegúrese que todas las protecciones de seguridad estén en su lugar y en buenas condiciones de operación. Revise todas las rejillas de ventilación y las ranuras de enfriamiento para asegurarse que estén limpias y sin obstrucciones. Repare o reemplace todas las piezas dañadas o defectuosas con piezas autorizadas de inmediato. Por razones de seguridad, el fabricante recomienda que todos los servicios y reparaciones de la lavadora a presión sean realizados por un centro de servicio autorizado. Nunca intente reparar una manguera de alta presión.



ADVERTENCIA: RIESGO DE QUEMADURAS

Al realizar el mantenimiento, puede estar expuesto a superficies calientes, presión de agua o piezas móviles que pueden causar lesiones graves o la muerte.



ADVERTENCIA: RIESGO DE INCENDIO

Desconecte siempre el cable de la bujía, deje que el motor se enfríe y libere toda la presión del agua antes de realizar cualquier mantenimiento o reparación. Pueden producirse lesiones si no se reduce la presión del sistema antes de intentar realizar el mantenimiento o el desmontaje. El motor contiene combustible inflamable. No fume ni trabaje cerca de llamas abiertas mientras realiza el mantenimiento.



ADVERTENCIA: LESIONES POR MODIFICACIÓN

Nunca modifique el producto ni ninguna de sus piezas. Podrían producirse daños o lesiones personales.

Limpeza de lavadora a presión

Siempre limpie la lavadora a presión con el motor apagado y frío. Para limpiar la lavadora a presión, primero use un compresor de aire ajustado a no más de 25 PSI para limpiar la suciedad y los escombros de las superficies, las rejillas de ventilación y las ranuras de enfriamiento de la lavadora a presión. Después, limpie el exterior con un paño húmedo.



AVISO

LIMPIEZA

El agua puede dañar los componentes del motor de la lavadora a presión si se deja entrar a través de las ranuras de enfriamiento u otros orificios. Los daños causados por la entrada de agua no están cubiertos por la garantía. Para evitar daños por agua en el motor, no use una lavadora a presión, manguera de jardín o cualquier otra fuente de agua corriente para limpiar el motor de la lavadora a presión, y nunca sumerja el motor de la lavadora a presión en ningún líquido.



AVISO

LIMPIADORES QUÍMICOS

El uso de limpiadores químicos y/o líquidos corrosivos puede dañar los sellos de la lavadora a presión y componentes internos. Daños causados por limpiadores químicos y líquidos corrosivos no están cubiertos por la garantía. Para evitar estos peligros, utilice únicamente productos de limpieza aprobados, nunca use blanqueador y siempre deje correr agua limpia a través de la lavadora a presión después de usar productos químicos de limpieza.

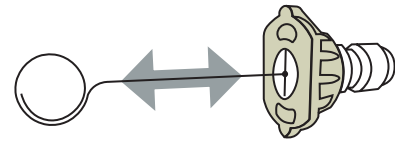
Conexiones

Las conexiones de la manguera, la pistola rociadora y la bomba deben limpiarse y lubricarse con una capa delgada de grasa de litio con regularidad para evitar daños y fugas en los anillos O.

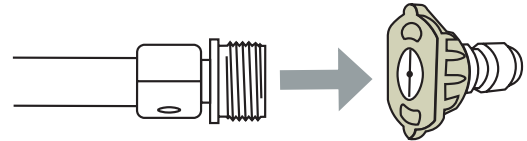
Limpeza de boquillas

Si una boquilla se obstruye, la bomba puede vibrar y los patrones de rociado pueden cambiar. Si no se limpia la boquilla, se puede desarrollar una presión excesiva que posiblemente dañe la bomba u otros accesorios. Revise las boquillas antes de usarlas y siga las instrucciones de esta sección para el procedimiento de limpieza de las boquillas adecuado.

1. Apague la lavadora a presión.
2. Cierre el suministro de agua.
3. Apunte la pistola rociadora en una dirección segura y apriete el gatillo para aliviar la presión del agua.
4. Ajuste el bloqueo del gatillo.
5. Retire la boquilla del conector rápido de la lanza.
6. Elimine cualquier obstrucción de la boquilla insertando la herramienta de limpieza de boquillas incluida.

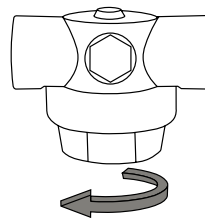


7. Enjuague cualquier residuo suelto de la boquilla dirigiendo una manguera de jardín en funcionamiento hacia la salida de la boquilla durante por lo menos 30 segundos.

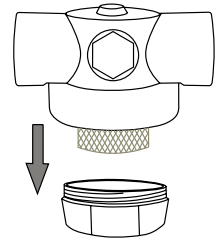


Filtro de entrada de agua (si está equipado)

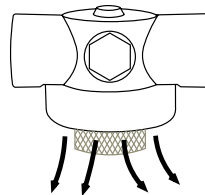
Antes de cada uso, revise el filtro de entrada y límpielo siguiendo los pasos a continuación. Nunca opere la lavadora a presión sin el filtro de entrada instalado correctamente.



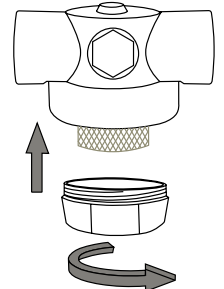
1. Con la válvula del tanque cerrada, desenrosque la tapa de la carcasa en la parte inferior del filtro de agua.



2. Retire cualquier residuo alrededor de la pantalla de malla, dentro de la carcasa y la cubierta.



3. Abra la válvula del tanque durante unos segundos para eliminar cualquier residuo de la manguera del tanque.

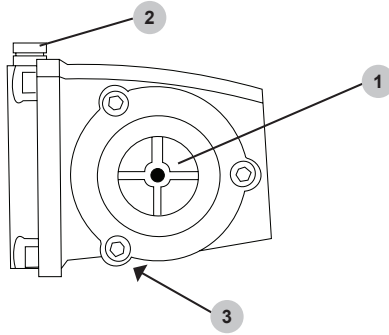


4. Enrosque la tapa de la carcasa en la parte inferior de la carcasa del filtro de agua; apriete la cubierta con la mano.

Mantenimiento de la bomba

Nota: La bomba se llenó de aceite en la fábrica. El aceite preferido es el aceite de cárter de bomba premium CAT o SIMPSON®. Si este aceite no está disponible, se puede usar aceite SAE 15W-40. Cambie el aceite después de las primeras 50 horas de operación y cada 100 horas a partir de entonces o cada 3 meses.

1. Mirilla de aceite
2. Tapón de llenado de aceite / tapón de ventilación
3. Tapón de drenaje de aceite (no se muestra)



Cómo cambiar el aceite de la bomba

1. Afloje el tapón de llenado / tapa de ventilación de aceite de la bomba.
 2. Coloque un recipiente debajo del tapón de drenaje de aceite.
 3. Retire el tapón de drenaje de aceite.
 4. Después de que se haya drenado el aceite, inserte el tapón de drenaje de aceite; apriete firmemente.
 5. Para bombas AAA™, rellene con aceite de cárter de bomba premium SIMPSON®. Si este aceite no está disponible, se puede usar aceite SAE 15W-40. Para CAT Pumps®***, rellene con aceite hidráulico no detergente (ISO68).
 6. Asegúrese que el nivel de aceite alcance, pero no exceda, el punto en el centro de la mirilla.
 7. Inserte el tapón de llenado de aceite; apriete firmemente.
- *** CAT Pumps® es una marca registrada de Diversified Dynamics Corporation.

Mantenimiento del motor

Antes de cada uso, revise el motor en busca de piezas sueltas o dañadas, signos de fugas de aceite o combustible y/o cualquier otra condición que pueda afectar la operación correcta. Mantenga siempre todas las protecciones de seguridad en su lugar y en buen estado de operación. Repare o reemplace todas las partes dañadas o defectuosas inmediatamente.

Por razones de seguridad, el fabricante recomienda que todos los servicios y reparaciones del motor (incluyendo los dispositivos y sistemas de control de emisiones) sean realizados por un centro de servicio autorizado. Todos los reemplazos o reparaciones bajo garantía deben ser realizados por un centro de distribución o servicio autorizado. Para encontrar un centro de servicio autorizado cerca de usted, obtener información sobre cómo hacer un reclamo de garantía o hacer arreglos para reparaciones de garantía autorizadas, llame al 1-833-362-7368 o envíe un correo electrónico a cservice@fna-group.com.

Para cualquier otra información sobre el mantenimiento del motor, consulte el manual del motor.

ALMACENAMIENTO Y TRANSPORTE

Almacenamiento durante dos meses o menos

1. Llene el tanque de combustible según la sección PREPARACIÓN DEL MOTOR de este manual y luego agregue un estabilizador de combustible según las recomendaciones del fabricante. **NOTA:** El uso de un estabilizador de combustible (se vende por separado) al almacenar gasolina puede ayudar a prevenir problemas relacionados con combustibles mezclados con alcohol en motores de equipos eléctricos para exteriores. Siga siempre las instrucciones proporcionadas por el fabricante del estabilizador de combustible para mezclar y usar correctamente.
2. Asegúrese de que el tanque tenga suficiente agua para hacer funcionar la bomba durante unos diez minutos.
3. Complete los pasos en las secciones LISTA DE VERIFICACIÓN DE FUNCIONAMIENTO y CONEXIÓN DE LA PISTOLA PULVERIZADORA de este manual.
4. Arranque el motor según la sección ARRANQUE de este manual y déjelo en marcha durante diez (10) minutos para permitir que el combustible estabilizado circule por todo el sistema de combustible. Asegúrese de apretar el gatillo para mantener el agua fluyendo a través de la bomba y la pistola rociadora para evitar el sobrecalentamiento.
5. Gire el interruptor del motor a la posición APAGADO.
6. Apriete el gatillo de la pistola rociadora para aliviar la presión en la manguera y la bomba, luego drene la manguera de alta presión.
7. Usando la válvula de tres vías debajo del tanque de agua, drene el tanque.
8. Deje que el motor se enfríe por completo.
9. Proteja la bomba utilizando Pump Guard SIMPSON® conforme la sección USO DE PUMP GUARD de este manual.
10. Guarde el remolque en un lugar limpio y seco, alejado de la luz solar directa.

Almacenamiento durante más de dos meses

1. Asegúrese de que el motor esté completamente frío.
2. Retire todo el combustible del tanque de combustible, las líneas de combustible y el carburador aflojando el tornillo de drenaje en la parte inferior del carburador y drenando el combustible en un recipiente apropiado.
3. Con la(s) bujía(s) desconectada(s), cambie el aceite del motor.
4. Elimine la suciedad y los residuos del área alrededor de las bujía(s) y luego use una llave de vaso o una llave para quitar las bujía(s).
5. Vierta 0,5 onzas (15 ml) de aceite nuevo en la cámara de combustión del motor, luego haga girar lentamente el motor tirando del retroceso dos (2) veces -o- use el arranque eléctrico durante un segundo para distribuir el aceite y lubricar el cilindro.
6. Instale las bujía(s).
7. Desenrolle la manguera de alta presión para drenar el agua almacenada; vuelva a enrollarlo en el carrete.
8. Usando la válvula de tres vías debajo del tanque de agua, drene el tanque.

9. Se recomienda usar SIMPSON Pump Guard o un equivalente cuando se almacena la unidad durante más de 30 días y/o cuando se esperan temperaturas bajo cero.

10. Guarde el remolque en un lugar limpio y seco, alejado de la luz solar directa.

Transporte

Asegúrese de leer y comprender completamente tanto el “Manual del propietario del remolque utilitario” como la hoja “Instrucciones adicionales del remolque de limpieza a presión móvil / remolque de agua” antes de remolcar el remolque.

USO DE PUMP GUARD SIMPSON®



NOTICE

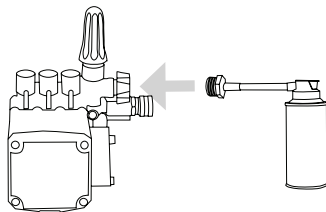
DAÑO DE LA BOMBA

Dejar agua dentro de la bomba durante un clima helado causará daños severos a la bomba. Para evitar daños costosos, siempre trate la bomba con Pump Guard SIMPSON® para eliminar el agua atrapada y llenar la bomba con una solución lubricante y anticongelante.

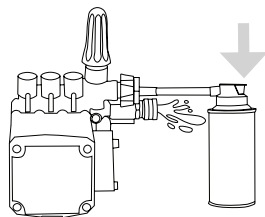
Pump Guard SIMPSON® (se compra por separado) está formulado para proteger su bomba durante el almacenamiento a largo plazo y contra daños por congelamiento. Pump Guard debe usarse durante toda la temporada para mantener los sellos flexibles y bien lubricados. Antes de almacenar la unidad para el invierno o para cuando haya posibilidad de heladas, use Pump Guard para eliminar todo rastro de agua de las cavidades internas mientras las llena con una solución anticongelante. Pump Guard es un seguro para su inversión, utilícelo.

Simplemente use Pump Guard siguiendo estos sencillos pasos:

1. Atornille el adaptador Pump Guard en la entrada de la manguera de jardín de la bomba.



2. Mantenga presionado el botón hasta que toda el agua y Pump Guard comiencen a salir del puerto de alta presión.



3. Desenrosque el Pump Guard y luego prepare la lavadora a presión para almacenarla como se describe en ALMACENAMIENTO Y TRANSPORTE.

GARANTÍA LIMITADA COMERCIAL

TÉRMINOS DE LA COBERTURA DE LA GARANTÍA:

El fabricante de este producto se compromete a reparar o reemplazar las partes designadas que resulten defectuosas dentro del período de garantía que se indica a continuación, a discreción exclusiva del fabricante. Se aplican limitaciones / extensiones y exclusiones específicas.

Esta garantía cubre defectos de material y mano de obra y no fallas de partes debido al desgaste normal, depreciación, abuso, daño accidental, negligencia, uso inadecuado, mantenimiento, calidad del agua o almacenamiento. Los elementos de desgaste normal incluyen, entre otros, elementos como válvulas y sellos, que no están cubiertos por esta garantía. Para realizar una reclamación de acuerdo con los términos de la garantía, todas las partes que se consideren defectuosas deben conservarse y estar disponibles para su devolución previa solicitud a un Centro de servicio de garantía designado para la inspección de la garantía. Los juicios y decisiones del fabricante con respecto a la validez de las reclamaciones de garantía son finales.

Esta garantía limitada se extiende únicamente al consumidor que compró originalmente el producto nuevo al fabricante o a un vendedor autorizado del producto. No se extiende a propietarios posteriores ni a la transferencia del producto por parte del consumidor, y no puede ser proporcionada por ningún vendedor no autorizado del producto. Los Centros de Servicio de Garantía autorizados y capacitados por la fábrica respetarán los términos de todas las garantías de los componentes y satisfarán las reclamaciones de las disposiciones de garantía correspondientes.

Esta garantía reemplaza todas las demás garantías, expresas o implícitas, incluyendo, entre otras, las garantías de comerciabilidad o idoneidad para un propósito particular y todas las garantías tales quedan excluidas y rechazadas por el fabricante. La obligación de garantía del fabricante se limita a la reparación y reemplazo de productos defectuosos de acuerdo con lo dispuesto en este documento y el fabricante no será responsable de ninguna pérdida, daño o gasto adicional, incluyendo daños por envío, accidente, abuso, casos fortuitos, mal uso o negligencia. Tampoco lo es el daño por reparaciones utilizando partes no compradas al fabricante o las alteraciones realizadas por personal no autorizado por la fábrica. No instalar y operar el equipo de acuerdo con las pautas establecidas en el manual de instrucciones anulará la garantía.

ESTA GARANTÍA NO CUBRE:

Daños resultantes del envío (los reclamos deben presentarse con el transportista), accidente, abuso, caso fortuito, mal uso o negligencia. Esta garantía tampoco cubre daños por reparaciones o alteraciones realizadas por personal no autorizado por la fábrica o por no instalar y operar el equipo de acuerdo con las pautas establecidas en el manual de instrucciones. El fabricante no será responsable ante ninguna persona por daños consecuentes, lesiones personales o pérdidas comerciales.

RESPONSABILIDAD DEL COMPRADOR ORIGINAL (USUARIO INICIAL):

Para procesar un reclamo de garantía en su lavadora a presión SIMPSON®, informe la inquietud al 1-833-362-7368 o cservice@FNA-GROUP.COM para autorización y dirección al centro de servicio autorizado más cercano en su área. Conserve el recibo de venta original de la caja registradora como prueba de compra para el trabajo de garantía. Tenga un cuidado razonable en la operación y mantenimiento del producto como se describe en el (los) Manual(es) del Operador.

QUÉ NO CUBRE ESTA GARANTÍA:

- Daños por flete
- Daños por deterioro químico, agua salada, óxido o corrosión
- Daños causados por partes o accesorios no obtenidos de un distribuidor autorizado o no aprobados por el fabricante
- Desgaste normal de partes móviles o componentes afectados por partes móviles
- Piezas consumibles como: Filtro de combustible, filtro de aire, bujía(s), cuerda de arranque de retroceso, aceite y lubricante(s)
- Trabajo de mantenimiento periódico normal, como la limpieza del carburador y el drenaje del aceite del motor
- Daños por congelamiento

PERÍODOS DE COBERTURA DE GARANTÍA:

SISTEMA DE CONTROL DE EMISIONES Y MOTOR

- Cubierto por la garantía del fabricante del motor. Consulte el manual del motor.

BOMBA DE ALTA PRESIÓN (DEFECTOS DE MATERIAL Y MANO DE OBRA)

- CINCO (5) años desde la fecha de compra

MARCO (DEFECTOS EN MATERIALES Y MANO DE OBRA)

- UNO (1) año desde la fecha de compra

ACCESORIOS (DEFECTOS DE MATERIAL Y MANO DE OBRA)

- Boquillas, mangueras, pistolas rociadoras, varillas, llantas, pies de goma: Noventa (90) días a partir de la fecha de compra



LEA ESTE MANUAL DETENIDAMENTE ANTES DE LA OPERACIÓN

El incumplimiento de las instrucciones y precauciones de seguridad de este manual puede provocar daños a la propiedad, lesiones graves y/o la muerte.

CONSERVE ESTE MANUAL PARA FUTURA REFERENCIA

Copyright © 2026 FNA-Group, Inc. Todos los derechos reservados.