



To obtain a full manual, including your warranty terms, scan the code or text the number on the Learn More label on the machine, or visit <https://www.simpsoncleaning.com>, or contact Customer Support at 1-877-362-4271 or email: cservice@fna-group.com



SCAN QR CODE OR TEXT
MODEL #
TO 1 (888) 123-
SAMPLE

Notes:

1. This quick start guide is not a replacement for the owner's manual. Be sure to download and read the owners manual before operating the machine for the first time.
2. Read all the information in the safety section of this document and all related user manuals before operating the machine.
3. Perform the procedures outlined in this quick start guide before operating the machine.

Contact Us:

If you have any questions regarding the unpacking, assembly, or use of your pressure washer, please have your model number and serial number ready, then contact customer support at **1-877-362-4271** or email cservice@fna-group.com.

Disclaimers:

- All information in this guide was based on the latest product information available at the time of its printing.
- This guide may cover more than one machine. The drawings in this guide should be used for reference only. There may be differences between your product and the pictures, drawings, and / or diagrams used in this guide.
- In a continued commitment to improve quality, The manufacturer reserves the right to update, change, and / or improve the product(s) covered in this guide at any time, without notice, and without incurring any obligation. Therefore, the product(s) this guide covers may differ slightly those pictured.

Safety: **NOTE:** Be sure to read understand the safety information listed below. Each box contains one of three words: WARNING, CAUTION, or NOTICE each of these words indicates a different level of hazard severity and is followed by information about specific hazards, the consequences of the hazards, and instructions on how to avoid the hazards. Failure to heed these symbols and the information provided with them could result in property damage, injury, and/or death.

WARNING: Indicates a potentially hazardous situation which, if not avoided, could result in property damage, serious injury, and/ or death.

CAUTION: Indicates a hazardous situation, which if not avoided, could result in property damage and/or minor to moderate injury.

NOTICE Indicates information considered important but not directly hazard related.

WARNING: OPERATION CHECKLIST
Attempting to use the pressure washer incorrectly can result in motor and/or pressure washer damage, and may cause serious injury or death. To avoid these hazards, be sure to read, understand, and follow the steps outlined in the OPERATING CHECKLIST section of the owner's manual before starting the pressure washer, and follow all the guidelines for proper use of the pressure washer.

WARNING: MOVING PARTS
This product has many parts that move at high speeds. Moving parts can cause crushing injuries, broken bones, severe lacerations, and/or traumatic amputations. To prevent injury, never place fingers, hands, feet, or other body parts near running pressure washer. Never operate product with covers, shrouds, or other guards removed. Do not wear loose-fitting clothing, dangling drawstrings, or any other hanging items that could become entangled in moving parts while operating. Tie up long hair and remove jewelry before operating.

WARNING: INSPECT
Failure to inspect this product and before use could result in product damage, serious injury, and/or death. To avoid these hazards, inspect the pressure washer before each use. Check for loose or damaged parts, signs of oil leaks, missing guards, plugged cooling vents, or any other condition that may affect proper operation. Repair or replace all damaged or defective parts and keep all safety guards in place and in proper working order before using the pressure washer.

WARNING: UNTRAINED OPERATION
Untrained persons, young children, and pets can be seriously injured or killed if allowed to incorrectly operate or play with a running pressure washer. To avoid these hazards, be sure anyone operating the pressure washer receives proper instructions, understands safe operation, and has read the owner's manual before operating this product. Do not let children operate the pressure washer without parental supervision. Keep young children and pets away from the pressure washer while it is running. Always turn off the pressure washer before leaving the area.

WARNING: VOLATILE LIQUIDS
Pressure washing with volatile, flammable, or corrosive liquids could cause pressure washer damage, fire, or explosion resulting in severe injury and/or death. To avoid these hazards, use only approved soaps and chemicals. Do not attempt to pressure wash with volatile, flammable, or corrosive liquids, and NEVER use bleach.

WARNING: INJECTION INJURY
The high pressures created by a pressure washer can cause fluid injection injuries, severe lacerations, amputations, and / or death. To avoid these hazards, always aim the spray gun and lance in a safe direction when using a pressure washer and never attempt to touch a leak in a high-pressure hose or fitting.

NOTICE PUMP PURGING
Running a pressure washer pump without water will severely damage the pump seals and other internal components. To avoid this hazard, make sure your water supply is uninterrupted, provides at least 5 GPM at 20 PSI, and always purge the air your pressure washer pump before starting the engine.
Refer to the 'Assembly / Connecting Hoses' section of this quick-start guide to learn how to purge the pump of air.

NOTICE CHEMICAL CLEANERS
Using chemical cleaners and/or corrosive liquids can damage the pressure washer seals and internal components. Damage caused by chemical cleaners and corrosive liquids is not covered under warranty. To avoid these hazard, only used approved cleaning chemicals, never use bleach, and always run clean water through the pressure washer after using cleaning chemicals.

NOTICE PUMP DAMAGE
Running the pressure washer for more than two minutes without the spray gun trigger pulled will overheat the pump and possibly cause damage. The thermal relief valve will open and spray water to help cool the pump as it overheats. To avoid overheating the pump, shut off the machine if not being used for longer than two minutes.

NOTICE PUMP DAMAGE
Turning off the water supply to your pump with the motor running will damage the pump. Damage caused by running the pump without water is not covered under warranty. To avoid this hazard always turn off the pressure washer before shutting off the water supply.

NOTICE FREEZE DAMAGE

Anytime the pressure washer may endure freezing temperatures, remaining water needs to be drained from the pump, high-pressure hose and spray gun assembly. Drain the hose, spray gun and pump as explained in the pressure washer Use and Care Manual. It is suggested to purge the pump of water by using Simpson® Pump Guard or equivalent pump protectant.

NOTICE CLEANING

Water can damage the pressure washer electrical components if allowed to enter through cooling slots or other holes. Damage caused by water intrusion is not covered under warranty. To avoid electrical damage, do not use a pressure washer, garden hose, or any other sources of running water to clean the pressure washer, and never submerge the pressure washer in any liquids.

NOTICE SPRAY DAMAGE

High-pressure spray can damage plants and other surfaces. To avoid damaging plants, cover them before spraying near them. To avoid damaging surfaces. Refer to the Nozzle Selection table in this manual for correct nozzle and test surfaces before spraying to make sure they are strong enough to withstand high-pressure spray.

NOTICE

This appliance is not intended to be used by persons (including children) with reduced physical, sensory, or mental capabilities, or lack of experience and knowledge, unless they have been given supervision or instruction concerning use of the appliance by a person responsible for their safety.

Children should be supervised to ensure that they do not play with the appliance.

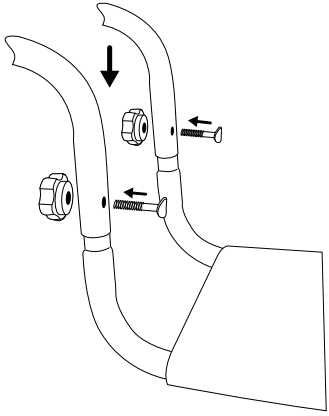
Unpacking:

1. Place the shipping carton on a solid, flat surface.
2. Carefully cut the top of the carton open.
3. Carefully cut each corner of the carton from top to bottom.
4. Lay each side of the carton flat on the ground.
5. Remove everything from the carton.

Assembly / Connecting Hoses:

1. Install the handle.

Slide the handle onto the frame then secure it with the included knobs and bolts.



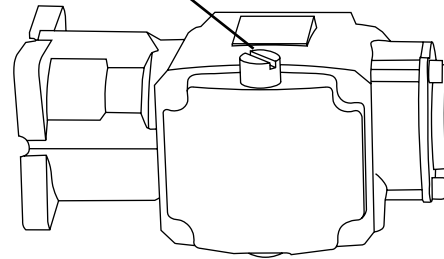
2. Add the pump breather cap.

IMPORTANT!

A RED shipping plug is in the pump that must be replaced with a BLACK breather cap. The cap is easy to replace with the following steps:

1. Using a bladed screw driver, remove the RED shipping plug from the top of the pump.
2. Hand thread the BLACK breather cap into the pump.
3. Snug the cap with your fingers.

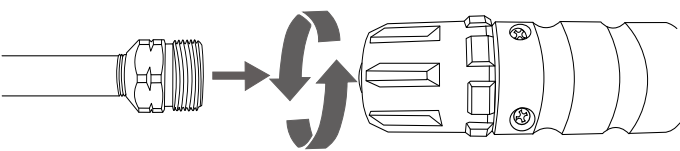
RED shipping plug



BLACK breather cap

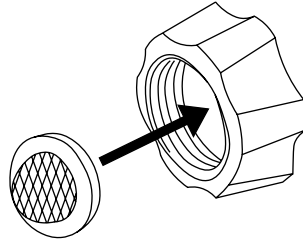


3. Secure the lance to the gun by carefully turning the coupler on the spray gun until the coupler stops rotating. Do not over tighten. Most of the threads on the lance will not be visible if the lance and gun are properly assembled. Be careful not to cross-thread the gun and lance.

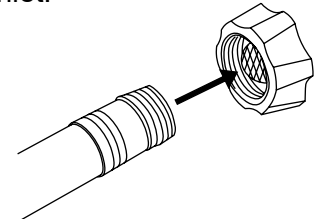


WARNING! The threads on the lance and gun coupler can be easily cross threaded resulting in an improper assembly. An improper assembly of the gun and lance can result in personal injury. Do not use if the threads on the gun coupler and or lance are cross threaded.

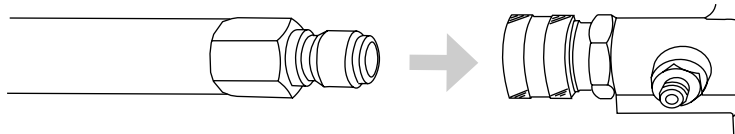
4. Make sure the inlet screen is clean before inserting the screen into the pump inlet with the convex side facing out.



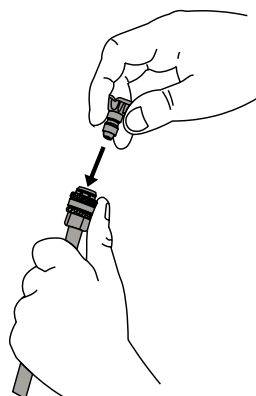
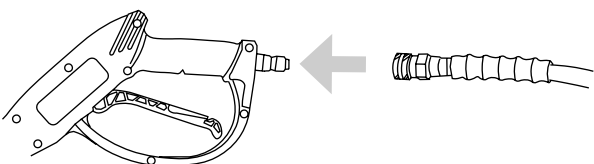
5. Turn on the water supply for 30 seconds to purge any dirt or debris from the supply hose. Then, turn off the water supply and thread the water supply hose into the pump inlet.



6. While pulling back on the pump outlet collar, insert the hose connector then release the collar. Gently tug on the hose to make sure it is locked.

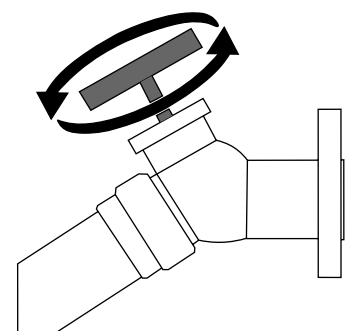


7. While pulling back on the hose outlet collar, insert the gun connector then release the collar. Gently tug on the hose to make sure it is locked.



8. Select the correct nozzle for your cleaning job per nozzle selection chart in this document and install it onto the lance by pulling the quick-connect coupler back, inserting the nozzle, then releasing the coupler allowing it to snap back in place.

9. Turn the water faucet completely on. Do not run the unit without water supply connected and turned on. Use cold water only.



⚠ DANGER: ELECTROCUTION HAZARD

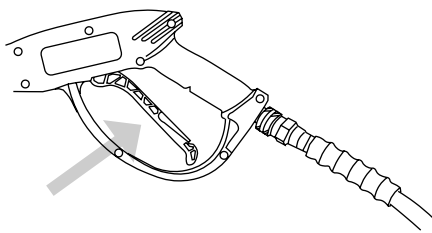
Improper connection of the equipment grounding conductor can result in the risk of electrocution. Check with a qualified electrician if you are in doubt as to whether the receptacle is properly grounded. DO NOT modify the plug provided with this product. If it will not fit the receptacle, have a proper receptacle installed by a qualified electrician. DO NOT use any type of adapter with this product.

⚠ CAUTION: POWER SUPPLY

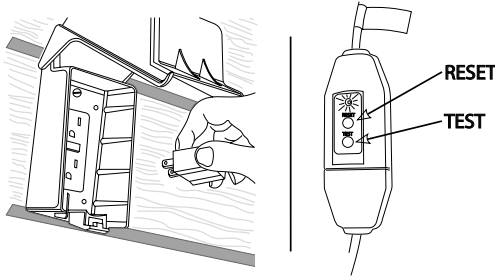
This pressure washer shall only be used with a dedicated receptacle/plug rated 120vAC, 60 Hz at 15 -or- 20 amperes. Any other appliances on the circuit should be turned off or unplugged when using the pressure washer. Never use the pressure washer with an adapter that may lead to higher voltage or excessive current. Excessive current may trip circuit breaker. Consult a qualified electrician if unsure of the desired power supply receptacle's ability to safely power this pressure washer.

IT IS NOT RECOMMENDED TO USE AN EXTENSION CORD. If, however, an extension cord is required, it must be an **OUTDOOR RATED 3-PRONG CORD**, that is no longer than 50 feet (15M) and has a minimum of 14 AWG (2.5mm²) conductors. Always uncoil the extension cord when in use. **DO NOT** use an extension cord that has its ground pin damaged or missing.

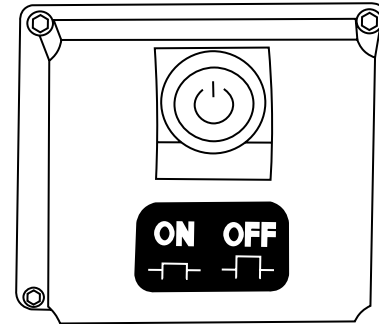
10. Release all air from the pump and high pressure hose by depressing the trigger until a steady stream of water is present; approximately 30 seconds. When completed, engage the trigger lock.



11. Plug GFCI into power receptacle. Firmly press and release the TEST button, then press and release the RESET button. The light on the GFCI should illuminate.

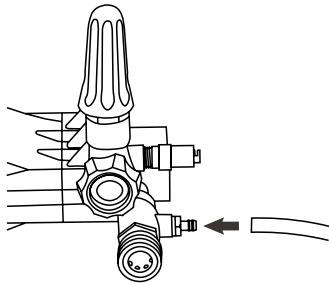


12. Press the ON/OFF button into the ON position. Squeeze the trigger to start pressure washing.



Using Chemicals:

1. Attach the open end of the soap hose to the barbed fitting on the pump.

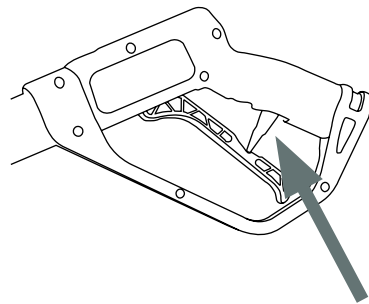


2. Place the filtered end of the soap hose into a container of soap.

NOTE: Use only soaps that are approved for pressure washer use.

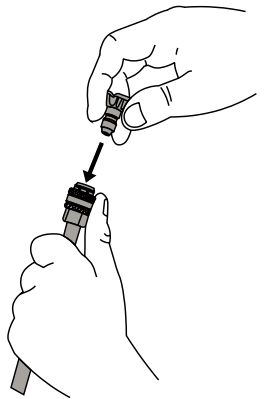


3. Place the trigger lock in the locked position before removing and installing nozzles.



4. Insert the black nozzle into the spray wand.

NOTE: Soaps will not siphon if the black soap nozzle is not installed on the spray wand.



NOTE: After using soap, place the filtered end of the soap hose into a container of clean water and run pressure washer drawing clean water through the hose and pump until the system is thoroughly rinsed. If soap or other chemicals remain in the pump, the pump could be damaged. Pump damage from soap or chemical residue is not covered under warranty.

Selecting a Nozzle:

Color	Spray Pattern	Uses	Surfaces
Red	0°	Spot cleaning hard, unpainted surfaces and high-reach areas	Unpainted metal and concrete DO NOT use on wood
Yellow	15°	Intense cleaning of unpainted surfaces	Grills, driveways, concrete and brick walkways, unpainted brick and stucco
Green	25°	Standard cleaning nozzle for most applications	Yard tools, sidewalks, lawn furniture, unpainted siding, stucco, gutters, eaves, concrete, and brick surfaces
White	40°	Cleaning painted or delicate surfaces	Autos, trucks, RVs, boats, wood, painted brick, painted stucco, vinyl, and painted siding
Black	Soap	Applying cleaning solutions	Safe on all surfaces. Always verify compatibility of cleaning solutions prior to use.

NOTE: Before using the pressure washer, always verify that the nozzle is locked correctly by gently tugging on the nozzle. A loose nozzle could fly loose causing injury and/or damage.

Pressure Washing Tips:

1. Set the trigger lock on the spray gun when not in use.
2. A wider spray equals faster cleaning, while tighter spray equals deeper cleaning.
3. Do not aim the nozzle straight at a surface. Hold the wand at a 45-degree angle to the surface and at a distance that cleans well without causing damage.
4. Keep the nozzle about 4-feet away from siding to prevent damage to surfaces.
5. Wash siding by starting at the bottom and working your way up, then rinse from the top down.
6. Avoid driving water up behind siding.
7. For even cleaning, use overlapping strokes.
8. Work in smaller areas and do not let soap dry on surfaces.
9. Whenever freezing weather is possible, remove any remaining water from the high-pressure hose, spray gun assembly and the pump as indicated in the pressure washer Use and Care Manual. We suggest protecting the pump by using Simpson® Pump Guard.



Pour obtenir un guide complet, y compris les conditions de garantie, balayez le code ou envoyez un texto au numéro figurant sur l'étiquette « En savoir plus » de la machine, visitez le site <https://www.simpsoncleaning.com> ou contactez le service d'assistance à la clientèle au 1 877 362-4271 ou par courriel à l'adresse cservice@fna-group.com.



SCAN QR CODE OR
MODEL
TO 1 888-362-4271

Remarques :

1. Ce guide de démarrage rapide ne remplace pas le manuel de l'utilisateur. **Ne manquez pas de télécharger le manuel de l'utilisateur et de le lire avant d'utiliser la machine pour la première fois.**
2. Lisez toutes les informations du chapitre sécurité de ce document et tous les manuels d'utilisation connexes avant d'utiliser la machine.
3. Effectuez les procédures décrites dans ce guide de démarrage rapide avant d'utiliser la machine.

Nous contacter :

Si vous avez des questions concernant le déballage, l'assemblage ou l'utilisation de votre laveur sous pression, préparez le numéro du modèle et le numéro de série puis contactez l'assistance à la clientèle au **1-877-362-4271** ou envoyez un courriel à cservice@fna-group.com.

Déni de responsabilité :

- Tous les renseignements dans cette publication sont basés sur les dernières informations disponibles sur le produit au moment de l'impression.
- Ce guide peut concerner plusieurs machines. Les schémas dans ce guide ne doivent être utilisés qu'en référence. Des différences entre votre produit et les illustrations, schémas et/ou diagrammes utilisés dans ce guide peuvent exister.
- Dans le cadre d'une amélioration continue de la qualité, le fabricant se réserve le droit d'actualiser, modifier et/ou améliorer le ou les produits couverts par ce guide à tout moment, sans créer d'obligation. Par conséquent, le ou les produits concernés par ce guide peuvent être légèrement différents de ceux qui y sont illustrés.

Sécurité : **REMARQUE :** Assurez-vous de comprendre les consignes de sécurité indiquées ci-dessous. Chaque case contient l'un de trois mots : AVERTISSEMENT, ATTENTION ou AVIS, chacun de ces mots indique un niveau de gravité du risque différent et il est suivi d'informations à propos des dangers spécifiques, de leurs conséquences et des instructions sur la façon de les éviter. Faute de tenir compte de ces symboles et informations qui les accompagne, des dommages matériels, des blessures et/ou la mort peuvent survenir.



AVERTISSEMENT:

Indique une situation potentiellement dangereuse qui, si elle n'est pas évitée, peut entraîner des dommages matériels, des blessures graves et/ou la mort.



ATTENTION:

Indique une situation dangereuse qui, si elle n'est pas évitée, peut entraîner des dommages matériels et/ou des blessures légères à modérées.

AVIS

Indique des informations considérées comme importantes mais sans lien direct avec un danger.



AVERTISSEMENT:

LISTE DE CONTRÔLE DE FONCTIONNEMENT

Tenter de démarrer le moteur ou d'utiliser le laveur sous pression incorrectement peut endommager le moteur et/ou le laveur sous pression et provoquer des blessures graves ou la mort. Pour éviter ces risques, ne manquez pas de lire, comprendre et respecter les étapes décrites dans la section LISTE DE CONTRÔLE DE FONCTIONNEMENT du manuel de l'utilisateur avant de démarrer le moteur et de suivre toutes les recommandations pour l'utilisation correcte du laveur sous pression.



AVERTISSEMENT:

FONCTIONNEMENT SANS FORMATION

Les personnes non formées, les jeunes enfants, les animaux domestiques peuvent subir de graves blessures ou la mort s'ils sont autorisés à utiliser ou à jouer avec un laveur sous pression en fonctionnement. Pour éviter ces dangers, veillez à ce quiconque utilisant le laveur sous pression reçoive les instructions adéquates, comprenne le fonctionnement sécuritaire et lise le manuel de l'utilisateur avant d'utiliser ce produit. Ne laissez pas les enfants utiliser le laveur sous pression sans supervision parentale. Tenez les jeunes enfants et les animaux domestiques à l'écart du laveur sous pression lorsqu'il fonctionne. Éteignez toujours le laveur sous pression avant de quitter la zone.



AVIS

DOMMAGES DE LA POMPE

Couper l'arrivée d'eau à votre pompe alors que le moteur fonctionne endommage la pompe. Les dommages causés par le fonctionnement de la pompe sans eau ne sont pas couverts par la garantie. Pour éviter ce risque, arrêtez toujours le moteur avant de couper l'arrivée d'eau.



AVERTISSEMENT:

PIÈCES MOBILES

Ce produit contient de nombreuses pièces mobiles à haute vitesse. Les pièces mobiles peuvent causer des écrasements, des fractures, des lacérations graves et/ou des amputations traumatiques. Pour éviter les blessures, ne placez jamais vos doigts, mains, pieds ou autre partie du corps à proximité du moteur en marche. N'utilisez jamais le produit avec les capots, les coiffes ou autres protections retirés. Ne portez pas de vêtements amples, de cordon pendant ou autres objets pendants susceptibles de s'accrocher dans les pièces mobiles en fonctionnement. Attachez vos cheveux longs et retirez vos bijoux avant l'utilisation.



AVIS

PRODUITS DE NETTOYAGE CHIMIQUES

L'utilisation de produits de nettoyage chimique et/ou de liquides corrosifs peut endommager les joints du laveur sous pression et ses composants internes. Les dommages causés par les produits de nettoyage chimiques et les liquides corrosifs ne sont pas couverts par la garantie. Pour éviter ces risques, utilisez seulement des produits de nettoyage chimiques approuvés, n'employez jamais de chlore et faites toujours circuler de l'eau propre dans le laveur sous pression après avoir utilisé des substances chimiques.



AVERTISSEMENT:

LIQUIDES VOLATILS

Le lavage sous pression avec des liquides volatils, inflammables ou corrosifs peut endommager le laveur sous pression et causer un incendie ou une explosion entraînant des blessures graves et/ou la mort. Pour éviter ces dangers, utilisez exclusivement des détergents et substances chimiques approuvés, ne tentez pas de laver sous pression avec des liquides volatils, inflammables ou corrosifs et n'utilisez JAMAIS de chlore.



AVERTISSEMENT:

INSPECTER

Faute d'inspecter ce produit avant utilisation, des dommages au produit, des blessures graves ou la mort peuvent survenir. Pour éviter ces dangers, inspectez le laveur sous pression avant chaque utilisation. Vérifiez si des pièces sont desserrées ou endommagées, les signes de fuites d'huile ou de carburant, si des protections sont manquantes et toute autre condition susceptible d'affecter l'utilisation appropriée. Réparez ou remplacez toutes les pièces endommagées ou défectueuses et maintenez les protections de sécurité en place et en bon état de fonctionnement avant d'utiliser le laveur sous pression.



AVIS

PURGE DE LA POMPE

L'utilisation d'une pompe de laveur sous pression sans eau endommage sévèrement les joints de la pompe ainsi que d'autres composants internes. Pour éviter ce risque, vérifiez de l'alimentation en eau est ininterrompue, qu'elle fournit au moins 5 GPM à 20 PSI et purgez toujours l'air de la pompe de votre laveur sous pression avant de démarrer le moteur.

Consultez la section « Assemblage / Raccordement des tuyaux » de ce guide de démarrage rapide pour savoir comment purger la pompe de l'air.



AVERTISSEMENT:

BLESSURE PAR INJECTION

Les hautes pressions créées par un laveur sous pression peuvent provoquer des blessures par injection de liquide, des lacérations graves, des amputations et/ou la mort. Pour éviter ces dangers, orientez toujours le pistolet de pulvérisation et la lance dans une direction sécuritaire et ne tentez jamais de toucher une fuite dans un boyau ou un raccord sous haute pression.

AVIS

DOMMAGES DUS AU GEL

Chaque fois que le laveur sous pression risque d'être exposé à des températures glaciales, l'eau restante doit être vidangée de la pompe, du tuyau à haute pression et de l'ensemble du pistolet de pulvérisation. Vidangez le tuyau, le pistolet de pulvérisation et la pompe comme expliqué dans le manuel d'utilisation et d'entretien du laveur sous pression. Il est conseillé de purger la pompe de l'eau en utilisant Simpson® Pump Guard ou un produit de protection de la pompe équivalent.

AVIS

Cet appareil n'est pas destiné à être utilisé par des personnes (y compris des enfants) ayant des capacités physiques, sensorielles ou mentales réduites, ou un manque d'expérience et de connaissances, à moins qu'elles n'aient reçu une supervision ou des instructions concernant l'utilisation de l'appareil par une personne responsable de leur sécurité.

Les enfants doivent être surveillés pour s'assurer qu'ils ne jouent pas avec l'appareil.

AVIS

DOMMAGES DE PULVÉRISATION

La pulvérisation sous haute pression peut endommager les plantes et autres surfaces. Pour éviter d'endommager les plantes, couvrez-les avant de pulvériser à proximité. Pour éviter d'endommager les surfaces. Consultez le tableau Sélection de la buse dans ce manuel pour connaître la buse correcte et testez les surfaces avant de pulvériser pour vérifier si elles sont suffisamment robustes pour supporter une pulvérisation sous haute pression.

AVIS

DOMMAGES DE LA POMPE

Utiliser le laveur sous pression pendant plus de deux minutes sans tirer sur la gâchette du pistolet de pulvérisation surchauffe la pompe et peut éventuellement provoquer des dommages. La soupape de sûreté thermique s'ouvre et pulvérise l'eau pour contribuer à refroidir la pompe quand elle surchauffe. Pour éviter de surchauffer la pompe, arrêtez la machine si elle reste inutilisée pendant plus de deux minutes.

AVIS

Cet appareil n'est pas destiné à être utilisé par des personnes (y compris des enfants) dont les capacités physiques, sensorielles ou mentales sont réduites ou qui manquent d'expérience et de connaissances, à moins qu'elles n'aient bénéficié d'une surveillance ou de formation concernant l'utilisation de l'appareil de la part d'une personne responsable de leur sécurité.

Les enfants doivent être surveillés afin de s'assurer qu'ils ne jouent pas avec l'appareil.

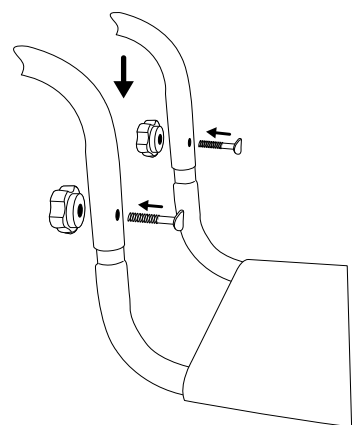
AVIS

NETTOYAGE

L'eau peut endommager les composants du moteur du laveur sous pression si elle pénètre par les fentes de refroidissement ou d'autres orifices. Les dommages causés par la pénétration d'eau ne sont pas couverts par la garantie. Pour éviter les dommages causés par l'eau, n'utilisez pas un laveur sous pression, un boyau de jardin ou toute autre source d'eau courante pour nettoyer le moteur du laveur sous pression et ne l'immergez jamais dans un liquide quelconque.

Déballage :

1. Placez la boîte d'expédition sur une surface plane et solide.
2. Découpez soigneusement le dessus du carton.
3. Coupez soigneusement chaque coin du carton de haut en bas.
4. Dépliez chaque côté du carton à plat sur le sol.
5. Retirez tout ce qui se trouve dans la boîte.



1. Glissez la poignée sur le cadre puis sécurisez-la avec les boutons et boulons fournis.

Assemblage / Raccordement des tuyaux :

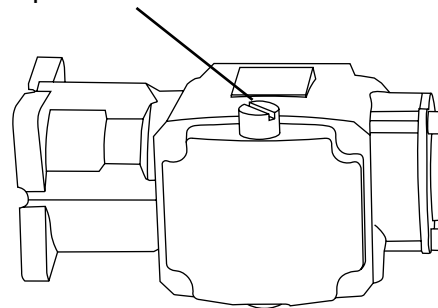
2. (**Le cas échéant**) Ajoutez le bouchon reniflard de la pompe.

IMPORTANT!

Un bouchon d'expédition ROUGE se trouve dans la pompe qui doit être remplacé par un bouchon reniflard NOIR. Le capuchon est facile à remplacer en suivant les étapes suivantes :

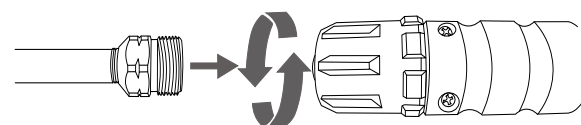
1. À l'aide d'un tournevis à lame, retirez le bouchon d'expédition ROUGE du haut de la pompe.
2. Visser à la main le bouchon reniflard NOIR dans la pompe.
3. Serrez le capuchon avec vos doigts.

Bouchon d'expédition ROUGE



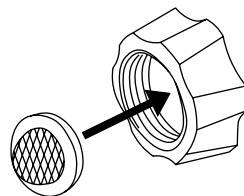
Bouchon reniflard NOIR

3. Fixez la lance au pistolet en tournant avec précaution le coupleur du pistolet de pulvérisation jusqu'à ce que le coupleur cesse de tourner. Ne serrez pas trop fort. La plupart des filetages de la lance ne seront pas visibles si la lance et le pistolet sont correctement assemblés. Assurez-vous de ne pas croiser les filetages du pistolet et de la lance.

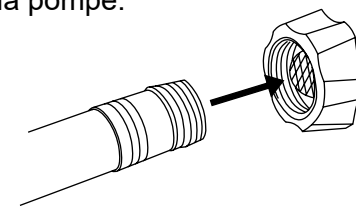


AVERTISSEMENT! Les filetages du coupleur de la lance et du pistolet peuvent être facilement croisés, ce qui entraîne un assemblage incorrect. Un assemblage incorrect du pistolet et de la lance peut entraîner des blessures. Ne pas utiliser si les filetages du coupleur du pistolet et/ou de la lance sont croisés.

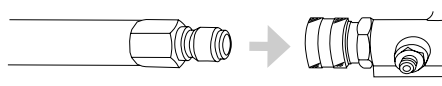
4. Vérifiez que le filtre d'entrée est propre, à l'intérieur de l'entrée de la pompe et que la face convexe est tournée vers l'extérieur.



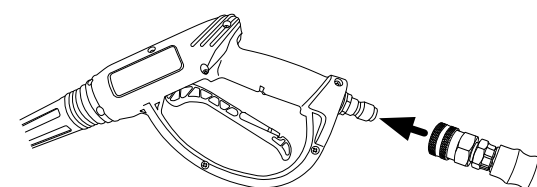
5. Ouvrez l'arrivée d'eau et laissez-la couler pendant 30 secondes pour purger la saleté ou les débris du boyau d'alimentation. Coupez ensuite l'arrivée d'eau et vissez le boyau d'eau dans l'entrée de la pompe.

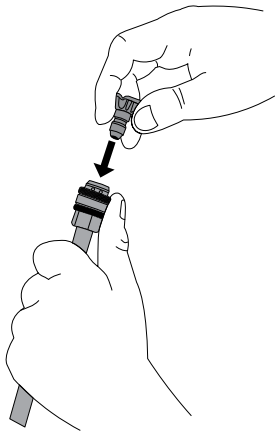


6. Insérez le raccord rapide (QC) du boyau haute pression dans le QC de sortie femelle sur la pompe ou vissez le boyau haute pression sur la sortie de la pompe.



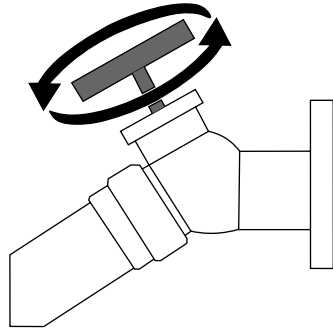
7. Insérez le raccord QC mâle du pistolet de pulvérisation dans le connecteur QC femelle sur le boyau haute pression.



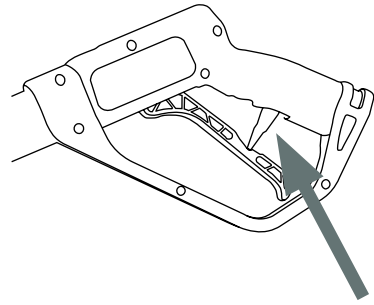


8. Sélectionnez la buse correcte pour votre travail de nettoyage selon le tableau de sélection de buse dans ce document et installez-la sur la lance en tirant le raccord rapide en arrière, en insérant la buse puis en relâchant le raccord pour qu'il s'enclenche en place.

9. Ouvrez complètement le robinet d'eau. Ne faites pas fonctionner l'appareil sans que l'alimentation en eau soit connectée et ouverte. N'utilisez que de l'eau froide.



10. Ouvrez l'arrivée d'eau, orientez le pistolet de pulvérisation dans une direction sécuritaire et maintenez la gâchette enfoncée pendant au moins 30 secondes ou jusqu'à ce que l'eau coule régulièrement et que tout l'air soit purgé de la pompe et des boyaux. Une fois l'opération terminée, enclenchez le verrou de la gâchette.



Gâchette illustrée en position verrouillée. N'oubliez pas de toujours verrouiller la gâchette lorsqu'elle n'est pas utilisée.

⚠ DANGER: RISQUE D'ÉLECTROCUTION

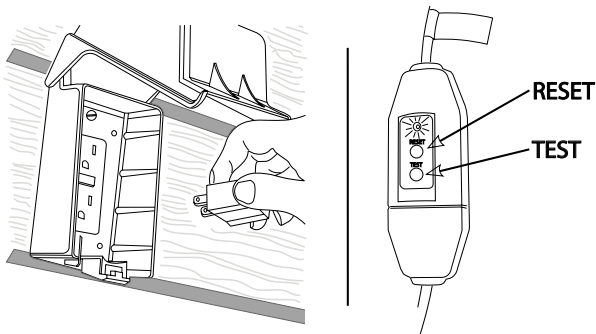
Une connexion incorrecte du conducteur de mise à la terre de l'équipement peut entraîner un risque d'électrocution. Vérifiez auprès d'un électricien qualifié si vous n'êtes pas certain que la prise est correctement mise à la terre. NE PAS modifier la fiche fournie avec ce produit. S'il ne rentre pas dans la prise, faites installer une prise appropriée par un électricien qualifié. N'UTILISEZ AUCUN type d'adaptateur avec ce produit.

⚠ ATTENTION: SOURCE DE COURANT

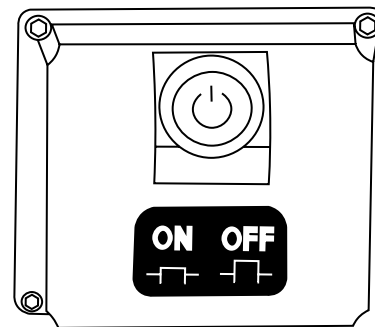
Ce nettoyeur haute pression ne doit être utilisé qu'avec une prise/fiche dédiée de 120 VCA, 60 Hz à 15 ou 20 ampères. Tous les autres appareils du circuit doivent être éteints ou débranchés lors de l'utilisation du nettoyeur haute pression. N'utilisez jamais le nettoyeur haute pression avec un adaptateur qui peut entraîner une tension plus élevée ou un courant excessif. Un courant excessif peut déclencher le disjoncteur. Consultez un électricien qualifié si vous n'êtes pas sûr de la capacité de la prise d'alimentation électrique souhaitée à alimenter en toute sécurité ce nettoyeur haute pression.

IL N'EST PAS RECOMMANDÉ D'UTILISER UNE RALLONGE. Si, toutefois, une rallonge est requise, il doit s'agir d'un **CORDON À 3 BROCHES POUR L'EXTÉRIEUR**, d'une longueur maximale de 50 pieds (15 m) et d'un minimum de conducteurs de 14 AWG (2,5 mm²). Déroulez toujours la rallonge lorsque vous l'utilisez. **N'UTILISEZ PAS** une rallonge dont la broche de mise à la terre est endommagée ou manquante.

11. Branchez le GFCI dans la prise de courant. Appuyez fermement et relâchez le bouton TEST, puis appuyez et relâchez le bouton RESET. La lumière sur le GFCI devrait s'allumer.

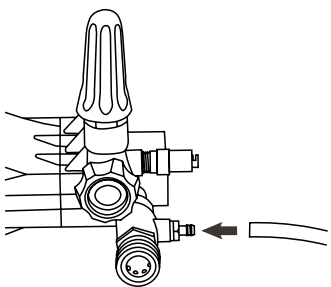


12. Appuyez sur le bouton ON/OFF en position ON. Appuyez sur la gâchette pour démarrer le lavage sous pression.

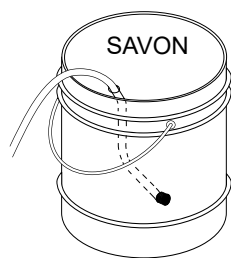


Utilisation de substances chimiques :

1. Fixez l'extrémité ouverte du boyau de détergent sur le raccord cannelé de la pompe.

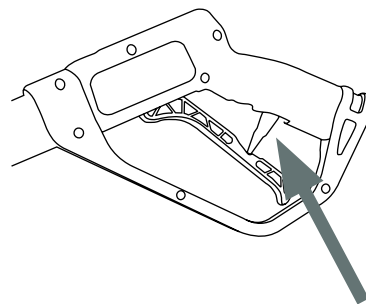


2. Placez l'extrémité filtrée du boyau de détergent dans un contenant de détergent.



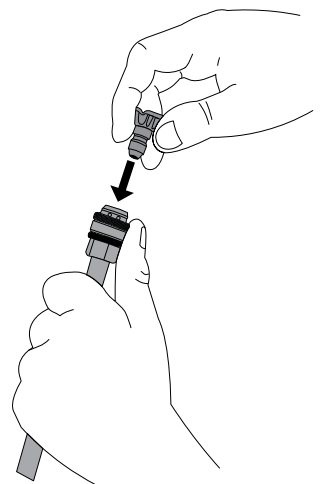
REMARQUE : Utilisez seulement des détergents approuvés pour utilisation dans un laveur sous pression.

3. Si le moteur est en marche, assurez-vous que le verrou de la gâchette est en position verrouillée avant de retirer et d'installer les buses.



4. Insérez la buse noire dans la lance de pulvérisation.

REMARQUE : Les détergents ne sont pas siphonnés si la buse noire n'est pas installée sur la lance de pulvérisation.



REMARQUE : Après avoir utilisé du détergent, placez l'extrémité filtrée du boyau de détergent dans un contenant d'eau propre et actionnez le laveur sous pression pour tirer l'eau propre à travers le boyau et pompez jusqu'à ce que le système soit soigneusement rincé. La pompe peut être endommagée si du détergent ou d'autres substances chimiques demeurent dans la pompe. Les dommages de la pompe dus au détergent et au résidu chimique ne sont pas couverts par la garantie.

Sélection d'une buse :

Couleur	Modèle de pulvérisation	Utilisations	Surfaces
Rouge	0°	Nettoyage ponctuel de surfaces dures, non peintes et des zones en hauteur	Métal et béton non peint NE PAS utiliser sur le bois
Jaune	15°	Nettoyage intense des surfaces non peintes	Grilles, allées, trottoirs en béton et en brique, brique et stuc non peints
Vert	25°	Buse de nettoyage standard pour la plupart des applications	Outils de chantier, trottoirs, meubles de jardin, revêtement non peint, stuc, caniveaux, avant-toits, surfaces en béton et brique
Blanc	40°	Nettoyage des surfaces peintes ou délicates	Autos, camions, RV, bateaux, bois, brique peinte, stuc peint, vinyle et revêtements peints
Noir	Détergent	Application des solutions de nettoyage	Sécuritaire sur toutes surfaces. Vérifiez toujours la compatibilité des solutions de nettoyage avant l'emploi.

REMARQUE : Vérifiez toujours que la buse est correctement installée en tirant doucement dessus après l'avoir insérée dans le raccord rapide avant d'utiliser le laveur sous pression.

Conseils de lavage sous pression :

1. Réglez le verrouillage de la gâchette sur le pistolet de pulvérisation lorsqu'il n'est pas utilisé.
2. Une pulvérisation plus large permet de nettoyer plus rapidement, alors qu'une pulvérisation plus étroite permet un nettoyage plus en profondeur.
3. Ne dirigez pas la buse directement vers une surface. Tenez la lance selon un angle de 45 degrés par rapport à la surface et à une distance qui permet de bien nettoyer sans endommager.
4. Tenez la buse à environ 4 pieds (1,2 mètres) du revêtement pour éviter d'endommager les surfaces.
5. Lavez le revêtement en commençant en bas et en progressant vers le haut, puis rincez de haut en bas.
6. Évitez d'envoyer de l'eau derrière le revêtement.
7. Pour un nettoyage uniforme, utilisez des passages qui se chevauchent.
8. Travaillez des surfaces plus petites et ne laissez pas le détergent sécher sur les surfaces.
9. En cas de risque de gel, évacuez l'eau restante du tuyau haute pression, de l'ensemble du pistolet de pulvérisation et de la pompe, comme indiqué dans le manuel d'utilisation et d'entretien du laveur sous pression. Nous vous conseillons de protéger la pompe à l'aide du Simpson® Pump Guard.



Para obtener el manual completo, incluyendo sus términos de garantía, escanee el código o envíe un mensaje de texto al número en la etiqueta Aprender más en la máquina, o visite <https://www.simpsoncleaning.com>, o póngase en contacto con Soporte al cliente al 1-877-362-4271 o por correo electrónico: cservice@fna-group.com



SCAN QR CODE OR TEXT
MODEL #
TO 1 (888) -4567

Notas:

1. Esta guía de inicio rápido no es un reemplazo para el manual del propietario. **Asegúrese de descargar y leer el manual del propietario antes de operar la máquina por primera vez.**
2. Lea toda la información en la sección de seguridad de este documento y todos los manuales de usuario relacionados antes de operar la máquina.
3. Realice los procedimientos descritos en esta guía de inicio rápido antes de operar la máquina.

Contacto:

Si tiene alguna pregunta sobre el desempaque, ensamble o uso de su lavadora a presión, tenga a mano su número de modelo y número de serie y comuníquese con atención al cliente al **1-877-362-4271** o por correo electrónico cservice@fna-group.com.

Renuncias de responsabilidad:

- Toda la información en esta guía se basó en la información más reciente del producto disponible al momento de la impresión.
- Esta guía puede cubrir más de una máquina. Los dibujos de esta guía se deben usar únicamente para referencia. Pueden haber diferencias entre su producto y las imágenes, dibujos y/o diagramas usados en esta guía.
- Como un compromiso continuo para mejorar la calidad, el fabricante se reserva el derecho de actualizar, cambiar y / o mejorar el (los) producto(s) cubierto(s) en esta guía en cualquier momento, sin previo aviso, y sin incurrir en ninguna obligación. Por lo tanto, el (los) producto(s) que cubre(n) esta guía puede(n) diferir ligeramente de los mostrados.

Seguridad:

NOTA: Asegúrese de entender la información de seguridad indicada a continuación. Cada casilla contiene una de tres palabras: ADVERTENCIA, PRECAUCIÓN, o AVISO, cada una de estas palabras indica un nivel diferente de severidad de peligro y es seguida por información sobre peligros específicos, las consecuencias de los peligros e instrucciones sobre cómo evitarlos. La omisión en atender estos símbolos y la información provista con ellos podría resultar en daño a la propiedad, lesiones y/o la muerte.



ADVERTENCIA:

Indica una situación potencialmente peligrosa que, si no se evita, podría provocar daños a la propiedad, lesiones graves y/o la muerte.



PRECAUCION:

Indica una situación peligrosa que, si no se evita, podría provocar daños a la propiedad y/o lesiones menores a moderadas.

AVISO

Indica información que se considera importante pero no está relacionada directamente con un peligro.



ADVERTENCIA:

LISTA DE VERIFICACIÓN DE OPERACIÓN

Intentar arrancar el motor incorrectamente o usar la lavadora a presión incorrectamente puede resultar en daño al motor y/o lavadora a presión, y puede causar lesiones serias o la muerte. Para evitar estos peligros, asegúrese de leer, comprender y seguir los pasos descritos en la sección LISTA DE VERIFICACIÓN DE OPERACIÓN del manual del propietario antes de arrancar el motor, y siga todas las pautas para el uso adecuado de la lavadora a presión.



ADVERTENCIA:

OPERACIÓN SIN CAPACITACIÓN

Las personas sin capacitación, niños pequeños, y mascotas se pueden lesionar seriamente o morir si se permite que operen incorrectamente o jueguen con una lavadora a presión en operación. Para evitar estos peligros, asegúrese que cualquier persona que opere la lavadora a presión reciba instrucciones adecuadas, entienda la operación segura, y haya leído el manual del propietario antes de operar este producto. No permita que niños operen la lavadora a presión sin supervisión de los padres. Mantenga a los niños pequeños y mascotas alejados de la lavadora a presión mientras esté en operación. Siempre apague la lavadora a presión antes de abandonar el área.

AVISO

DAÑO DE LA BOMBA

Cerrar el suministro de agua a su bomba con el motor en operación dañará la bomba. Los daños causados por operar la bomba sin agua no están cubiertos por la garantía. Para evitar este peligro, apague siempre el motor antes de cerrar el suministro de agua.



ADVERTENCIA:

PARTES MÓVILES

Este producto tiene muchas partes que se mueven a altas velocidades. Las partes móviles pueden causar lesiones por aplastamiento, fracturas, laceraciones severas, y/o amputaciones traumáticas. Para evitar lesiones, nunca coloque los dedos, manos, pies, u otras partes del cuerpo cerca del motor en operación. Nunca opere el productor con las cubiertas, aros de refuerzo u otras protecciones retirados. No use ropa holgada, cordones que cuelguen, o cualquier otro artículo que cuelgue que se pudiera enredar en las partes móviles durante la operación. Ate el cabello largo y quítese las joyas antes de operar.

AVISO

Este aparato no está diseñado para ser utilizado por personas (incluyendo niños) con capacidades físicas, sensoriales o mentales reducidas, o falta de experiencia y conocimiento, a menos que hayan recibido supervisión o instrucciones sobre el uso del aparato por parte de una persona responsable de su seguridad.

Los niños deben ser supervisados para asegurarse que no jueguen con el aparato.



ADVERTENCIA:

LÍQUIDOS VOLÁTILES

El lavado a presión con líquidos volátiles, inflamables o corrosivos podría causar daños, incendio o explosión en la lavadora a presión y provocar lesiones graves y/o la muerte. Para evitar estos peligros, use únicamente jabones y productos químicos aprobados, no intente lavar a presión con líquidos volátiles, inflamables o corrosivos y NUNCA use blanqueador.



ADVERTENCIA:

INSPECCIÓN

La falla en revisar este producto y antes del uso podría resultar en daño al producto, lesiones serias y/o la muerte. Para evitar estos peligros, revise la lavadora a presión antes de cada uso. Verifique si hay partes sueltas o dañadas, señales de fugas de aceite o combustible, protecciones faltantes, ventilas de enfriamiento obstruidas, o cualquier otra condición que pueda afectar la operación adecuada. Repare o reemplace todas las partes dañadas o defectuosas y mantenga todas las protecciones de seguridad en su lugar y en buenas condiciones de operación antes de usar la lavadora a presión.

AVISO

PURGA DE BOMBA

Operar una bomba de lavadora a presión sin agua dañará gravemente los sellos de la bomba y otros componentes internos. Para evitar este peligro, asegúrese que el suministro de agua sea ininterrumpido, proporcione por lo menos 5 GPM a 20 PSI y siempre purgue el aire de la bomba de la lavadora a presión antes de arrancar el motor.

Consulte la sección "Ensamble / Conexión de mangueras" de esta guía de inicio rápido para aprender a purgar el aire de la bomba.



ADVERTENCIA:

LESIÓN POR INYECCIÓN

Las altas presiones creadas por una lavadora a presión pueden causar lesiones por inyección de líquido, laceraciones graves, amputaciones y/o la muerte. Para evitar estos peligros, siempre apunte la pistola rociadora y la lanza en una dirección segura cuando use una lavadora a presión y nunca intente tocar una fuga en una manguera o accesorio de alta presión.

AVISO

DAÑO DE LA BOMBA

Operar la lavadora a presión durante más de dos minutos sin apretar el gatillo de la pistola rociadora sobrecalentará la bomba y posiblemente causará daños. La válvula de alivio térmico se abrirá y rociará agua para ayudar a enfriar la bomba a medida que se sobrecalienta. Para evitar el sobrecalentamiento de la bomba, apague la máquina si no la va a utilizar durante más de dos minutos.

AVISO

DAÑO POR CONGELACIÓN

Siempre que la lavadora a presión pueda experimentar temperaturas bajo cero, es necesario drenar el agua restante de la bomba, la manguera de alta presión y el ensamble de la pistola rociadora. Drene la manguera, la pistola rociadora y la bomba como se explica en el Manual de uso y cuidado de la lavadora a presión. Se sugiere purgar la bomba de agua usando Pump Guard de Simpson® o un protector de bomba equivalente.

AVISO

LIMPIEZA

El agua puede dañar los componentes del motor de la lavadora a presión si se deja entrar a través de las ranuras de enfriamiento u otros orificios. Los daños causados por la entrada de agua no están cubiertos por la garantía. Para evitar daños por agua en el motor, no use una lavadora a presión, manguera de jardín o cualquier otra fuente de agua corriente para limpiar el motor de la lavadora a presión, y nunca sumerja el motor de la lavadora a presión en ningún líquido.

AVISO

LIMPIADORES QUÍMICOS

El uso de limpiadores químicos y/o líquidos corrosivos puede dañar los sellos y los componentes internos de la lavadora a presión. Los daños causados por limpiadores químicos y líquidos corrosivos no están cubiertos por la garantía. Para evitar estos peligros, sólo use productos químicos de limpieza aprobados, nunca use blanqueador y siempre deje correr agua limpia a través de la lavadora a presión después de usar productos químicos de limpieza.

AVISO

DAÑO POR ROCÍO

El rociado de alta presión puede dañar las plantas y otras superficies. Para evitar dañar las plantas, cúbralas antes de rociar cerca de ellas. Para evitar dañar superficies. Consulte la tabla de Selección de boquillas en este manual para conocer la boquilla correcta y las superficies de prueba antes de rociar para asegurarse que sean lo suficientemente fuertes como para resistir el rociado de alta presión.

Desempaque:

1. Coloque el cartón de envío sobre una superficie sólida y plana.
2. Corte con cuidado la parte superior de la caja para abrirla.
3. Corte con cuidado cada esquina de la caja de arriba a abajo.
4. Coloque cada lado de la caja de cartón en el suelo.
5. Retire todo del cartón.

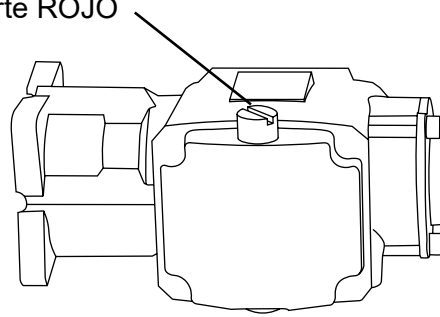
Ensamble / Conexión de mangueras: **IMPORTANTE!**

2. (Si corresponde) Agregue la tapa del respiradero de la bomba.

Hay un tapón de transporte ROJO en la bomba que debe reemplazarse con una tapa de ventilación NEGRA. La tapa es fácil de reemplazar con los siguientes pasos:

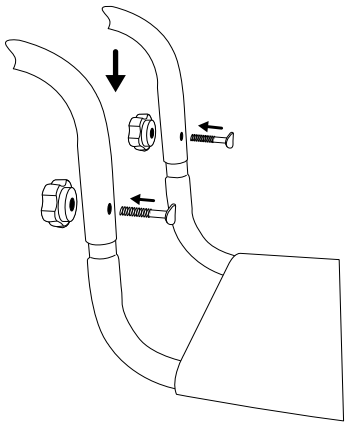
1. Con un destornillador plano, quite el tapón ROJO de envío de la parte superior de la bomba.
2. Enrosque a mano la tapa NEGRA del respiradero en la bomba.
3. Aprieta la tapa con los dedos.

Tapón de transporte ROJO

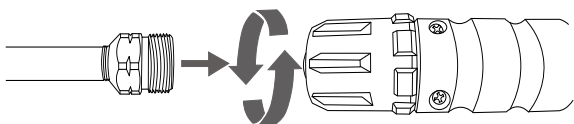


Tapón de ventilación NEGRO

1. Deslice la manija en el marco y entonces asegúrela con las perillas y pernos incluidos.

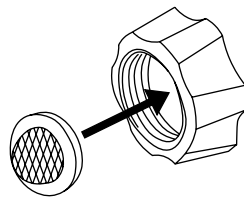


3. Asegure la lanza a la pistola girando cuidadosamente el acoplador sobre la pistola rociadora hasta que el acoplador deje de girar. No apriete en acceso. La mayoría de las roscas en la lanza no serán visibles si la lanza y la pistola se ensamblan adecuadamente. Tenga cuidado de no trasroscar la pistola y la lanza.

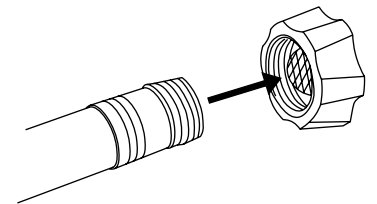


¡ADVERTENCIA! Las roscas del acoplador de la lanza y la pistola se pueden trasroscar fácilmente, lo que resulta en un montaje inadecuado. Un montaje incorrecto de la pistola y la lanza puede provocar lesiones personales. No lo use si las roscas del acoplador de la pistola y/o la lanza están trasroscadas.

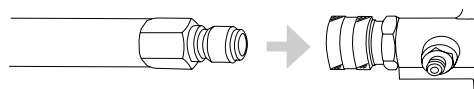
4. Asegúrese que la rejilla de entrada esté limpia, dentro de la entrada de la bomba y que tenga el lado convexo hacia afuera.



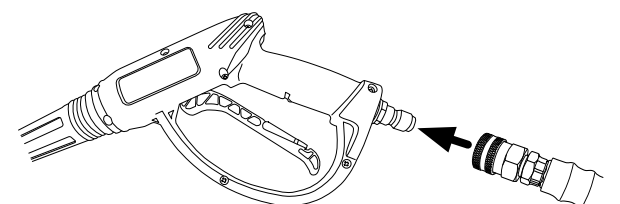
5. Abra el suministro de agua y déjelo funcionar durante 30 segundos para purgar la suciedad o los desechos de la manguera de suministro. Después, cierre el suministro de agua y enrosque la manguera de suministro de agua en la entrada de la bomba.

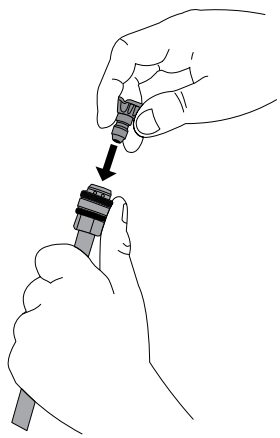


6. Inserte el enchufe macho de conexión rápida (QC) en la manguera de alta presión en la salida hembra QC de la bomba o enrosque la manguera de alta presión en la salida de la bomba.



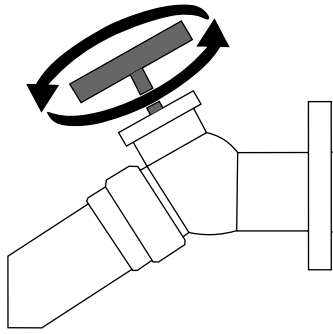
7. Inserte el enchufe QC macho de la pistola rociadora en el conector QC hembra de la manguera de alta presión.



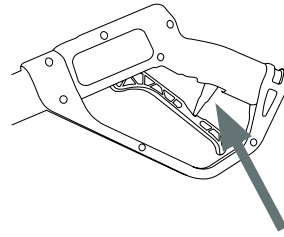


8. Seleccione la boquilla correcta para su trabajo de limpieza de acuerdo con la tabla de selección de boquillas en este documento e instálela en la lanza jalando el acoplador de conexión rápida hacia atrás, insertando la boquilla y después soltando el acoplador permitiendo que vuelva a su lugar.

9. Abra completamente el grifo de agua. No haga funcionar la unidad sin el suministro de agua conectado y encendido. Use agua fría solamente.



10. Abra el suministro de agua, apunte la pistola rociadora en una dirección segura, apriete y mantenga presionado el gatillo durante por lo menos 30 segundos o hasta que el agua fluya de manera constante y se purgue todo el aire de la bomba y las mangueras. Cuando haya terminado, active el seguro del gatillo.



Se muestra el gatillo en la posición bloqueada. Recuerde siempre bloquear el gatillo cuando no esté en uso.

⚠ PELIGRO:

PELIGRO DE ELECTROCUCIÓN

La conexión incorrecta del conductor de puesta a tierra del equipo puede resultar en riesgo de electrocución. Consulte con un electricista calificado si tiene dudas sobre si el receptáculo está correctamente conectado a tierra. **NO** modifique el enchufe proporcionado con este producto. Si no encaja en el receptáculo, haga que un electricista calificado instale un receptáculo adecuado. **NO** utilice ningún tipo de adaptador con este producto.

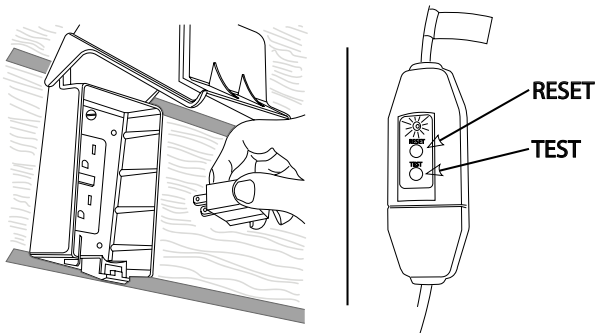
⚠ PRECAUCION:

FUENTE DE ALIMENTACIÓN

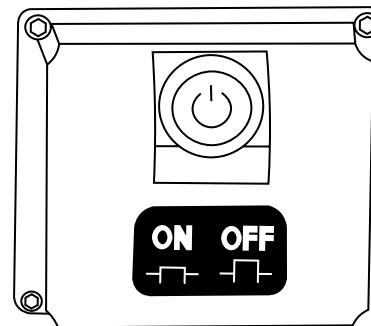
Esta lavadora a presión solo debe usarse con un receptáculo/enchufe dedicado de 120 V CA, 60 Hz a 15 o 20 amperios. Cualquier otro electrodoméstico en el circuito debe apagarse o desenchufarse cuando se usa la lavadora a presión. Nunca use la lavadora a presión con un adaptador que pueda generar un voltaje más alto o una corriente excesiva. Una corriente excesiva puede disparar el disyuntor. Consulte a un electricista calificado si no está seguro de la capacidad del receptáculo de suministro de energía deseado para alimentar de manera segura esta lavadora a presión.

NO SE RECOMIENDA UTILIZAR UN CORDÓN DE EXTENSIÓN. Sin embargo, si se requiere un cable de extensión, debe ser un **CABLE DE 3 CONDUCTORES CLASIFICADO PARA EXTERIORES**, que no tenga más de 50 pies (15 m) de largo y tenga un mínimo de 14 AWG (2,5 mm²) de conductores. Siempre desenrolle el cable de extensión cuando esté en uso. **NO** use un cable de extensión que tenga la clavija de conexión a tierra dañada o faltante.

11. Enchufe el GFCI en el receptáculo de energía. Presione firmemente y suelte el botón PRUEBA, luego presione y suelte el botón REINICIAR. La luz del GFCI debe encenderse.

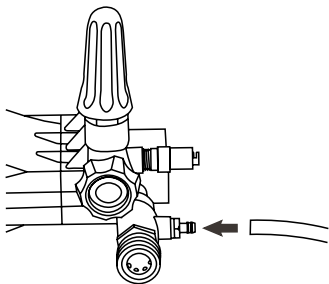


12. Presione el botón de ENCENDIDO/APAGADO en la posición de ENCENDIDO. Apriete el gatillo para iniciar el lavado a presión.



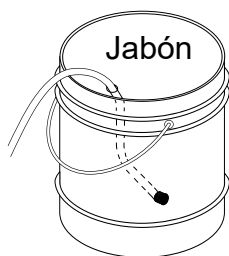
Uso de productos químicos:

1. Conecte el extremo abierto de la manguera de jabón a la conexión de púas de la bomba.

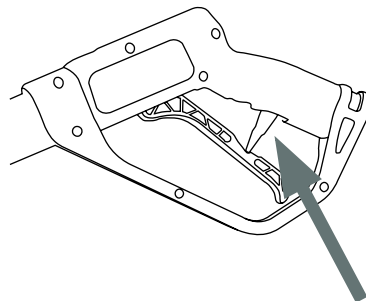


2. Coloque el extremo filtrado de la manguera de jabón en un recipiente de jabón.

NOTA: Use sólo jabones aprobados para uso con lavadoras a presión.

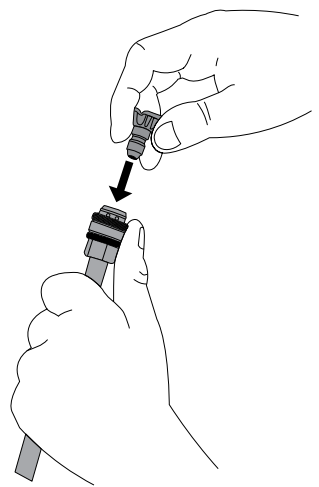


3. Si el motor está funcionando, asegúrese que el bloqueo del gatillo esté en la posición bloqueada antes de retirar e instalar las boquillas.



4. Inserte la boquilla negra en la varilla rociadora.

NOTA: Los jabones no se filtrarán si la boquilla de jabón negra no está instalada en la varilla rociadora.



NOTA: Después de usar jabón, coloque el extremo filtrado de la manguera de jabón en un recipiente con agua limpia y opere la lavadora a presión extrayendo agua limpia a través de la manguera y la bomba hasta que el sistema esté completamente enjuagado. Si queda jabón u otros productos químicos en la bomba, la bomba podría dañarse. La garantía no cubre los daños a la bomba por residuos de jabón o químicos.

Selección de boquilla:

Color	Patrón de rociado	Usos	Superficies
Rojo	0°	Limpieza de puntos de superficies duras, sin pintar y áreas de alto alcance	Metal y hormigón sin pintar NO usar en madera
Amarillo	15°	Limpieza intensa de superficies sin pintar	Parrillas, entradas para vehículos, pasillos de concreto y ladrillo, bloque y estuco sin pintar
Verde	25°	Boquilla de limpieza estándar para la mayoría de aplicaciones	Herramientas de jardín, aceras, muebles de jardín, revestimientos sin pintar, estuco, canaletas, aleros, superficies de concreto y ladrillo
Blanco	40°	Limpieza de superficies pintadas o delicadas	Automóviles, camionetas, vehículos recreativos, barcos, madera, ladrillo pintado, estuco pintado, vinilo y revestimiento pintado
Negro	Jabón	Aplicación de soluciones de limpieza	Seguro en todas las superficies. Siempre verifique la compatibilidad de las soluciones de limpieza antes de su uso.

NOTA: Siempre asegúrese que la boquilla esté instalada correctamente jalando de ella después de insertarla en el conector rápido antes de usar la lavadora a presión.

Consejos de lavado a presión:

1. Ajuste el bloqueo del gatillo en la pistola rociadora cuando no esté en uso.
2. Un rocío más ancho equivale a una limpieza más rápida, mientras que un rocío más estrecho equivale a una limpieza más profunda.
3. No apunte la boquilla directamente a una superficie. Sostenga la varita en un ángulo de 45 grados con respecto a la superficie y a una distancia que limpie bien sin causar daños.
4. Mantenga la boquilla a unos 4 pies de distancia del revestimiento para evitar daños a las superficies.
5. Lave el revestimiento comenzando por la parte inferior y avanzando hacia arriba, luego enjuague de arriba hacia abajo.
6. Evite introducir agua detrás del revestimiento.
7. Para una limpieza uniforme, use pasos superpuestos.
8. Trabaje en áreas más pequeñas y no deje que el jabón se seque en las superficies.
9. Cuando sea posible que haya temperaturas bajo cero, elimine cualquier resto de agua de la manguera de alta presión, el ensamble de la pistola rociadora y la bomba como se indica en el Manual de uso y cuidado de la lavadora a presión. Sugerimos proteger la bomba usando Pump Guard de Simpson®.