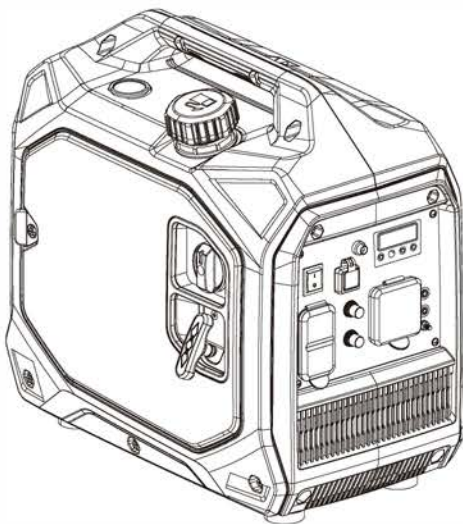




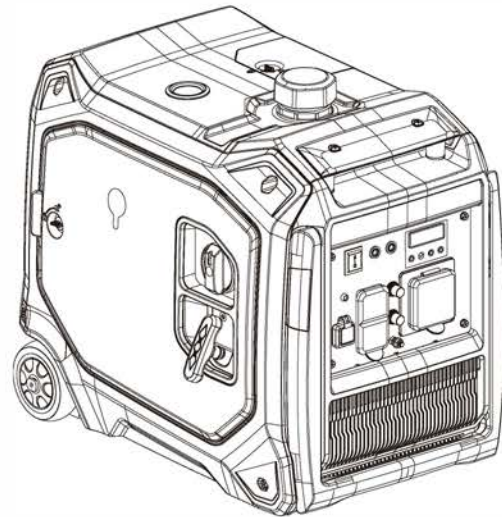
INVERTER GENERATOR

70127/70126

Instruction Manual



70127



70126



**NOT FOR SALE IN THE
STATE OF CALIFORNIA**

READ THIS MANUAL CAREFULLY BEFORE OPERATION. Failure to follow the instructions and safety precautions in this manual can result in property damage, serious injury and/or death.

If your generator is not working or if there are parts missing or broken, please DO NOT RETURN IT TO THE PLACE OF PURCHASE. Contact our Customer Service Department by calling 1-877-362-4271 or emailing cservice@fna-group.com

Contents

Introduction	2	Technical Data	39-40
Safety Information	3- 15	Recycling And Disposal	41
Understand Your Machine.....	3	Limited Warranty	42-43
Personal Safety.....	3-4	Product Record	44
Inspect Your Machine.....	4		
Fuel Safety.....	5-6		
Work Area.....	7		
During Use.....	8		
Batteries (if equipped).....	9		
Electricity	9-10		
Noise.....	11		
Residual Risks.....	11		
Intended Use.....	12		
Personal Protective Equipment.....	13		
Symbols on the Machine.....	14-15		
Unboxing	16		
Features	17-18		
Pre-Operation Checks	19-23		
Propane operation.....	19		
Oil Level.....	20		
Fuel Level.....	21		
Connecting the Battery.....	21		
Air Filter Checks.....	22		
Electrical Unloading.....	23		
Machine Grounding.....	23		
Operation	24-28		
Starting.....	24		
Stopping.....	25		
Connecting Appliances.....	26		
Generator Status Indicators.....	27		
CO Monitor.....	28		
Maintenance & Care	29-35		
General Maintenance.....	29		
Storage.....	29		
Service Schedule.....	30		
Oil Maintenance.....	31		
Air Filter Maintenance.....	32		
Spark Plug Maintenance.....	33		
Spark Arrestor Maintenance.....	34		
Transportation & Storage.....	35		
Troubleshooting	36-38		
Machine Troubleshooting.....	36		
70127 Wiring Diagram	38		
70126 Wiring Diagram.....	37		

Introduction

Thank you for purchasing your SIMPSON inverter generator

Important!



WARNING: READ THE INSTRUCTION BOOKLET THOROUGHLY BEFORE USING THE MACHINE. Keep for future reference and pass it on if the machine is loaned or sold to another user.

This manual has been produced by FNA Group and should be kept with the product. Please read and understand these instructions before you use your product. Failure to do this may result in personal injury or damage to the product.

The safety precautions and warnings are to ensure your safety and protect you from harm or damage to the product.

All information in this publication was based on the latest product information available at the time of printing. The FNA Group reserves the right to change, alter, and/or improve the product and this document at any time, without notice, and without incurring any obligation.

Safety Information

Understand Your Machine

- **WARNING!** You must read these instructions carefully before operating the machine. Make sure that you are familiar with the controls and properly operate the machine. You must learn how to stop the machine quickly. If you do not follow the warnings and instructions, it may result in fire and/or serious injury. Make sure to save all warnings and instructions for future reference.
- Read this manual and labels affixed to the machine to understand its limitations and potential hazards.
- Be thoroughly familiar with the controls and their proper operation. Know how to stop the machine and disengage the controls quickly.
- If the unit is to be used by someone other than original purchaser, or is to be loaned, rented, or sold, always provide this manual and any needed safety training before operation. The user can prevent and is responsible for accidents or injuries that may occur to themselves, to other people, or to property.
- Know how to stop the machine quickly in case of emergency. Understand the use of all controls.
- ALL MAINTENANCE other than that listed in this manual, should be carried out by professionally trained and certified personnel.

Personal Safety

- **WARNING!** Never allow children or people unfamiliar with these instructions to use the product. Local regulations can restrict the minimum age of the operator.
- Keep children, pets, and other people not using the unit away from the work area at least 50ft (15m). Be alert and shut off the unit if anyone enters work area. Keep children under the watchful care of a responsible adult.
- Stay alert, watch what you are doing and use common sense when operating the machine. Never operate the machine when unwell or tired, or if you have taken alcohol, medicine, drugs or any substances which may slow your reflexes and compromise judgment. A moment of inattention while operating the machine may result in serious personal injury.
- Appropriate Personal Protective Equipment (PPE), **MUST** be worn at all times when operating or repairing the machine. Always wear anti-slip and resistant work footwear and long trousers while using the machine. Do not use the machine when barefoot, wearing sandals or similar lightweight footwear. Do not wear chains, bracelets or clothing that is loose fitting or hanging ties or cords. Tie long hair back. Always wear protective earplugs. Loose clothes, jewellery, or long hair can be caught in moving parts. Protect eyes, face, and head from objects that may be thrown from the unit. Always wear safety goggles or safety glasses with side shields when operating.
- Always keep hands and feet away from all moving parts during operation. Moving parts can cut or crush body parts. Always keep hands and feet away from all pinch points.

Safety Information

Personal Safety (Continued)

- Do not touch parts that might be hot from operation. Allow parts to cool before attempting to maintain, adjust, or service.
- Do not overreach. Keep proper footing and balance at all times. This enables better control of the machine in unexpected situations. Extending your body too far can result in a loss of balance and you may fall which will result in injury.
- Never place any part of your body where it would be in danger if movement should occur during assembly, installation, and operation, maintenance, repairing or moving.
- Keep in mind that the operator or user is responsible for accidents, hazards or unexpected events involving the machine that occur to other people or their property. It is the responsibility of the user to assess the potential risk of the area where work is being carried out. The operator or user must take all necessary precautions to ensure their own safety and that of others, especially on slopes or rough, slippery and unstable ground.

Inspect Your Machine

- Check your machine before starting it. Keep guards in place and in working order. Make sure all nuts, bolts, etc., are securely tightened.
- You must check the general condition of the machine before use.
- Never operate the machine when it is in need of repair or is in poor mechanical condition. Replace damaged, missing, or failed parts before using it. Check for fuel leaks. Keep the machine in safe working condition.
- Do not use the machine if the machine's switch does not turn off the machine when running. Any machine that can't be controlled with the switch is dangerous and must be replaced.
- If the machine should start to vibrate abnormally, stop the machine and check immediately for the cause. Vibration is generally a warning sign of trouble.
- Avoid accidental starting. Be sure the switch is off before transporting the machine or performing any maintenance or service on the unit. Transporting or performing maintenance or service on a machine with its switch on invites accidents.
- Do not tamper with or disable safety systems.
- Only use manufacturer-recommended attachments.
- Before using, always visually inspect to see that the tools are not worn out or damaged. Replace worn out or damaged elements and bolts in set to preserve balance.
- Keep the machine in good operating condition. Operating the machine in poor or questionable condition could result in serious injury.
- Be sure all safety devices are in working order and warning labels are in place. These items are installed for your safety.

Safety Information

Fuel Safety



CAUTION! ALL FUELS ARE HIGHLY FLAMMABLE & GASOLINE VAPOR IS EXPLOSIVE. TAKE EXTREME CARE WHEN HANDLING FUEL. KEEP FUEL OUT OF REACH OF CHILDREN.

- NEVER smoke when handling fuel.
- ALWAYS avoid inhaling fumes.
- ALWAYS carry fuel in the correct and clearly marked container.
- ALWAYS wear correct, suitable and fit for purpose Personal Protective Equipment (PPE), suggested items are but not limited to safety gloves and overalls.
- To avoid sparking or arcing, keep grounded conductive objects such as tools away from exposed, live electrical parts and connections. These events could ignite fumes or vapours.
- Do not operate the machine with known leaks in the fuel system.
- Fire hazard - keep fuel away from all sources of ignition for example heaters, lamps, sparks from grinding or welding.
- DO NOT carry out hot work on tanks that have contained fuel.
- ALWAYS keep the work area tidy.
- ALWAYS dispose of waste fuels correctly.
- Serious personal injury can occur when gasoline is spilled on yourself or your clothes. Rinse your skin and change your clothes immediately.

Spilled Fuel

- If you have spilled fuel, make sure you do not attempt to ignite the engine but move the machine away from the area of spilled fuel and avoid creating any source of ignition until the fuel has evaporated and fuel vapors have dissipated.
- When fuel is spilled on yourself or your clothes, wash your skin and change clothes immediately.
- ALWAYS clean up spills promptly using absorbent granules and a lidded bin.

Safety Information

Fueling / Defueling

- ALWAYS add or remove fuel in a well-ventilated area outside of buildings. Use a funnel to add fuel, only outdoors. Do not smoke during this and each time fuel is handled.
- Add fuel before starting the engine, never remove the fuel tank cap or add fuel while the engine is running or when it is hot.
- When removing fuel, ALWAYS use a proper fuel container.
- Never overfill the fuel tank. Engine heat can cause fuel to expand, never fill the tank to more than 1/2" below the bottom of the filler neck. This will provide space for fuel expansion.
- When refilling or draining the fuel tank, use an approved fuel storage container while in a clean, well-ventilated outdoor area. While adding fuel or operating the unit, do not smoke, and stay away from sparks, open flames, or other sources of ignition near the area of operation.
- Always stop the engine and allow it to cool before filling the fuel tank. Never remove the cap of the fuel tank or add fuel while the engine is running or when the engine is hot.
- Loosen the fuel tank cap slowly to relieve any pressure in the tank.
- ALWAYS keep the handles dry, clean and free of oil and fuel.
- After fueling, ensure to tighten the cap securely.

Storage

- Store fuel in containers specifically designed and approved for fuel storage.
- Store fuel in a cool, well-ventilated area, safely away from sparks, open flames, or other sources of ignition.
- Never store fuel or a machine with fuel in the tank inside a building where fumes may reach a spark, open flame, or any other source of ignition (such as a water heater, furnace, or clothes dryer). Allow the engine to cool before storing in any enclosure.
- Replace all fuel tank and container caps securely and wipe up spilled fuel. Never operate the unit without the fuel cap securely in place.

Safety Information

Work Area

- Keep people, children and animals away from the working area.
- Operate on flat, level ground.
- DO NOT work on wet ground. If there has been heavy rain on the working site, wait until the ground has dried up.
- Do not work in the rain, when there is a thunderstorm or lightning risk, at times of strong or gale force winds, or at any other times when the weather conditions might make it unsafe to use this product. If there is bad weather conditions, do not use the machine.
- DO NOT operate power tools in explosive atmospheres, such as in the presence of flammable liquids, gases or dust. Power tools may create sparks, which may ignite the dust or fumes.
- This machine is only for outdoor use in a well-ventilated area.
- Place generator at least five feet from any surface including exterior walls, vinyl siding, and doors and windows.

Safety Information

During Use

- Never attempt to make any adjustments, while the machine is running.
- You must switch off the machine:
 - Before checking or working on the machine.
 - When transporting the machine.
 - Whenever you leave the machine unattended.
 - If the machine starts to vibrate abnormally.
- **WARNING!** If something breaks or an accident happens whilst working, you must turn off the machine immediately and move the machine away to prevent further damage. If an accident happens with injuries or third parties are injured, carry out the first aid measures most suitable for the situation immediately and contact the medical authorities for any necessary health care. Carefully remove any debris that might cause damage or harm persons or animals should it not be seen.
- Keep extension cord away from cutting elements.
- Never operate the machine with damaged guards or without the guard in place.

Safety Information

Batteries (if equipped)

Batteries present a risk if they become damaged by the possible leaking of electrolyte. This electrolyte is an acid and can cause serious burn injuries. Care should be taken when working on or near them. **NOTE:** the electrolyte may be in a liquid or gel form.

Should you come in to contact with electrolyte you should;

- Remove all clothing contaminated with electrolyte. If you cannot remove then saturate them in water.
- Get medical assistance as soon as possible.

You must advise the medical staff of the type of acid.

- Lead/acid battery = dilute sulphuric acid.
- Nickel/cadmium = potassium hydroxide alkali electrolyte.
- Use fresh running water to wash off excess electrolyte, continue this until medical assistance arrives. Make sure that you do not wash the electrolyte to another part of your body or face.
- If electrolyte comes in to contact with eyes the electrolyte needs to be immediately washed away with large amounts of water. Make sure that you do not wash the electrolyte to another part of your face or body.
- Gasses from charging batteries are highly flammable and great care should be taken to charge in well ventilated areas.



- There is an explosion risk if the battery terminals are short circuited, when connecting/disconnecting ALWAYS exercise great care so that the terminals or battery leads are NOT allowed to touch and cause a spark. ALWAYS use suitable insulated tools.

Electricity

DANGER : ELECTRICITY CAN KILL – NEVER WORK ON LIVE / ENERGISED EQUIPMENT.



- Prior to carrying out any maintenance work you MUST identify electrical isolation methods and isolate all electrical supplies.
- Prior to use and with all electrical supplies isolated, you MUST check all electrical cables, plugs and connectors for the following;
 - Are intact and have no signs of damage, to include but not limited to bare wires, chaffing, cuts and loose wiring.
 - If there are any signs of damage, the damaged item MUST be taken out of service until the damage has been repaired by an electrically competent person.
 - All trailing cables should be routed so as not to cause any kind of trip hazard.
 - NEVER work on or near electricity with wet hands, wet clothing and wet gloves.

Safety Information

Electricity (Continued)

- Power tools plug must match the outlet. Never modify the plug in any way. DO NOT use any adapter plugs with earthed (grounded) power tools. Unmodified plugs and matching outlets will reduce risk of electric shock.
- DO NOT expose this power tool to rain or wet conditions. Water entering a power tool will increase the risk of electric shock. DO NOT abuse the power cord. Never use the cord for carrying, pulling or unplugging the power tool. Keep the cord away from heat, oil and sharp edges or moving parts. Damaged or entangled cords increase the risk of electric shock. When operating a power tool, use an extension cord suitable for outdoor use. Use of a cord suitable for outdoor use reduces the risk of electric shock.
- Avoid body contact with earthed or grounded surfaces such as pipes, radiators, ranges and refrigerators. There is an increased risk of electric shock if your body is earthed or grounded.
- Do not connect devices with worn, frayed, bare, or otherwise damaged electrical cords to the generator. Electrical shorts caused by damaged wiring can damage the generator, and touching live damaged electrical cords or bare wires will cause serious injury or death. Connect devices directly to the generator whenever possible. If extension cords are required, they must be rated for outside usage and are of a current carrying capacity that equals or exceeds the rating of the circuit breaker.
- Before use, check that the extension cord is in good condition. When using an extension cord, make sure to use one heavy enough to carry the current your product will draw. An undersized cord will cause a drop in line voltage resulting in loss of power and overheating.
- Do not allow any part of the machine to make contact with water while it is in operation. If the appliance becomes wet while turned off, wipe dry before starting. Do not touch the appliance with wet hands or while standing in water. Wearing rubber boots offers some protection.
- Before use, inspect the extension cord (if used) and the power supply cord of the device to be used for damage. Damaged extension cords should be recycled and replaced with a new cord. Damaged power supply cords should be replaced by the device manufacturer or a qualified technician.

Safety Information

Noise (Where Applicable)

- The operating noise of the machine can damage your hearing. Wear protection such as earplug or earmuffs to protect your hearing. Long-term and regular users are advised to have hearing checked regularly. Be especially vigilant and cautious when wearing ear protection because your ability to hear alarm warnings will be reduced.
- Noise emissions for this equipment is unavoidable. Carry out noisy work at approved times and for certain periods. Limit the working time to a minimum. For your personal protection and protection of people working nearby it is also advisable for them to wear hearing protection.

Residual Risks

Even when tool is used as prescribed it is not possible to eliminate all residual risk factors. The following hazards may arise in connection with the tool's construction and design:

1. Damage to hearing if effective hearing protection is not worn.

▲ WARNING! This machine produces an electromagnetic field during operation. This field may under some circumstances interfere with active or passive medical implants. To reduce the risk of serious or fatal injury, we recommend persons with medical implants to consult their physician and the medical implant manufacturer before operating this machine.

Safety Information

Intended Use

The 70127 is rated for up to 3500 running watts and can withstand a peak starting wattage of 4375watts, while the 70126 is rated for up to 4200 running watts and can withstand a peak starting wattage of 5250 watts.

These machines are manufactured according to the latest safety requirements. These include automatically overload protection and low oil shut off. Every precaution is only effective when it is followed exactly.

Intended Use

This generator is to be used outside only. Never use the generator in an enclosed structure or a covered structure. Only use the generator outside in the open air.

User Types

This machine is intended for use by consumers, i.e. non professional operators. The machine is intended for "DIY" and domestic use only.

Improper Use

Any other usage not in keeping with the above mentioned ones may be hazardous and harm persons and/or damage things. Examples of improper use may include, but are not limited to:

- Power outputs over the specified maximum.
- Parallel use with non-identical generators
- Use involving large scale voltages

Safety Information

Personal Protective Equipment

Appropriate Personal Protective Equipment (PPE), MUST be worn at all times when operating or repairing the machine. No protective equipment can ensure 100% protection.

When selecting PPE, make sure it's CE marked and it suits the user in terms of size, fit, etc. If more than one item of PPE is worn at the same time, make sure they can be used together, e.g. wearing safety glasses may disturb the seal of a respirator, causing air leaks.



Hand Protection Must Be Worn

Protective electrically non-conductive gloves are highly recommended when working.



Foot Protection Must Be Worn

Non-skid heavy duty footwear are highly recommended when working.



Hearing Protection Must Be Worn

Suitable safety hearing protection is recommended.



Eye Protection Must Be Worn

Always wear safety glasses/goggles and/or face shields. Everyday eyeglasses have only impact resistant lenses; they are not safety glasses/goggles.



Protective Clothing Must Be Worn

Do not wear loose clothing, gloves, scarfs, neckties or jewellery (rings, wrist watches), which can be caught in moving parts.

Safety Information

! Symbols On The Machine

We have provided safety messages in this manual and on the machine. This information alerts you to potential hazards that could hurt you or others. Please read these messages carefully. However, we may not have listed all of the possible hazards, you must also use your own judgement.



To reduce the risk of injury, the user must read the instruction manual



This symbol is used throughout this manual to warn the user about potential risks. Please read & understand these sections before using the device.



Personal Protective Equipment (P.P.E.) to be worn during operation such as:

- Hand Protection
- Foot Protection
- Hearing Protection
- Eye Protection
- Protective Clothing



Do not dispose of the generator in normal trash. The unit should be taken to a recycling center that accepts outdoor power equipment.



Exhaust Gas Warning : Exhaust Gas from this machine is poisonous, NEVER operate in an unventilated area



Hot Surface Warning : During the operation of this machine, it becomes dangerously hot. Allow to cool before moving



Fire Risk Warning : Due to using flammable liquids, risk of fire is always present. NEVER refuel during operation.



Proximity Warning : Ensure during operation a 5ft boundary is observed.



Sound warning: This device has a sound level during operation peaking at 97dB. Hearing protection should be worn during prolonged operation.



Explosion warning: Before refueling, turn the generator off and allow it to cool for a few minutes. After fueling, wipe up any spills. Never refuel near open flames or while smoking.

Safety Information

⚠ Symbols On The Machine

We have provided safety messages in this manual and on the machine. This information alerts you to potential hazards that could hurt you or others. Please read these messages carefully. However, we may not have listed all of the possible hazards, you must also use your own judgement.



Water Exposure Warning : Never allow the machines to be exposed to rain or wet conditions.



Electrocution Warning : This machine is a potential source of electrical shock. Never expose to moisture, rain or snow. Do not operate with wet hands or feet.



Grounding Warning : Failure to properly ground this machine can result in electrocution.



Ground Location : This shows suitable areas where the machine can be connected to ground.

Carbon Monoxide Warning:



BREATHING IN CARBON MONOXIDE FUMES CAN CAUSE DEATH!
Using a generator indoors in an unventilated area **CAN KILL YOU IN MINUTES!** The exhaust fumes from machines contain Carbon Monoxide. This is a poisonous gas that you can't see or smell.

- NEVER use inside a building even IF the doors and windows are open.
- NEVER use inside a confined space such, as but not limited to, a house, garage, large vehicle, boat or tent.
- Never operate the machines near other machines which use flammable liquids as a fuel source.
- Only use the machine outside far away from open windows, doors and vents.

Unboxing

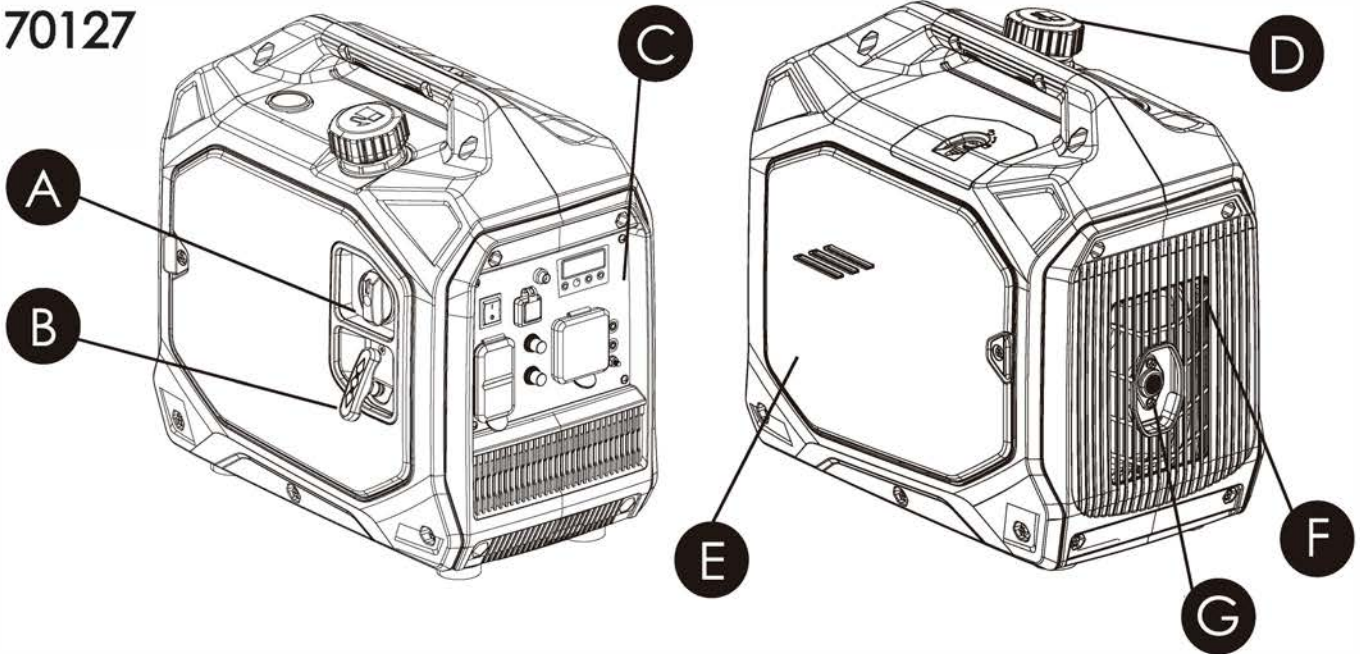
⚠ WARNING : Unboxing and assembling the machine should be done on a flat, surface with enough room. Disposal of the packaging should be done in accordance with the local regulations in force.

⚠ WARNING : Some of the packaging material may be harmful to children. Keep out of reach of children.

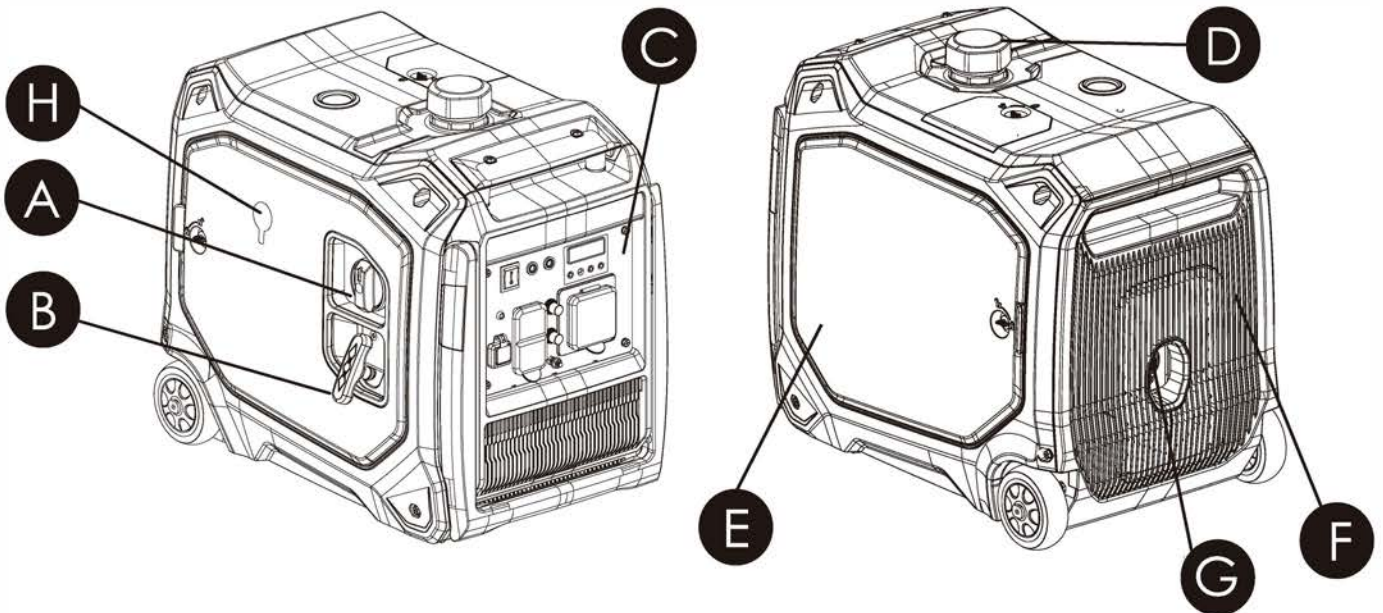
1. Carefully remove the product from the packaging and examine it for any sign of damage caused during shipping.
2. Lay the contents out and review them for damage. If there are parts missing or broken, please **DO NOT RETURN IT TO THE PLACE OF PURCHASE**. Contact our Customer Service Department by calling 1-877-362-4271 or emailing cservice@fna-group.com
3. You must keep the packaging material in case the machine needs to be returned or repaired.
4. Ensure that you have all the accessories and tools you need for assembly and operation including the suitable personal protective equipment.

Features

70127



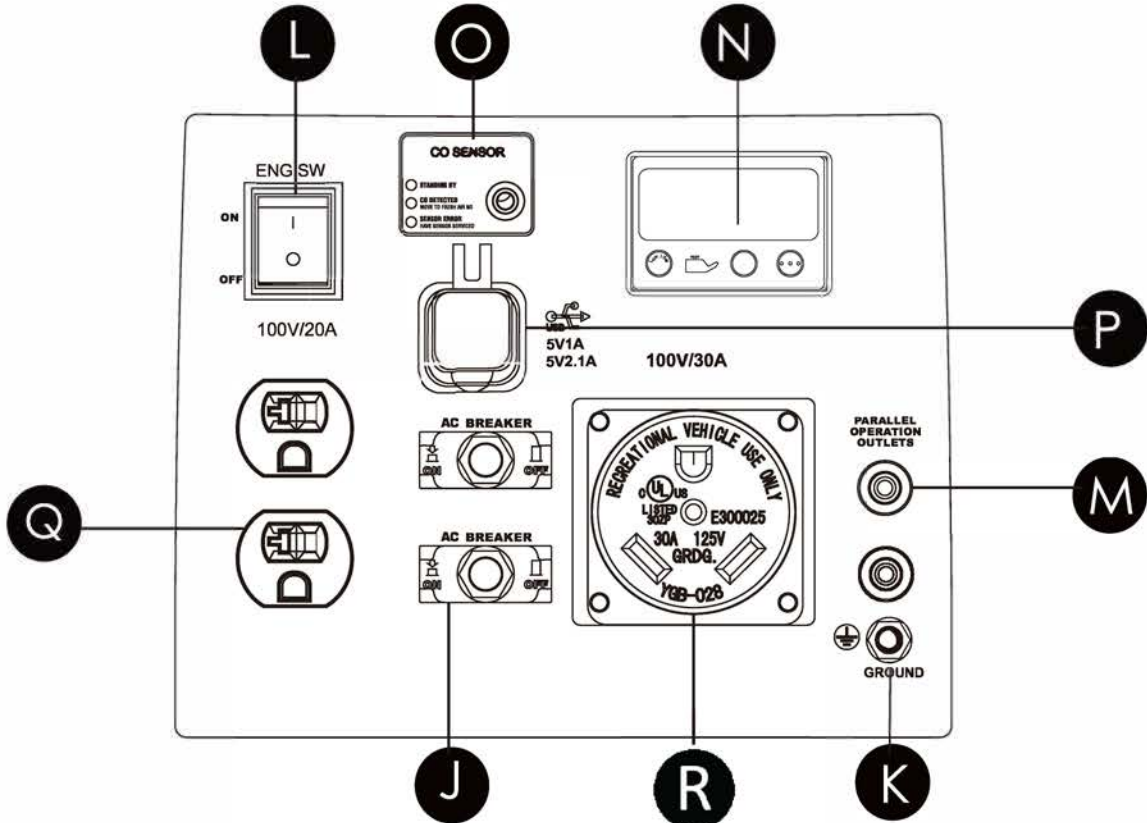
70126



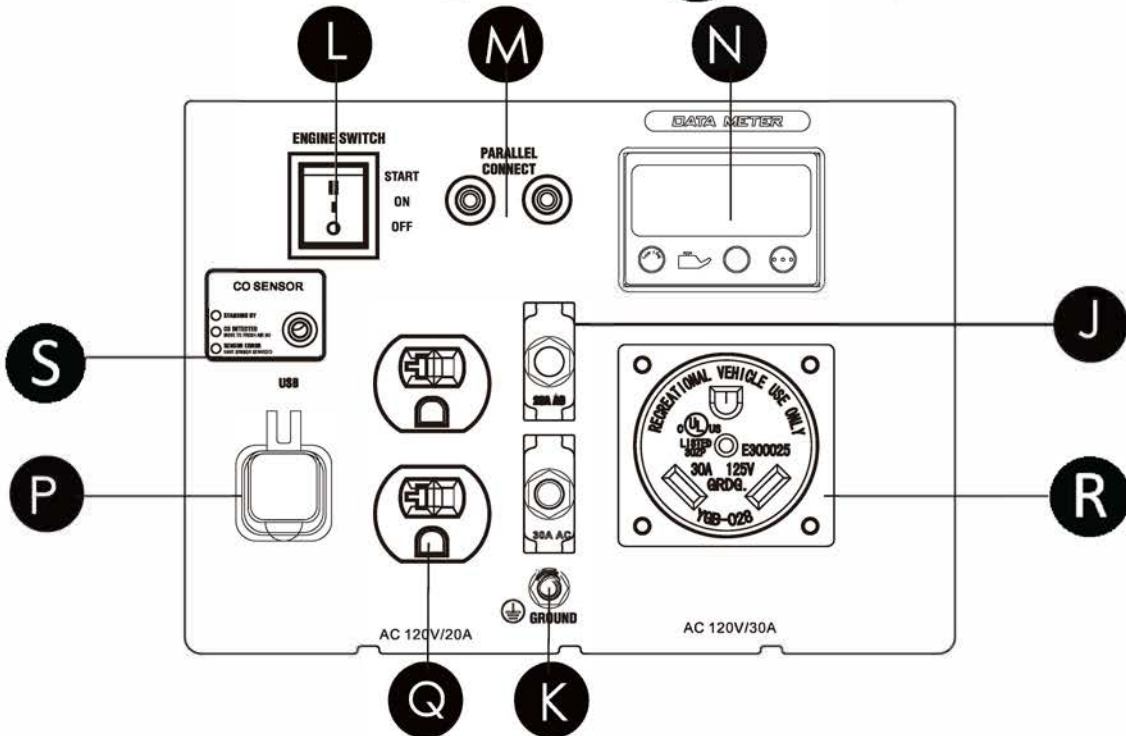
- A. Choke Control / Fuel Switch
- B. Recoil Starter Handle
- C. Control Panel
- D. Fuel Cap
- E. Maintenance Panel
 - Air Filter Maintenance Panel
 - Engine Oil Dipstick
 - Battery
- F. Rear Maintenance Panel
- G. Exhaust and Spark Arrester
- H. Liquid Propane (LP) Connection (70126 only)

Features

70127



70126



- J. AC breaker
- K. Ground terminal
- L. Engine ON/OFF/START (if equipped) switch
- M. Parallel connection
- N. Display monitor
- P. USB Type A port
- Q. NEMA 5-20R, 100 / 120V AC outlet

- R. NEMA TT-30R, 100 / 120V AC outlet
- S. Carbon Monoxide (CO) Sensor

Pre-Operation Checks

Propane operation (if equipped)

NOTICE

Propane (LP) gas is very flammable and can ignite spontaneously when mixed with air. ONLY modern design tanks must be used with this device that contain the following safety features:

- The tank must contain an Overfill Protection Device. These tanks will have a valve handle that is triangular in shape.
- The tank must have a pressure relief valve.
- The tank must contain identification that states it was manufactured to meet U.S. DOT and/or National Standard of Canada requirements.



! WARNING: FIRE AND EXPLOSION

- Never disconnect or connect a propane cylinder while the engine is running. Do not smoke while connecting the propane cylinder.
- Never store a propane cylinder inside a structure or in an area of extremely high heat.
- Never use a propane cylinder, regulator or hose if there are signs of damage.
- Do not store the propane cylinder close to the muffler of the generator or near any source of sparking/open flames.
- If you smell propane gas (rotten egg smell) at anytime during operation of the generator, turn the tank off and have the generator inspected by a certified technician before further use.

Connecting the propane tank

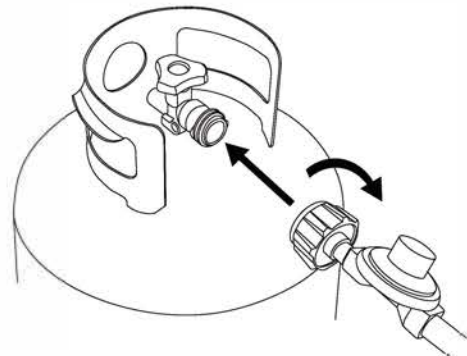
- Tightly connect the threaded end of the LPG hose to a propane tank.
- Tightly connect the quick-connect end of the LPG hose to the generator's LP connection. Gently tug on the LPG hose connection to make sure it is fully seated.
- Open the gas valve on the propane tank.

When the LPG hose is not connected, the default fuel for the generator set is gasoline.

When the LPG hose is connected, the generator set can only be operated and started using LPG fuel.

Note:

1. Do not switch fuels when the generator is powering precision electrical equipment. Please perform the fuel switch under no-load conditions and when the generator is not running.
2. When LPG is not used as fuel, ensure that the rubber plug of the LPG quick-connect interface is in a sealed state to prevent impurities from entering the gas passage, which may damage the generator and affect combustion.



Pre-Operation Checks

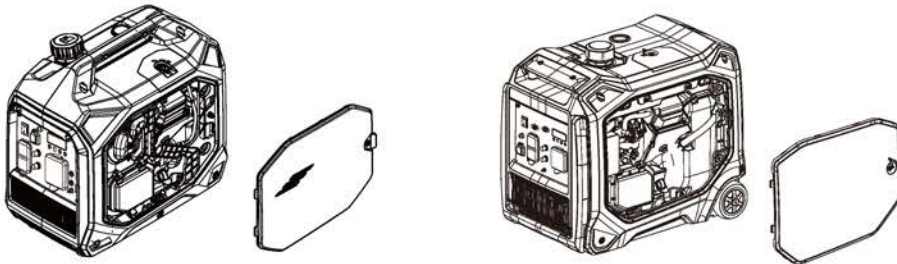
Disconnecting the propane tank

- Turn off the gas valve on the propane tank.
- Pull the collar back on the quick-connect of the LPG hose, and remove the LPG hose from the generator's LP connection.
- Disconnect the LPG hose from the propane tank.

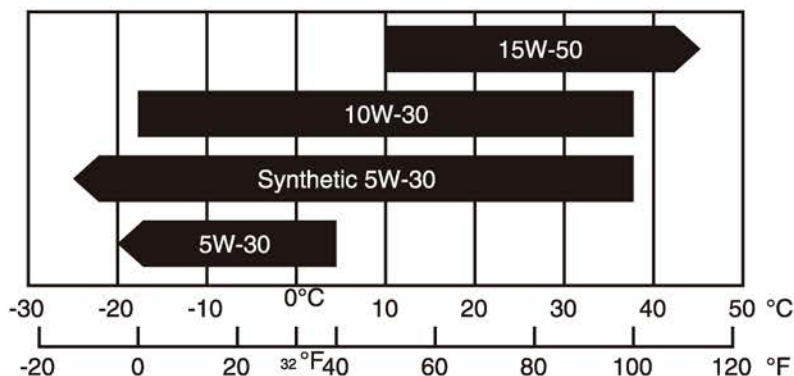
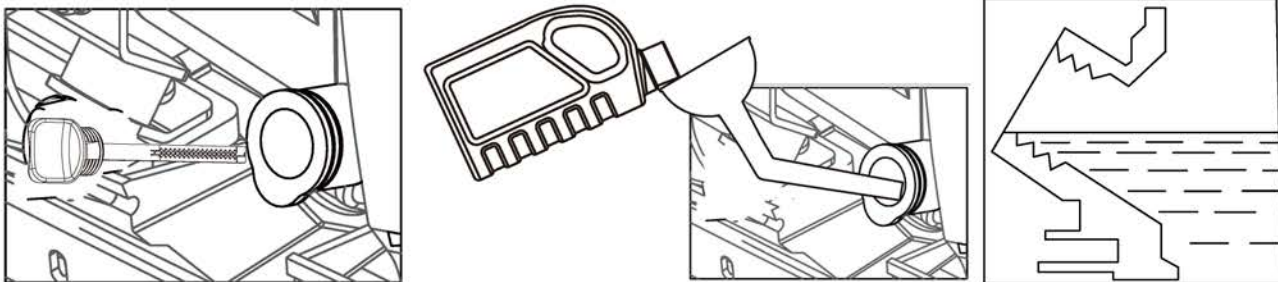
Oil Level

! ALWAYS ensure the machine is on level ground when filling/checking the oil level. This will give the most accurate measurement.

- Remove side Maintenance panel



- Remove the oil filler cap
 - Assemble the funnel and funnel extension.
 - Using either the provided funnel or spouted container, fill the engine with the recommended amount of oil listed as follows:
 - o 70127 – 0.48 qt (0.45 L)
 - o 70126 – 0.63 qt (0.6 L)
- We recommend using SAE 10W-30 grade oil for optimum performance.

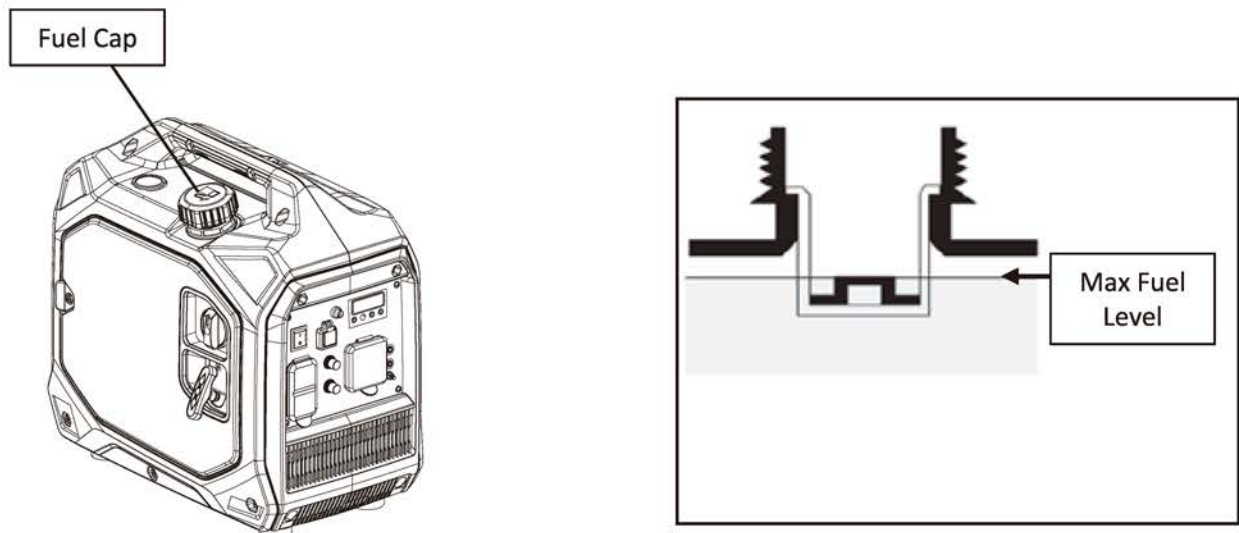


Pre-Operation Checks

Fuel Level

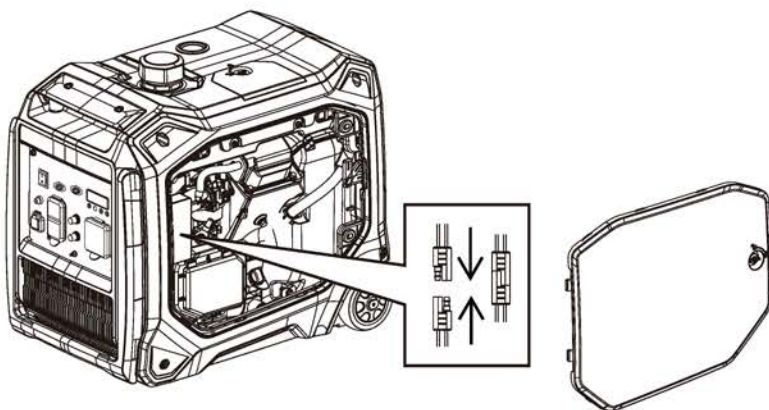
! ALWAYS ensure the machine is on level ground when fueling or checking the fuel level. This will give the most accurate measurement.

- Remove the fuel cap.
- Using a funnel or spouted container, carefully fill with fuel. We recommend using 87 octane non-ethanol gasoline.
- In the top of the fuel tank is the Fuel Level Indicator; fill to level shown below.



Connecting the Battery (if equipped)

- Remove the Maintenance Panel.
- Remove the cover from the battery quick disconnect and the generator's quick disconnect.
- Connect the two quick disconnects.



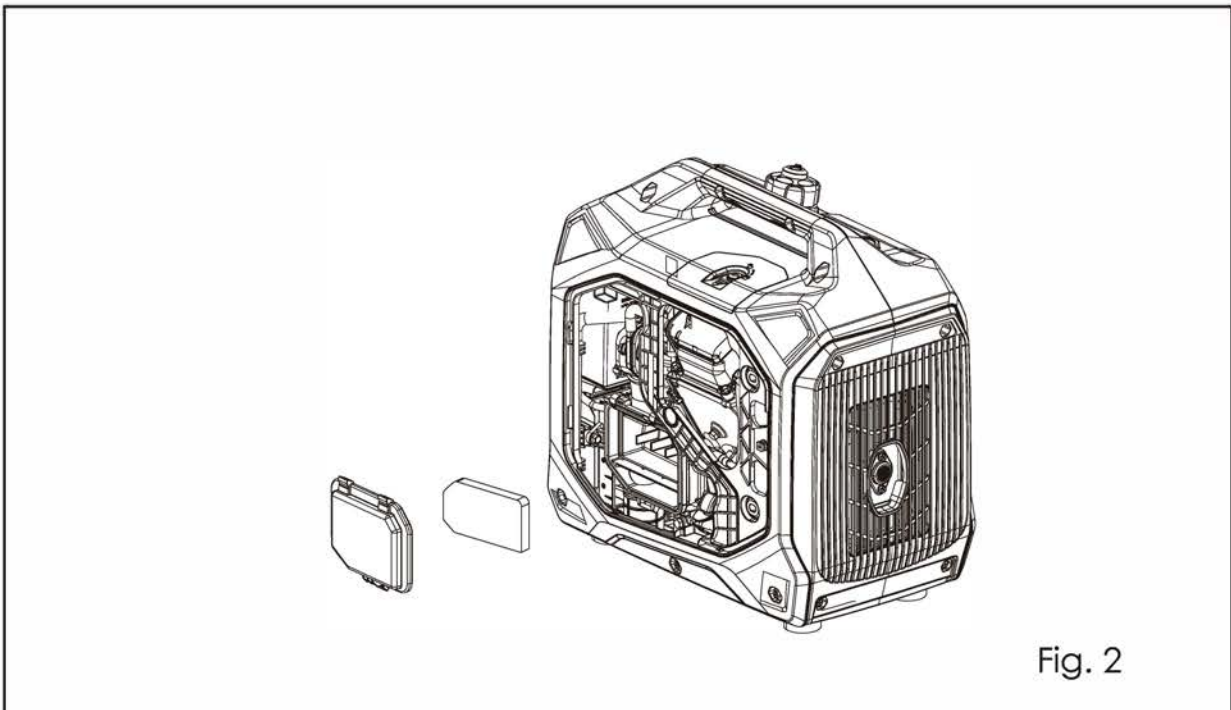
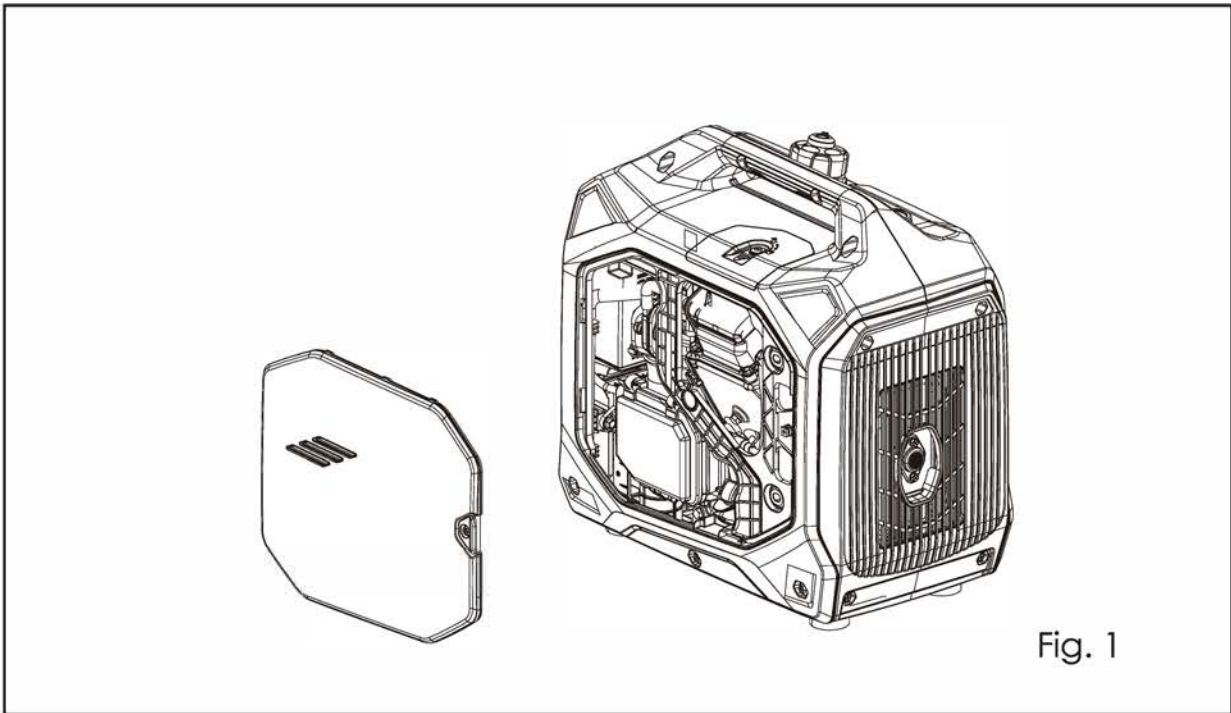
- Close the Maintenance Panel.

Pre-Operation Checks

Air Filter Check

! A dirty air filter will restrict air flow to the carburetor, reducing engine and output performance

- Remove the **Maintenance Panel**
- Remove the snaps retaining the air filter cover (Fig. 1).
- Remove the air filter element (Fig. 2). Inspect for dirt, debris or damage. Clean or replace as required.



Pre-Operation Checks

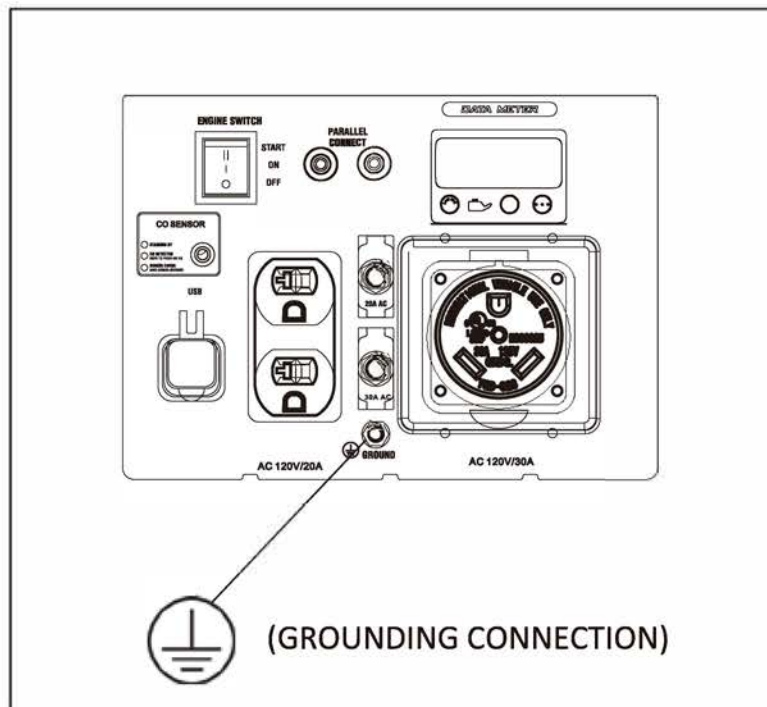
Electrical Unloading

Before starting the generator, make sure there are no devices connected to it.

Machine Grounding

During operation, the generator should be grounded. This is accomplished by connecting the generator ground terminal to a suitable earth ground using a bare copper wire 12awg or larger. Loosen the ground terminal wingnut, wrap one end of the wire around the ground terminal stud then tighten the wingnut.

NEVER use a gas pipe as an earth ground. Only use an installed ground rod (not included) or a metallic cold-water pipe that leads underground.



NOTE - The generator is equipped with a floating neutral conductor.

Operation

Starting

! WARNING ! – YOU MUST READ AND UNDERSTAND THE WHOLE USER MANUAL BEFORE OPERATING THIS MACHINE

! WARNING ! – Your Generator must not be ran in wet condition i.e. Raining or poolside. Always operate in a dry well ventilated area.

1. Rotate the choke control / fuel switch (Fig. 1) to CHOKE.
2. Flip the engine control switch (Fig. 2) to ON.
3. (Manual start) Gently pull the recoil start handle (Fig. 3) until resistance is felt then pull it briskly to start the engine. Return the handle to the generator housing by hand. Do not allow it whip back against the housing as damage may occur.

(Electric start, if equipped) Push the engine control switch (Fig. 2) in the START position until the engine starts. If the engine does not start after five seconds, release the button and allow the starter to cool for thirty seconds before trying once again to start the engine.

4. Once engine is running, rotate the choke control / fuel switch (Fig. 4) to the RUN position.

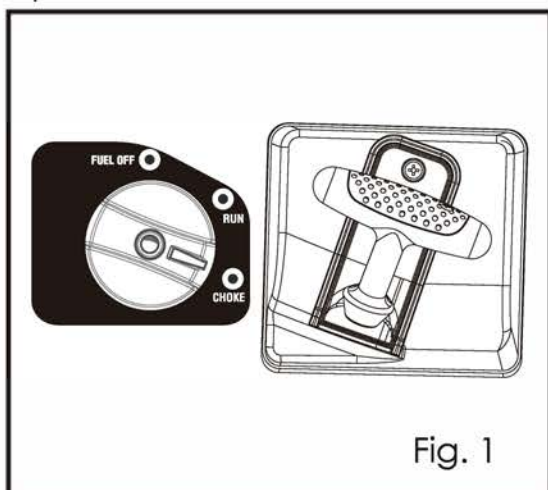


Fig. 1

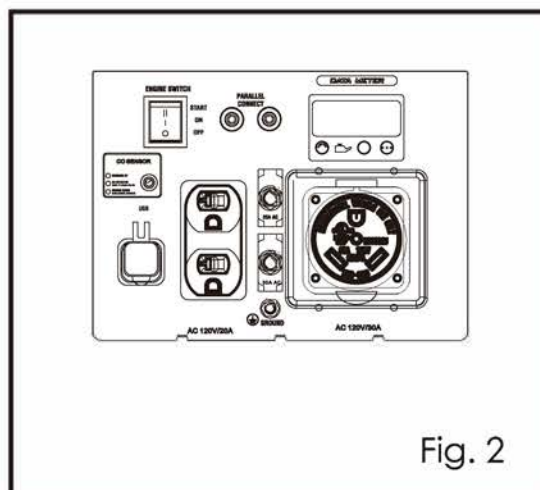


Fig. 2

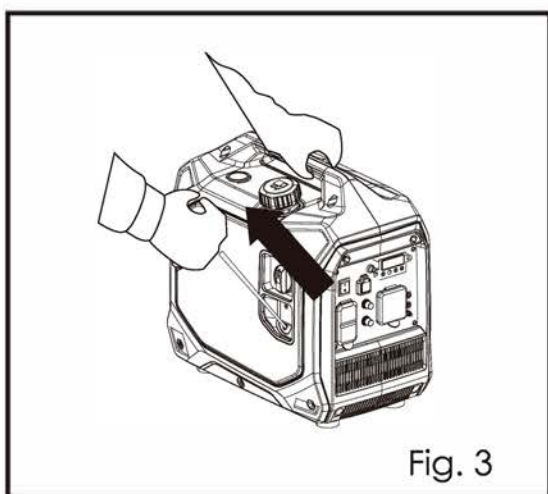


Fig. 3

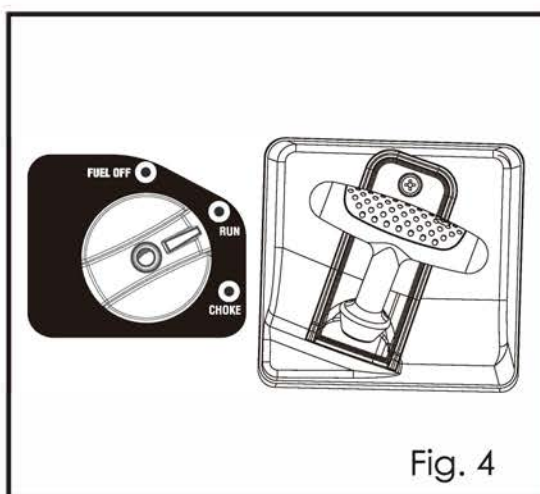


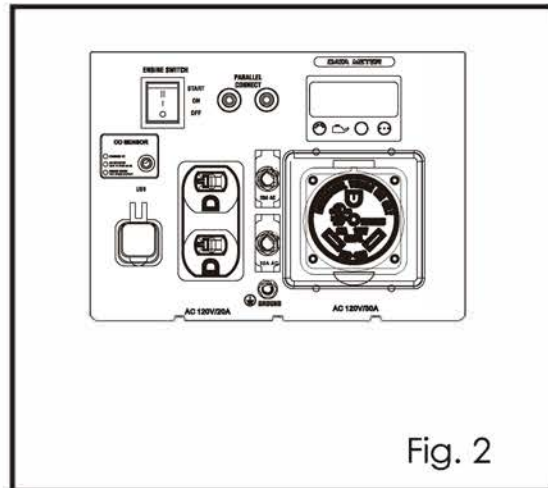
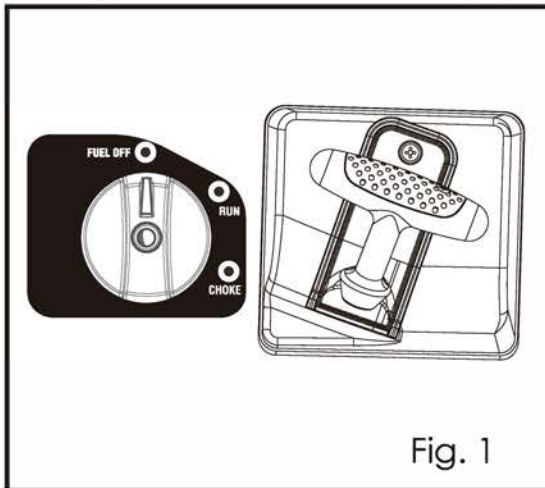
Fig. 4

Operation

Stopping

! WARNING! – IN AN EMERGENCY SITUATION, ROTATE THE CHOKE CONTROL / FUEL SWITCH TO THE OFF POSITION.

1. Turn off all electrical devices connected to the generator, and then disconnect all electrical devices connected to the generator.
2. Rotate the choke control / fuel switch (Fig. 1) to OFF.
3. Flip the engine control switch to (Fig. 2) to OFF.



Operation

Connecting Appliances

! WARNING! – Never connect devices to the generator that are malfunctioning or show signs of wear / damage. Damaged or malfunction devices may cause personal injury and possible damage to the generator.

The rated running watts of the 70127 is 3,500 watts, while the 70126 is 4,200 watts. This is the maximum amount of power the machine can supply, anything over this will cause the machine to stall, and operate outside of stated specification. This can be dangerous and cause damage to your machine.

Start your machine, when the Output Indicator Light is illuminated you can start to connect your devices one at a time.

Connect the plug of the desired device to the generator.

The device is now supplied with electricity and ready for use. To disconnect a device, first turn it OFF then disconnect from the generator.

Connect devices directly to the generator whenever possible. If extension cords are required, they must be rated for outside usage and are of a current carrying capacity that equals or exceeds the rating of the circuit breaker.

Operation

Generator Status Indicators

The 70126/70127 has Output, Overload and Low Oil Warning indicator lights on the Generator Monitor.

Output Indicator – The green output indicator will illuminate when the generator is ready to be used. It will remain illuminated during operation.

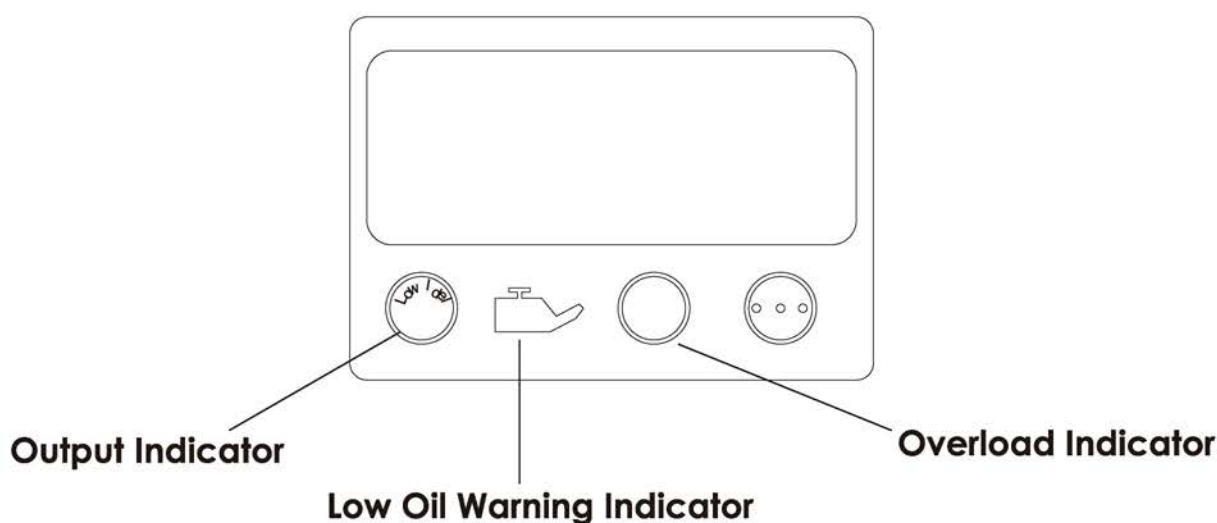
Overload Indicator – The red overload indicator illuminates when the generator is overloaded or a short circuit is encountered. When the overload indicator is illuminated, the electrical output will be turned off even though the engine will continue to run.

To restore power output, remove all connected appliances. Then hold the Reset button for 1 second. If the Overload Indicator turns off and the Output Indicator turns on, the machine is ready to resume operation.

If the Overload Indicator stays illuminated, turn the machine off and check the generator for any damage. If you have any questions, please contact our Customer Service Department by calling 1-877-362-4271 or emailing cservice@fna-group.com

Low Oil Warning Indicator – The Low Oil Warning indicator will illuminate in the event as insufficient amount of oil is detected. This will illuminate before the oil level reaches a critically low amount. Please fill with the correct spec of oil to turn the light off.

If you continue to run the engine with the Low Oil Warning lamp illuminated, the engine can and will be turned off to avoid engine damage. To avoid an inconvenience of the engine stopping unexpectedly, make sure to check the engine oil level before each operating session. Keep the oil level at the FULL mark.



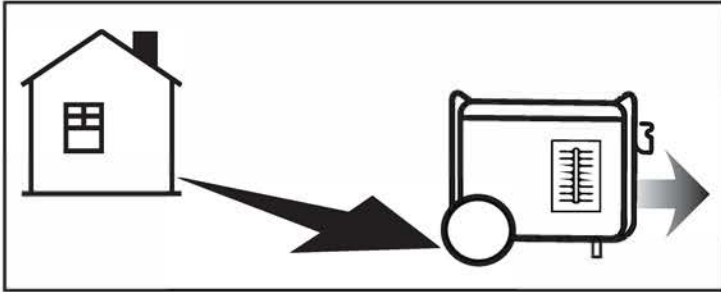
CO Monitor - Carbon Monoxide (CO) Detection and Auto-shutoff System

CO Monitor technology monitors the accumulation of carbon monoxide (CO), a poisonous gas produced by engine exhaust when the generator is running. If CO Monitor detects unsafe elevated levels of CO gas, it automatically shuts off the engine.

CO MONITOR IS NOT A SUBSTITUTE FOR AN INDOOR CARBON MONOXIDE ALARM OR FOR INDOOR OPERATION.

DO NOT allow engine exhaust fumes to enter a confined area through windows, doors, vents or other openings.

Generators must ALWAYS be used outdoors in a well-ventilated area, far away from occupied buildings with engine exhaust pointed away from people and buildings.



If misused and operated in an unapproved and unsafe location that results in the accumulation of poisonous CO gas inside an enclosed or partially enclosed space, for example a house, garage or a garage with the door partially open, CO Monitor will automatically shut off the generator and then will illuminate a blinking red LED light. **Read the action label for next steps.**

In the event of an engine shut off, when you approach the generator to investigate, a blinking **red** LED light in the CO Monitor area provides notification that the generator shut off due to an accumulating CO hazard. The red LED light will blink for at least five (5) minutes after an engine shut off event.

Move the generator far away to an open, outdoor area and point the exhaust away from people and buildings. Once relocated to a safe area, the generator can be restarted, and the proper electrical connections made. Introduce fresh air and ventilate the location where the generator shut off.

When restarting, the red and yellow LED will blink ten (10) times simultaneously to indicate the LED is working.

NOTICE

This blinking LED light does not indicate CO Monitor is working, as CO Monitor is working at all times when the generator is running. Also, the LED light will not blink (10) times if the generator was restarted within 1 minute after it was manually shut off. This does not occur if generator shut off from a high CO event.

If CO Monitor system experiences a fault and no longer provides protection, the generator is shutoff automatically and the **yellow** LED light will blink for at least five (5) minutes to notify you of the fault.

Should the generator continue to shut down, even when moved to another outdoor location, contact customer support at 1-877-362-4271 or email cservice@fna-group.com for further assistance.

NOTICE

CO Monitor will detect the accumulation of carbon monoxide (CO) from other fuel burning sources such as engine powered equipment, or propane heaters used in the area of operation. If another generator is used and the exhaust stream is pointed at a CO Monitor equipped generator, the CO Monitor may initiate a shutoff due to rising carbon monoxide (CO) levels. This is not a fault. Poisonous carbon monoxide (CO) has been detected. You must take action to move and direct the generator exhaust stream to better disperse carbon monoxide (CO) far away from people or buildings.

⚠ DANGER

Tampering with the CO Monitor system will result in a hazardous condition and will void your warranty.

Removing the CO Monitor module will not allow the generator to start.

Maintenance & Care

General Maintenance

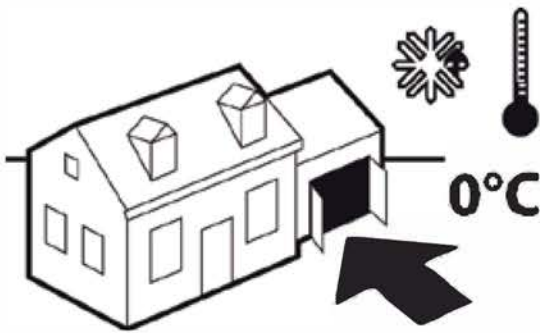
⚠ WARNING! – Disconnect device(s) then turn off the generator and allow it to cool before performing maintenance.

- Keep all nuts, bolts and screws tight to be sure the machine is in a safe working condition.
- Replace worn or damaged parts for safety. Only use manufacturer-recommended parts and accessories.

Storage

⚠ Keep the machine stored in a dry, level area away from damp, moisture and rain fall. Allow the machine to cool down before storing.

- Make sure the machine is clean and dry before storing.
- Make sure the machine is stored away from direct sunlight. Store indoors or in a safe, locked protected area during severe weather and winter months.
- Ensure the machine is stored in a position, where any persons cannot step on to attempt to reach items up high, due to risk of movement.
- DO NOT store the machine near an ignition source, such as a wood stove, gas or electric heater, or an appliance or heater with a pilot light.
- Store the machine out of reach of children or anyone who is not familiar with operation.
- DO NOT stack other items on top of the machine when in storage.



Maintenance & Care

Service Schedule

Item	Task	Each Use	First 10 Hours	Every 50 Hours	Every 100 Hours	Every 300 Hours
Generator	General Inspection	●				
Engine Oil	Inspect Oil Level	●				
	Change		★		★★★	
Air Filter	Inspection	●				
	Clean			●		
Sediment cup	Clean			●		
Spark Plug	Inspect & Clean			●		
	Replace				●	
Spark Arrestor	Inspect & Clean					●
Valve Clearance	Inspect & Adjust				●	
Fuel Tank & Strainer	Clean			●		



After engine break-in period (First 10 Hours) the oil must be changed
Change Engine oil every year or 100 hours, whichever comes first

! NOTE – When using the machine in dusty and dirty areas, the service intervals should be shorten to increase frequency

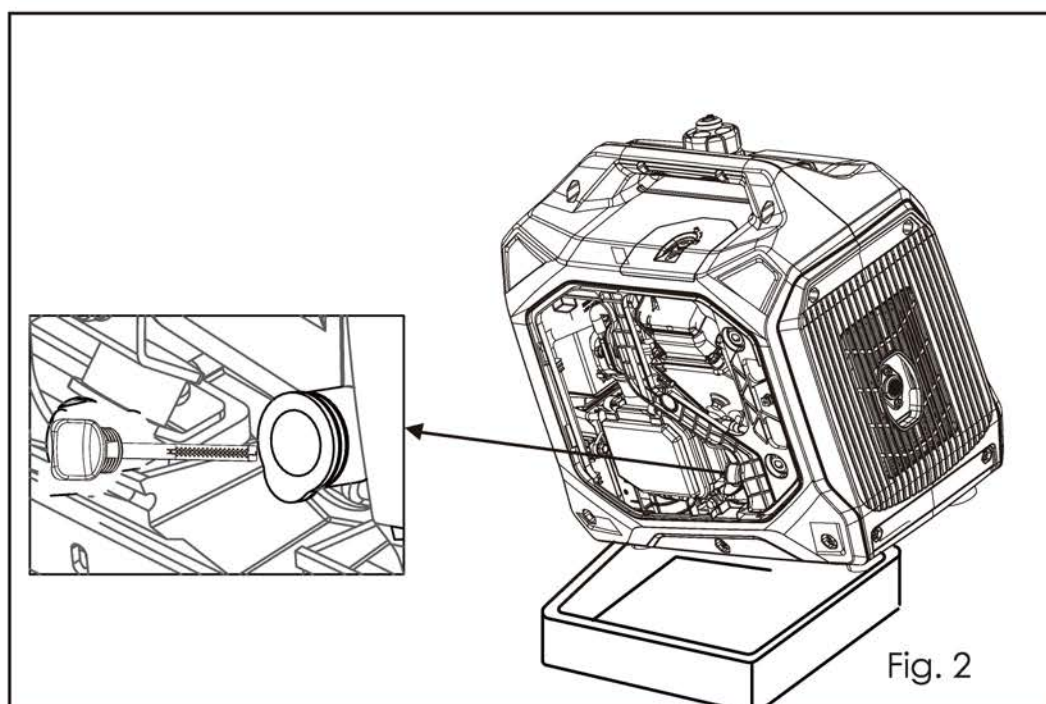
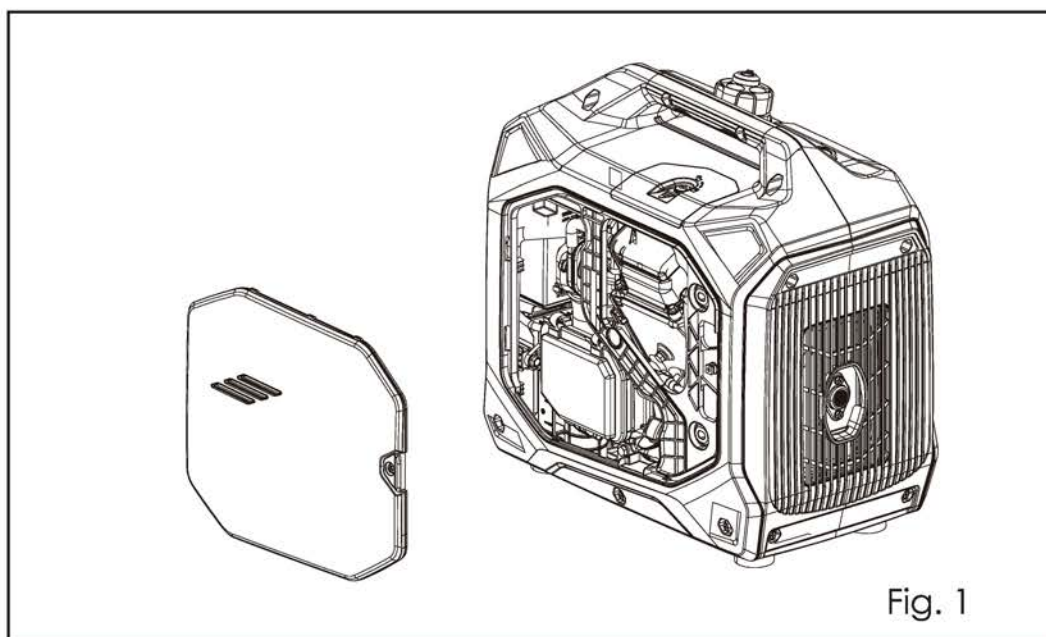
! NOTE – Maintenance should be carried out by qualified technicians or mechanical proficient persons.

Maintenance & Care

Oil Maintenance

! WARNING – When changing the oil, ensure it's warmed. If changing the oil after more than 10 minutes of operation, allow the machine to cool for a short period of time.

- To change the oil, first remove the Maintenance Panel (Fig. 1).
- Place an oil pan below the oil filler cap (Fig. 2). Remove the cap then tilt the machine allowing the oil to flow into the pan. Using paper towel or a rag, wipe up any spilled oil. Dispose of the used oil at an oil recycling facility.
- Follow the instructions on Page 20 on how to replenish the drained oil.

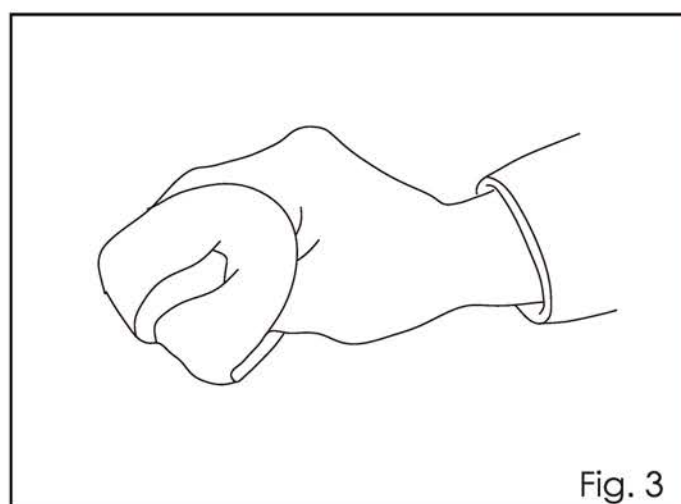
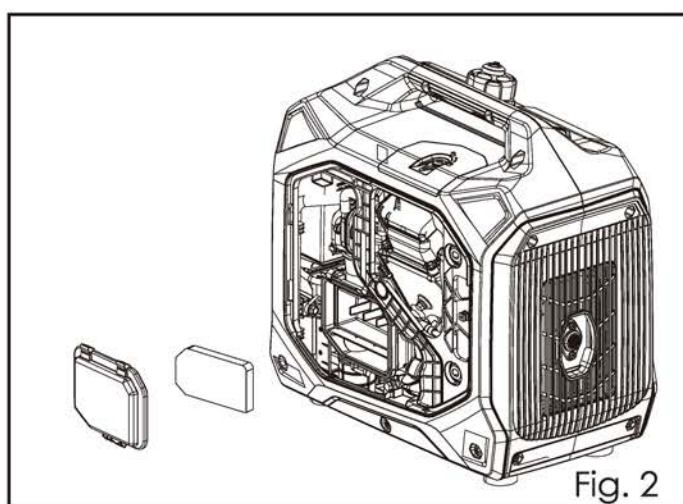
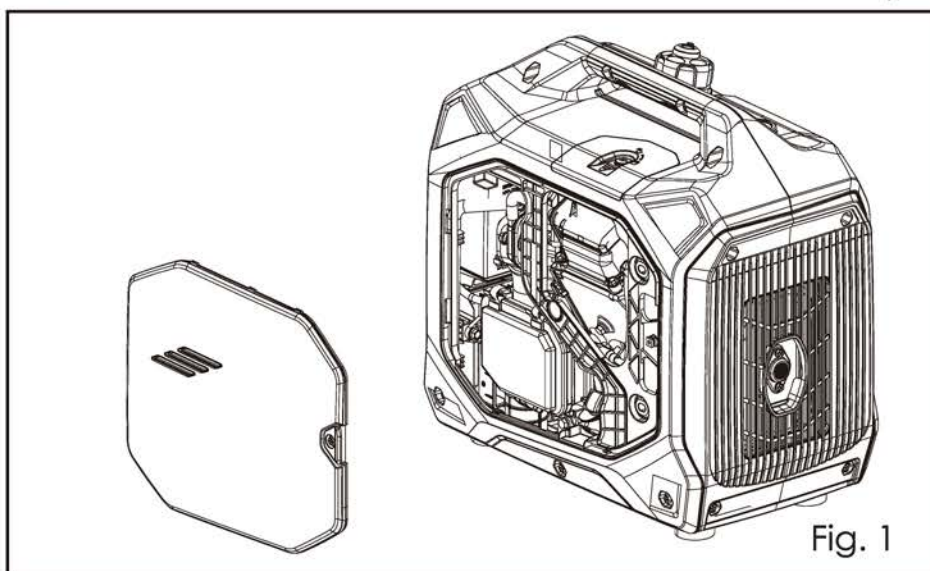


Maintenance & Care

Air Filter Maintenance

! WARNING – NEVER use gasoline or low Ignition point solvents for cleaning. Being highly flammable they can cause fire or explosions when the machine is turned on.

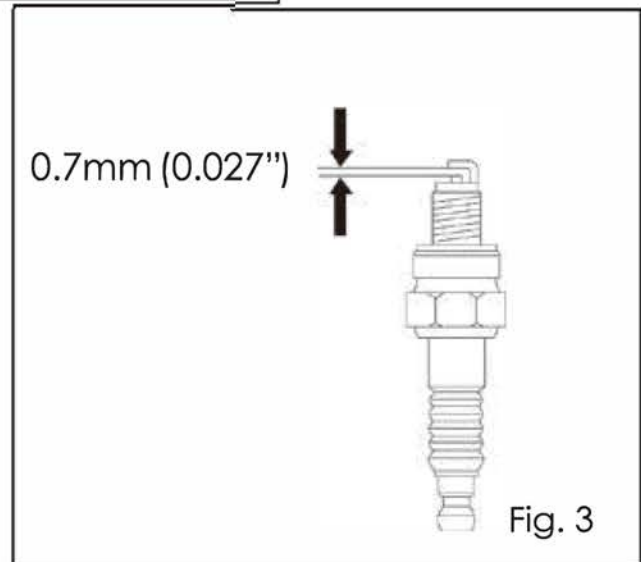
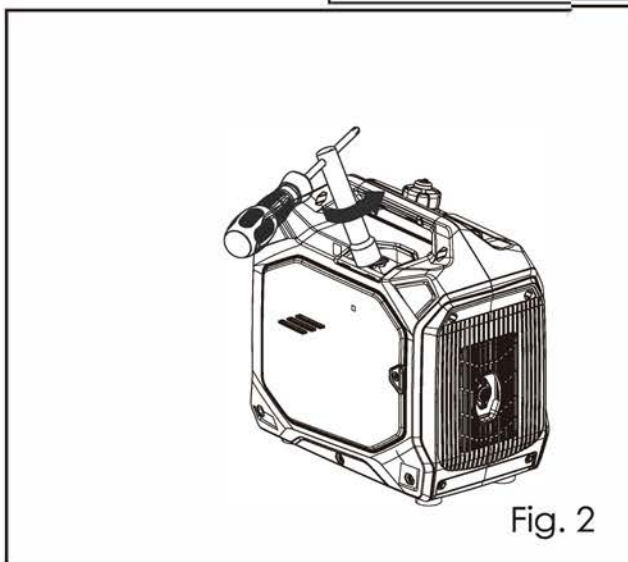
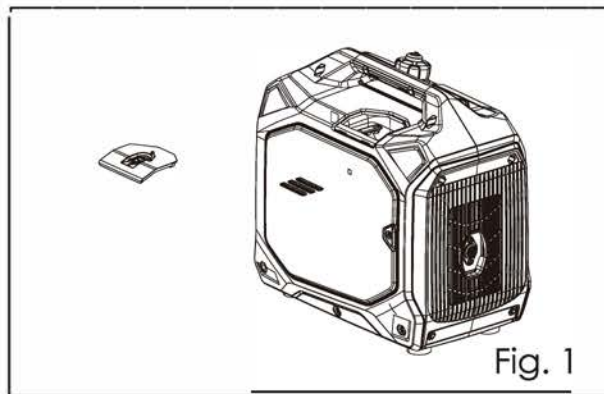
- In order to clean the air filter, begin by removing the maintenance panel (Fig. 1).
- Remove the screw in the air filter cover (Fig. 2). The cover and filter element can now be removed.
- Clean the air filter element with a solution of household detergent and warm water. Rinse the element thoroughly with clean water.
- Allow the filter element to dry thoroughly. Once dry, apply one drop of engine oil to the filter element. Squeeze the element (Fig. 3) to distribute the oil throughout.
- Re-install the Air Filter element, Air filter cover and maintenance panel



Maintenance & Care

Spark Plug Maintenance

1. Remove the spark plug maintenance panel (Fig. 1).
2. Remove the spark plug lead from the spark plug (Fig. 2). Using a spark plug socket and wrench, loosen then remove the spark plug.
3. Visually inspect the spark plug for damage like a cracked insulator. If the spark plug appears to be in usable condition, clean the gap with a soft wire brush.
4. Use a spark plug gauge to measure the plug gap (Fig. 3). You can adjust the gap by adjusting the side electrode. The gap should measure as follows:
0.7mm (0.027")
5. If the spark plug insulator is chipped or cracked, the spark plug must be replaced. Refer to the Technical Data section of the manual for the exact spark plug needed for replacement. Other styles / heat ranges may cause significant engine damage.
6. Hand thread the spark plug into the engine block to avoid cross threading. Using a spark plug wrench or socket, tighten the spark plug. If installing a new spark plug, tighten 1/2 turn after the spark plug seats to compress the washer. If reinstalling a used spark plug, tighten 1/8 - 1/4 turn after the spark plug seats to compress the washer.



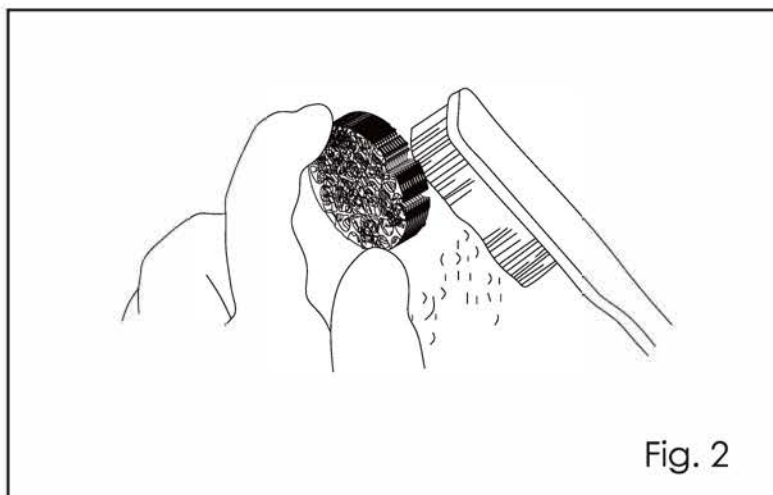
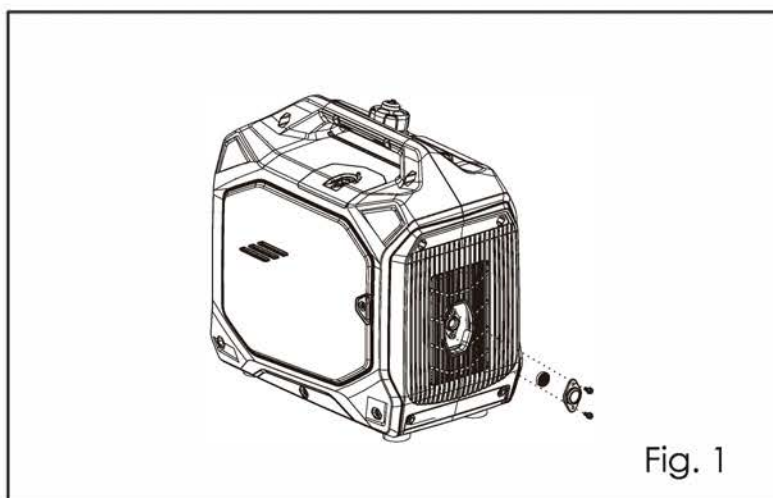
Maintenance & Care

Spark Arrestor Maintenance

! WARNING – Allow the machine to fully cool down before carrying out this maintenance step.

There are two screws (Fig. 1) that can be removed to gain access to the muffler and the spark arrestor.

Remove the muffler and spark arrestor. Using a soft bristle brush, clean deposits from the spark arrestor (Fig. 2). A cleaning fluid may also be used to clean the spark arrestor.



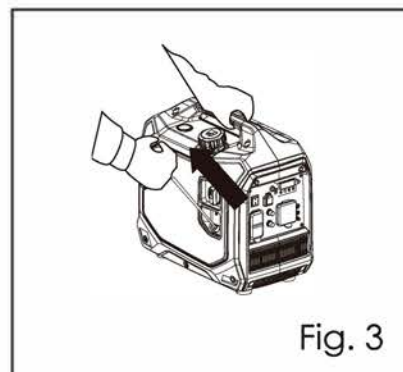
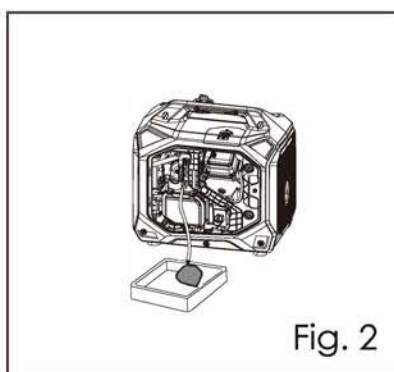
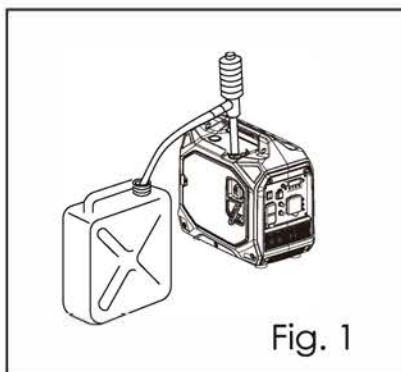
Maintenance & Care

Transportation & Storage

! WARNING – Never store the machine long term, or transport the machine in a vehicle, when it's full of fuel and oil.

! WARNING – When storing the machine long term, it should be in a well ventilated area away from direct sunlight. High temperatures can cause fuel to vaporise which is hazardous to health.

1. Rotate the engine control / fuel switch to OFF.
2. Allow the generator to fully cool.
3. Remove the fuel tank cap. Using a hand pump (Fig. 1) remove fuel from the tank by pumping it into an approved container. Thread the fuel cap onto the tank once completed.
4. To drain the carburetor, remove the drain screw (Fig. 2) to allow the remaining fuel to drain into an approved container. Thread in the drain screw, tighten. Finally, turn the choke control to OFF.
5. Change the engine oil.
6. Remove any dirt and debris from the area around the spark plug, then use a spark plug socket or wrench to remove the spark plug.
7. Pour 0.5 ounces (15ml) of fresh oil into the combustion chamber. Slowly crank the engine by pulling the recoil handle (Fig. 3) two times to distribute the oil and coat the cylinder. Thread in and tighten the spark plug once completed.
8. Place the generator covers back onto the generator body, tighten.
9. Slowly pull the recoil handle until resistance is felt. At this point, the cylinder valves should be closed, keeping moisture out of the cylinder.
10. Wipe the generator down of dust, dirt and debris.
11. Store the generator in a clean, dry area that is out of direct sunlight



Troubleshooting

Machine Troubleshooting

Fault	Cause	Action
The Machine doesn't Start	No fuel	Fill the fuel tank with fresh gasoline.
	Choke control is not set to Choke	Turn the fuel valve to Choke
	The Fuel valve is blocked	Clean carb
	No engine oil or the engine oil level is low	Add oil
	The engine switch is turned off	Turn the switch to the "on" position
	Spark plug is fouled.	Clean or replace the spark plug (refer to page 33)
There is no power output	The circuit breaker is in the off position	Turn the circuit breaker to the "on" position
	The plug is poorly contacted	Remove and refit the plug.
The unit shudders during operation	The choke lever position is incorrect	Move the choke lever to the "Run" position during operation
The unit emits white smoke	The temperature of the engine is too high	Let the engine run without load for more than 10 minutes
	The fuel is contaminated	Use fresh clean fuel
The unit emits black smoke	The choke lever position is incorrect	Move the choke lever to the "Run" position during operation
The unit emits blue smoke	The engine oil is overfilled	Drain oil to correct level
	The engine oil type is incorrect	Choose appropriate engine oil type
	The generator overturned allowing oil to flood the combustion chamber.	With the generator sitting upright, allow the oil to flow back into the oil sump before starting the engine.
Engine power decreases over time.	Spark plug is fouled.	Clean or Replace Spark Plug
	The valve clearances are out of tolerance.	Adjust the Valve Clearances

Technical Data

Specification	
Model	70127
Engine Spec	4-Stroke OHV Single cylinder air cooled.
Engine Displacement (cc)	181cc
Engine Speed (RPM)	4300-4800
Ignition System	CDI
Spark Plug	F7RTC
Spark Plug Gap	0.7mm (0.027")
Starting System	Recoil
Fuel Type	Unleaded gasoline
Oil Capacity	0.48 qt (0.45 L)
Oil	SAE 10W30
Frequency	60Hz
Rated Voltage	120V
Rated Current	Running: 26.6A / Starting: 31.6A
Peak Output (W)	4375
Running Output (W)	3500
DC Ouput	12V 8.3A
Fuel Tank Volume	1.27 gal (4.8 L)
Continuous Running Time	6 hours @ 50%
Sound Power Level @ 7 metres	65-70dB (A) @ 25%
Dimensions mm (LxWxH)	19.29x12x18.5 inches (490x305x455mm)
Net Weight	52.75 lbs (24 kg)

Technical Data

Model	70126
Engine Spec	4-Stroke OHV Single cylinder air cooled.
Engine Displacement (cc)	181cc
Engine Speed (RPM)	4300-4800
Ignition System	CDI
Spark Plug	F7RTC
Spark Plug Gap	0.7mm (0.027")
Starting System	Recoil/Electric
Fuel Type	Unleaded gasoline
Oil Capacity	0.63 qt (0.6 L)
Oil	SAE 10W30
Frequency	60Hz
Rated Voltage	120V
Rated Current	Running: 26.6A / Starting: 31.6A
Peak Output (W)	5250
Running Output (W)	4200
DC Ouput	5V 1A/2.1A
Fuel Tank Volume	2 gal (7.5 L)
Continuous Running Time	3.5 hours @ 50%
Sound Power Level @ 7 metres	62-72dB (A) @ 25%
Dimensions mm (LxWxH)	21.45x14.37x19.4 inches (545x365x495mm)
Net Weight	68.34 lbs (30.5 kg)

Environmental Protection

1. Environmental protection should be a priority of considerable importance when using the machine, for the benefit of both social coexistence and the environment in which we live. Try not to cause any disturbance to the surrounding area.
 2. You must comply with local regulations and provisions for the disposal of packaging, oils, fuel, filters, damaged parts or any elements which have a strong impact on the environment. This waste must not be disposed of as normal waste. It needs to be separated and taken to specified waste disposal centres where the material will be recycled.
 3. When disposing, do not pollute the environment with the machine, but hand it over to a disposal center, in accordance with the local laws in force.
-

Limited Warranty

FNA Group, warrants to the original retail purchaser that this outdoor product is free from defect in material and workmanship and agrees to repair or replace, at FNA Group's discretion, any defective product free of charge within these time periods from the date of purchase.

THREE years if the product is used for personal, family or household use.

This warranty extends to the original retail purchaser only and commences on the date of the original retail purchase.

Any part of this product found in the reasonable judgment of FNA Group to be defective in material or workmanship will be repaired or replaced without charge for parts and labor by an authorized service center for outdoor products.

The product, including any defective part, must be returned to an authorized service center within the warranty period. The expense of delivering the product to the service center for warranty work and the expense of returning it back to the owner after repair or replacement will be paid by the owner. FNA Group's responsibility in respect to claims is limited to making the required repairs or replacements and no claim of breach of warranty shall be cause for cancellation or rescission of the contract of sale of any outdoor product. Proof of purchase will be required by the dealer to substantiate any warranty claim. All warranty work must be performed by an authorized service center.

This warranty does not cover any product used for rental or commercial purposes, or any other income-producing purpose

This warranty does not cover any product that has been subject to abuse, misuse, neglect, negligence, accident, the effects of corrosion or erosion, or that has been operated in any way contrary to the operating instructions as specified in this operator's manual. This warranty does not apply to any damage to the product that is the result of improper maintenance or to any product that has been altered or modified. The warranty does not extend to repairs made necessary by normal wear or by the use of parts or accessories which are either incompatible with the outdoor product or adversely affect its operation, performance, or durability.

In addition, this warranty does not cover:

Tune-ups - Spark Plugs, Carburetor, Carburetor Adjustments, Ignition, Filters, Oil Change

Wear items - Recoil Starter Rope, Motor Brushes, Alternator Brushes, Cotter Pins, Wheels, Gaskets, Valves, Pistons, O-Rings, Oil Seals.

ALL IMPLIED WARRANTIES ARE LIMITED IN DURATION TO THE STATED WARRANTY PERIOD. ACCORDINGLY, ANY SUCH IMPLIED WARRANTIES INCLUDING MERCHANTABILITY, FITNESS FOR A PARTICULAR PURPOSE, OR OTHERWISE, ARE DISCLAIMED IN THEIR ENTIRETY AFTER THE EXPIRATION OF THE APPROPRIATE THREE-YEAR WARRANTY PERIOD.

FNA GROUP'S OBLIGATION UNDER THIS WARRANTY IS STRICTLY AND EXCLUSIVELY LIMITED TO THE REPAIR OR REPLACEMENT OF DEFECTIVE PARTS AND FNA GROUP DOES NOT ASSUME OR AUTHORIZE ANYONE TO ASSUME FOR THEM ANY OTHER OBLIGATION. SOME STATES DO NOT ALLOW LIMITATIONS ON HOW LONG AN IMPLIED WARRANTY LASTS, SO THE ABOVE LIMITATION MAY NOT APPLY TO YOU.

FNA GROUP ASSUMES NO RESPONSIBILITY FOR INCIDENTAL, CONSEQUENTIAL, OR OTHER DAMAGES INCLUDING, BUT NOT LIMITED TO, EXPENSE OF RETURNING THE PRODUCT TO AN AUTHORIZED SERVICE CENTER AND EXPENSE OF DELIVERING IT BACK TO THE OWNER, MECHANIC'S TRAVEL TIME, TELEPHONE OR TELEGRAM CHARGES, RENTAL OF A LIKE PRODUCT DURING THE TIME WARRANTY SERVICE IS BEING PERFORMED, TRAVEL, LOSS OR DAMAGE TO PERSONAL PROPERTY, LOSS OF REVENUE, LOSS OF USE OF THE PRODUCT, LOSS OF TIME, OR INCONVENIENCE. SOME STATES DO NOT ALLOW THE EXCLUSION OR LIMITATION OF INCIDENTAL OR CONSEQUENTIAL DAMAGES, SO THE ABOVE LIMITATION OR EXCLUSION MAY NOT APPLY TO YOU.

This warranty gives you specific legal rights, and you may also have other rights which vary from state to state. This warranty applies to this outdoor product manufactured by FNA GROUP and sold in the United States and Canada.

To locate your nearest Authorized Service Center, dial 1-877-362-4271 or email cservice@fna-group.com.

Product Record

Information

As soon as you have purchased the machine, we recommend that you fill out the following. If you need to contact an authorized dealer or customer service for information on servicing, you may need to provide the following information.

Date Of Purchase:.....

Dealer Name:.....

Dealer Phone:.....

Model Number:.....

Serial Number:.....



Copyright © 2026 FNA-Group, Inc. All rights reserved.
FNA Group, Inc.
7152 99th Street
Pleasant Prairie, WI 53158