

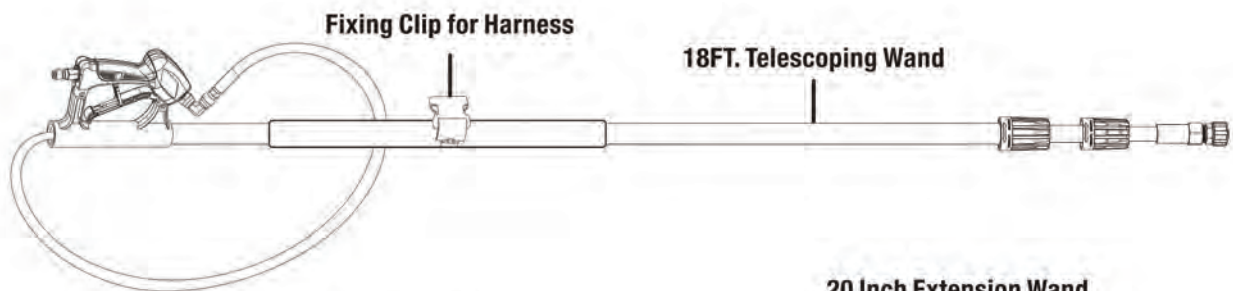
ASSEMBLY AND OPERATION INSTRUCTION

18 Ft. Telescoping Wand With Harness

Specifications

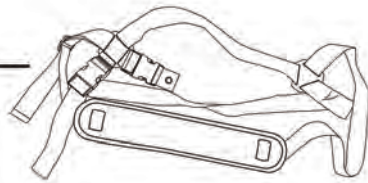
| | | | |
|--------------|---------|-----------|-------------|
| Max Pressure | 4000psi | Max Temp. | 140°F |
| Max Flow | 8gpm | Sections | 3-Aluminium |

Package Contents



Optional Accessories

Harness
#414015



Safety Information

1. **BEWARE OF** overhead power lines. Contacting these lines with the long wand may result in electrocution, injury, or even death.
2. **ALWAYS** shut down pressure washer/water supply and depressurize before removing or cleaning accessories.
3. **WEAR** safety glasses when operating unit.
4. **NEVER** point spray nozzles or guns at humans or animals. **NEVER** place any body part in the water stream.
5. **SERIOUS INJURY** can result from the high pressure discharge produced by pressure washers. **TO PREVENT** accidental discharge from the gun, **ALWAYS** use the trigger lock when you've finished spraying.
6. **HARNESS** is not intended to provide any back support.
7. **MAKE SURE** all connections are secure. Hold the gun securely while starting pressure washer unit.
8. **WHEN** operating pressure washer, **ALWAYS** stand on a permanent, stable surface. **DO NOT** stand on ladders, chairs, etc.
9. **BEFORE** changing out tips, **MAKE SURE** the pressure washer has been turned off and depressurized. The collar on the quick disconnect socket will snap back into its original forward locking position when tip is inserted correctly.
10. **DO NOT** fully extend the telescoping wand. A minimum of 6 inches must remain inside section of the wand for stability.

IMPROPER OPERATION OR MAINTENANCE OF THIS PRODUCT COULD RESULT IN SERIOUS INJURY AND PROPERTY DAMAGE OR DEATH. READ AND UNDERSTAND ALL WARNINGS AND OPERATION INSTRUCTIONS BEFORE USING THIS PRODUCT. WHENEVER USING TOOLS, BASIC SAFETY PRECAUTIONS SHOULD ALWAYS BE FOLLOWED TO REDUCE THE RISK OF PERSONAL INJURY.

Installation And Operation Instruction



Before beginning assembly, installation or operation of product, make sure all parts are present. Compare parts with package contents list. If any part is missing or damaged, do not attempt to assemble, install or operate the product.

- Estimated Assembly Time: 10 minutes
- Tools Required for Assembly: 1 in. Adjustable Wrench and pipe thread tape (not included)

1. WAND & EXTENSION WAND CONNECTION

Screw female end of telescoping wand (A) onto the male end of the extension wand (B) and hand tighten.

2. QUICK DISCONNECT SPRAY TIP CONNECTION

Pull back on socket collar on extension wand (B) and insert spray tip (not included), or pull out to remove, then release collar.

3. GUN & QUICK DISCONNECT HOSE CONNECTION (If applicable)

Pull back on socket collar on hose (not included) and insert the quick plug, or pull out to remove, then release collar.

4. GUN & METRIC HOSE CONNECTION (If applicable)

Attach adapter (C) to the telescoping wand (A). Attach hose (not included) to the adapter (C). *Note: the adapter (C) is not included with this model.*

5. ADJUST WAND LENGTH

5.1 Extend The Wand: Twist grey knobs on telescoping wand (A) to **LOOSEN** and then pull to extend to desired length. Turn knobs in opposite directions to **FASTEN**. **NOTE:** When fully extended, each section should have approximately 6" - 8" remaining for support into the next section of pole.

5.2 Retracting The Wand: **LOOSEN** the knobs and slide the extension segment into the wand until the desired length and **FASTEN** the knobs to hold in place.

IMPORTANT: Over tightening the knobs can cause damage.

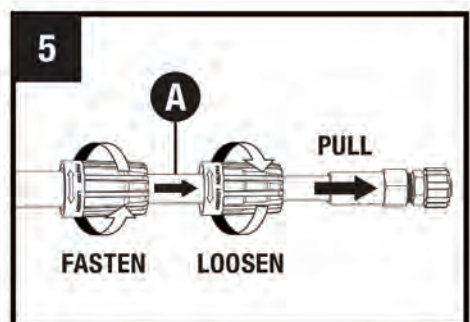
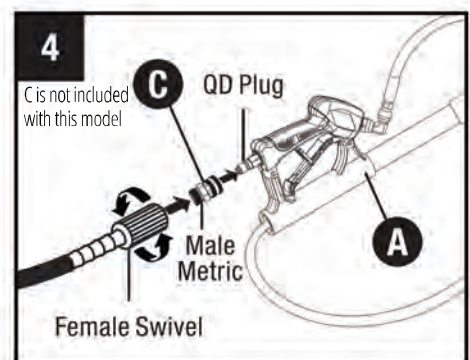
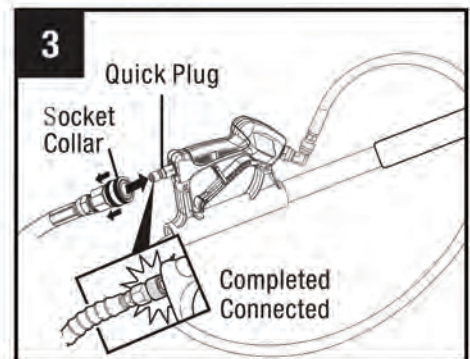
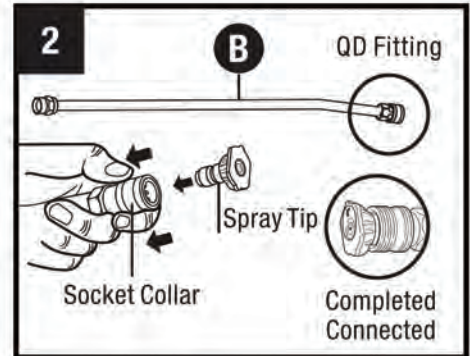
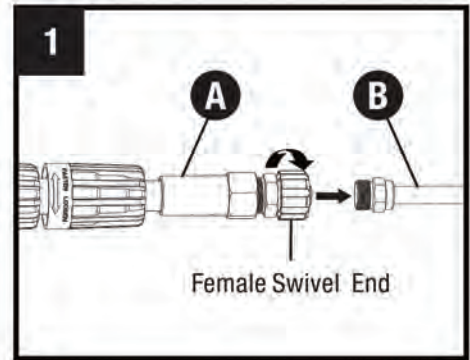
6. START SPRAYING

- 6.1. Start the pressure washer.
- 6.2. Raise the wand and keep the nozzle at least ten feet away from the surface to be cleaned. Keep the extension wand clear of power lines.
- 6.3. Squeeze the trigger to begin spraying, maintain stable footing, and move the wand in to the surface to be cleaned.

7. STOP SPRAYING

Before releasing the trigger gun move the nozzle at least ten feet away from the surface being cleaned and make sure you have solid footing. The wand will rebound when the trigger is released or if pressure is lost.

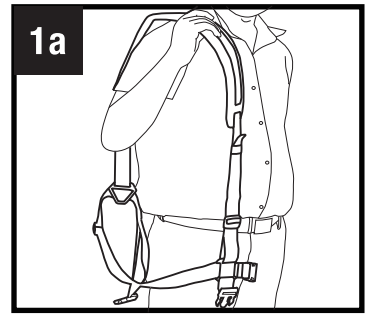
CAUTION: when working on or near fragile surfaces as there may be enough force to damage surfaces or break windows. Keep clear of power lines.



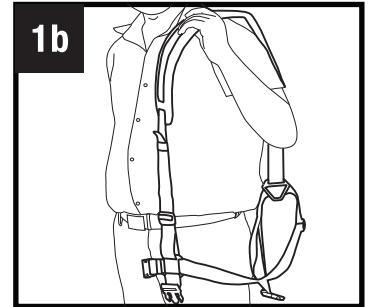
Harness Wear Instruction (If Applicable)

1. Place padded shoulder strap on your left shoulder.

1.a Choose this step for **LEFT** handed operators.

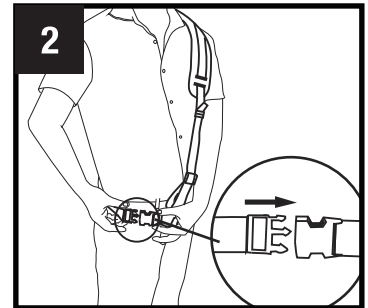


1.b Choose this step for **RIGHT** handed operators.



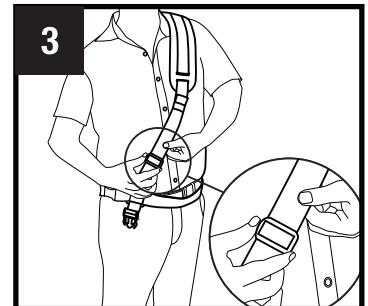
2. Wrap waist belt around waist and fasten buckle.

Buckle should rest against the right side of your torso as you look down.

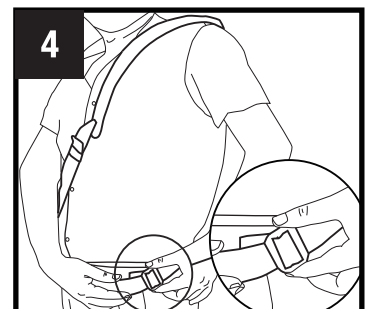


3. Adjust shoulder strap to position waist belt at desired height.

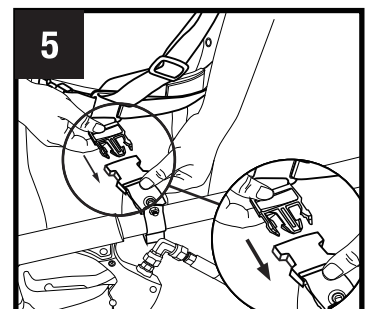
NOTE: It is recommended that the harness be located between your waist and chest. This will allow for better support and control when using the wand.



4. Tighten the waist belt.



5. Fasten wand adapter to telescoping wand and connect buckle to support belt.



Care And Maintenance

To promote longer life of accessories, run clean, fresh water through them and then turn off pressure washer and water supply. Depressurize by squeezing the gun trigger until all of the water has been drained out of the unit. Accessories can now be disconnected safely for storage in a cool, dark area. If debris exists after connection, clean before storing.

Troubleshooting

| PROBLEM | PROBABLE CAUSE | SOLUTION |
|-------------------------|--|--|
| Connections leak | <ol style="list-style-type: none">1. Loose connections2. Sealant worn3. O-ring is worn | <ol style="list-style-type: none">1. Retighten fittings2. Reapply pipe tape3. Replace O-ring |
| Unit won't spray | <ol style="list-style-type: none">1. Unit power / water supply off2. Unit is clogged | <ol style="list-style-type: none">1. Consult owner's manual2. Reverse flush unit with water |
| Knobs won't turn | <ol style="list-style-type: none">1. Overtightened | <ol style="list-style-type: none">1. Spray lubricant on threads inside of knobs |

Further instructions



DANGER

ELECTRIC SHOCK HAZARD

- Do not use on or near electrical wiring of any kind.
- Keep at least 10 feet (3 meters) away from power lines.
- Do not touch or aim spray at electrical wiring of any kind.
- Do not operate from ladders or elevating devices of any kind.
- Operator must maintain both feet on solid ground.